



Assembly and Installation Instructions
for
Premier Three-Season Sunroom
Deluxe Three -Season Sunroom
Under
Dura-Lock or Dura-Therm



Read the instructions before starting the job. They explain the steps required to produce a finished product that will meet factory specifications.

All references to "Left" and "Right" are while facing the home.

Check the material received.

Match your shipment with the Bill of Materials.

If there is a shortage or wrong material,
call Dealer Service immediately.

Safety is important!

Wear Safety Glasses and Work Gloves.








Follow all safety practices while assembling
and installing this product.

Dura-Bilt Products, Inc. P.O. Box 188 Wellsburg, N.Y. 14894

Dealer Service 570-596-2000 E-Mail info@durabilt.com

DURA-BILT RESERVES THE RIGHT TO CHANGE DESIGN AND/OR SPECIFICATIONS WITHOUT NOTICE.

Fasteners

Fastener	Description
	1/4" - 20 X 1-1/2" Bolt & Locking Nut
	#12 X 2" Slotted Hex Head Screw
	#10 X 1" Hex Head Screw
	#12 X 3/4" Self Drilling Screw
	#8 X 1/2" Self Drilling Screw
	Plastic Lag Shield
	#10 X 1-1/2" Flat Head Phillips Screw (They come with the threshold)

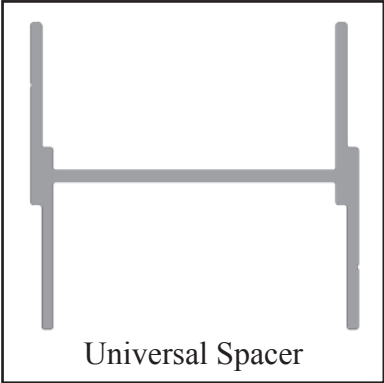
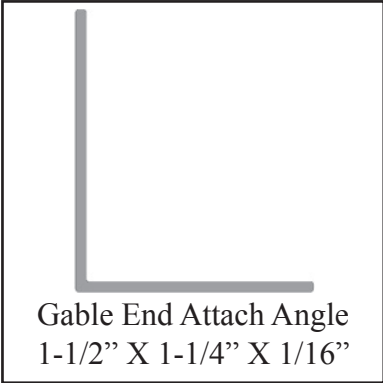
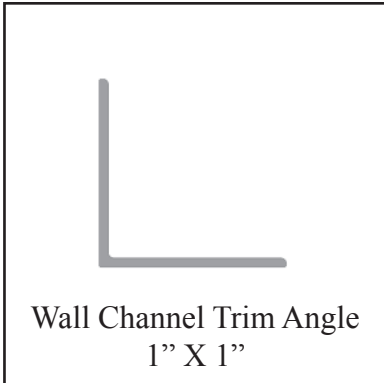
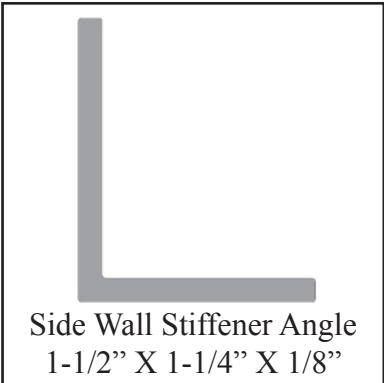
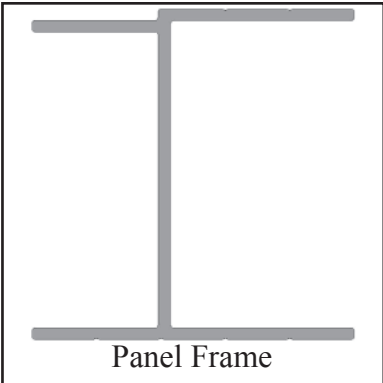
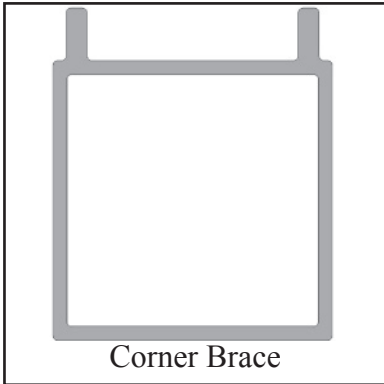
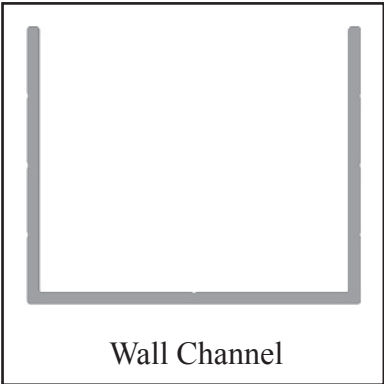
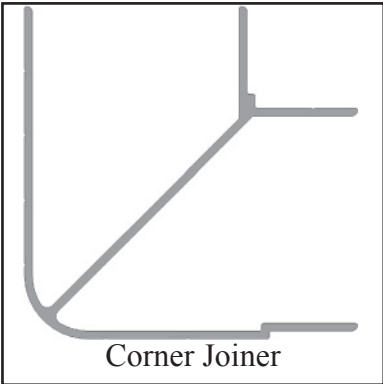
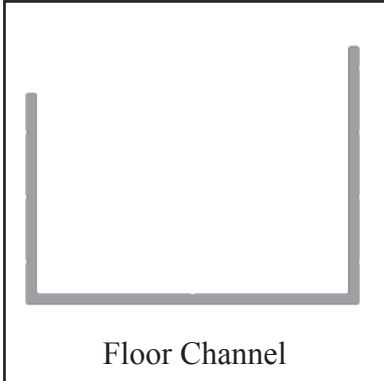
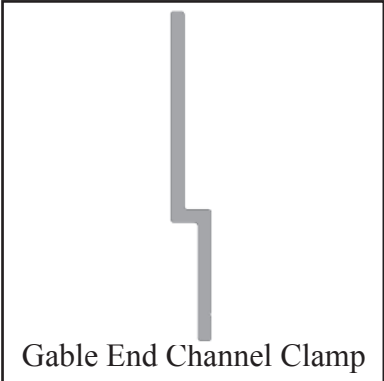
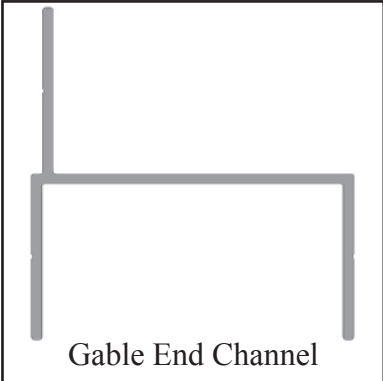
Tools Required

Cordless Drill Tape Measure Metal Saw Level Chalk Line Clamp Hammer
 Utility Knife Caulk Gun Silicone Lubricant Spray

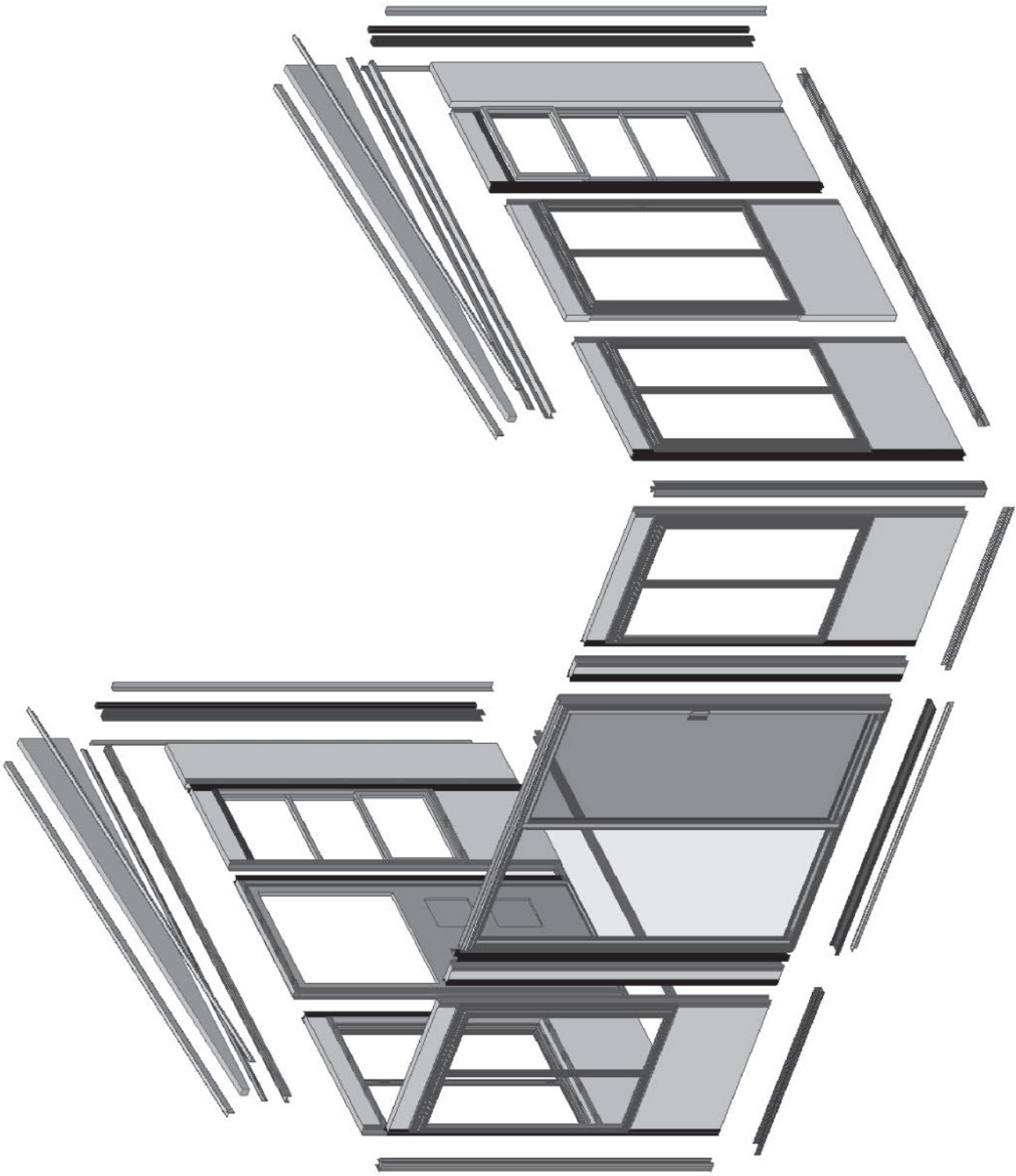
Nut Driver Bits with Magnetic Head: 1/4" - 5/16" - 7/16"

Drill Bits: 13/64" - 1/4" Masonry

Component Descriptions



The Universal Spacer is used for 1" increment variations in the walls.



Room Assembly

Installation Basics

The installation is completed in three stages.

- 1. Stage One:** Layout and install Floor Channel, Mounting Rail and Wall Channel.
- 2. Stage Two:** Install the Wall and Door Panels.
- 3. Stage Three:** Install Roof and Gable Ends.

It is suggested that you read these instructions completely before starting the job. They detail the steps in each of the three stages of the project.

All references to ‘Left and ‘Right are while you are facing the room from outside the room.

As in all quality construction, key elements are to be kept square, level and plumb. This is especially critical with the Floor Channel and Wall Channel. Taking the time to install these correctly will help avoid problems later in the project.

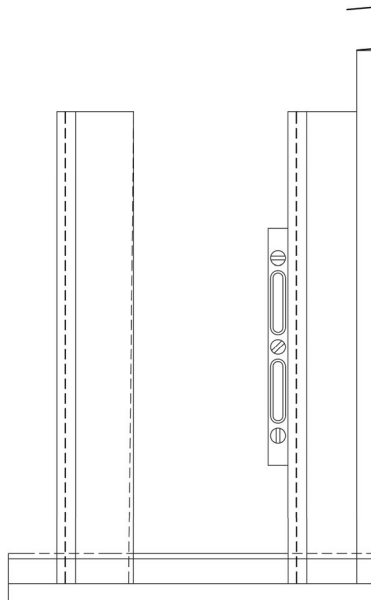
Because of the wide variety of patio, porch and deck floors, it is left to the judgment of the job contractor on how best to level the Floor Channel.

The length of Front Wall is distance between the outside edge of the Side Floor Channels. Length of the Side Walls is from the back of the Wall Channel to the front of the Floor Channel. The measurements in your Project Planner are these outside measurements.

*If you are installing a Dura-Bilt Roof and Deluxe Three-Season Room at the same time, the Mounting Rail is to be installed in Stage One. Establishing the Mounting Rail location is covered in these instructions. However, you must follow the Dura-Therm or Dura-Lock instructions for proper Mounting Rail installation procedures.

If the roof is already installed, it is necessary to raise the front of the roof several inches above the final height of the room wall. Brace the roof solidly in position. Remove any Roof Post Assemblies not needed. If the existing Front Header will interfere with the Deluxe Front Header, it must be removed. New screws are provided for the new Deluxe Front Header.

Because you may encounter out of plumb home walls or some growth in the side walls of the room, the two Starter Panels will give you the flexibility to position them within the wall channel or to cut down their width, if necessary.



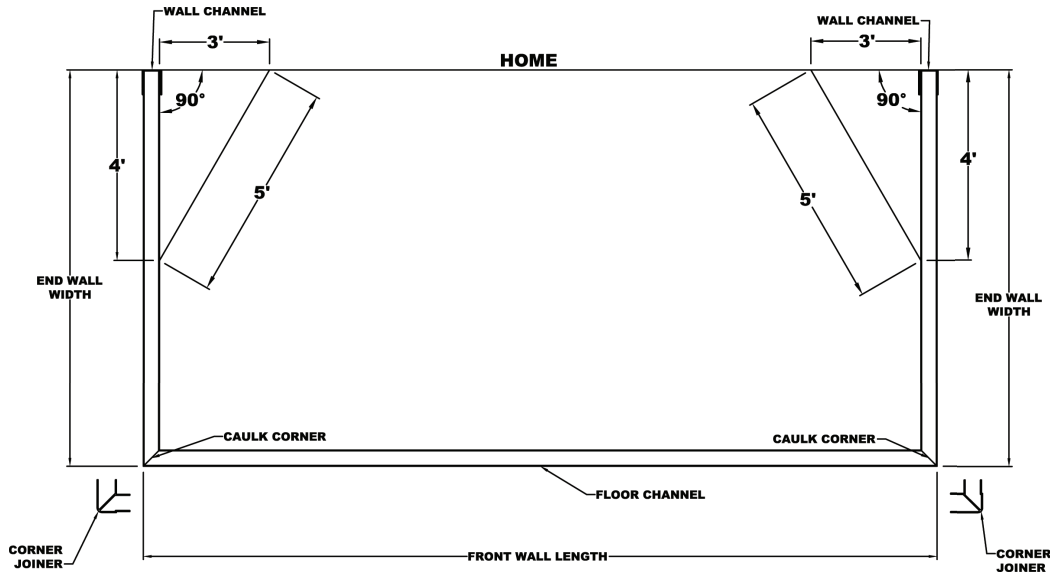
Stage One

Marking Floor Channel Locations

1. Find the previously determined location of the back Right Corner of the room. Mark that location on the home at the deck level.

Get the length of the Right Side Wall from the Project Planner in your Installation Package. Mark this dimension on the deck with a chalk line.

Helpful Hint: Use the 3' x 4' x 5' triangle method to make sure your wall is at a right angle to the home. See Drawing.



2. Determine the location of the back Left Corner of the room. (Use the Front Wall Length given in your Project Planner as a guide.) Mark the Left Side Wall with a chalk line the same way you marked the Right Side Wall.

It is important to use the 3' x 4' x 5' triangle method again to be sure your Left Side Wall is at a right angle to the home.

3. Measure distance between front corners. It must be the same dimension as in your Project Planner. Then snap a chalk line to mark the Front Wall.

Marking Wall Channel Locations

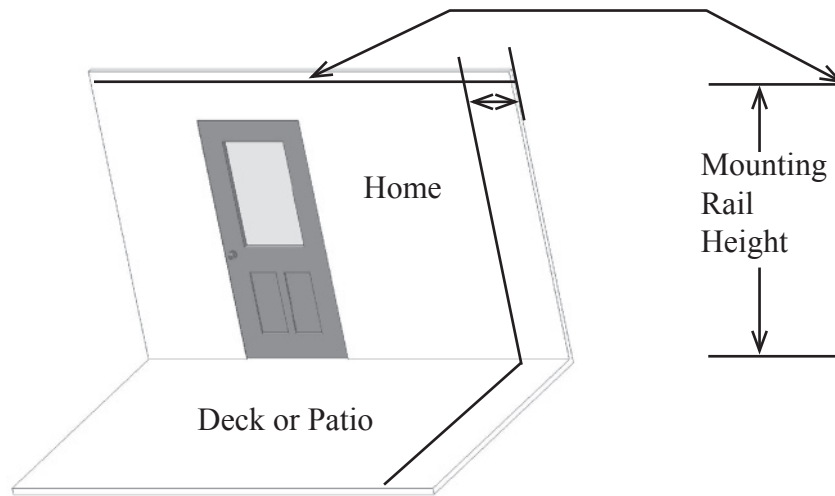
1. At the Back Right Corner location of the room, use a carpenter's level and a long straight edge to continue the line on the deck up the Right side of the home.

2. Refer to your Project Planner for the Mounting Rail height provided when this order was placed. Otherwise refer to the Mounting Rail Height Chart in the Roof Installation Instruction Book. Then mark the point where bottom edge of the Mounting Rail will be located. See Drawing at top of Page 6.

3. Move to the Back Left Corner of the room and repeat process used in Step 1 of Marking Wall Channel Locations.

Mounting Rail Location

1. If you are installing a Dura-Bilt Roof and Deluxe Three-Season Room at the same time, the Mounting Rail is installed first. Read the appropriate installation instructions (Dura-Therm or Dura-Lock) for the proper procedure.



Attaching Mounting Rail for Roof

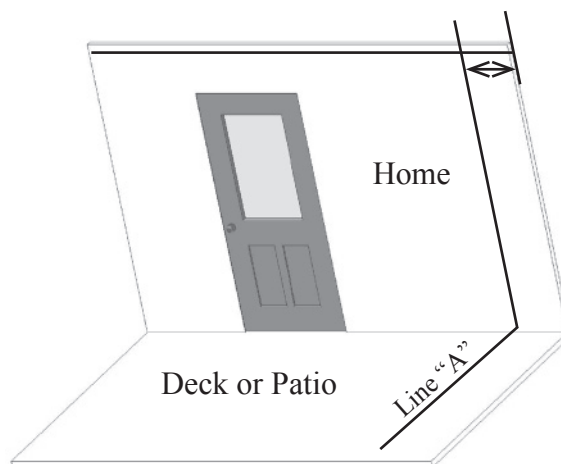
Follow the instructions provided with the Dura-Bilt Roof you are installing.

Install Floor Channel

Measure, cut and miter the Floor Channel sections.

Note: If you are installing a room that **Does Not** have a solid panel at the home wall, see **page 12**.

Place Right Side Floor Channel sections on deck with outside of the Floor Channel aligned with Line "A" established in Step 1, Page 5. High side of the Floor Channel is to be inside room.



Continue laying out the Front and Left Side Floor Channel sections. Then make sure that the Floor Channel dimensions agree with measurements given in the Project Planner.

Floor Channel Continued on Next page

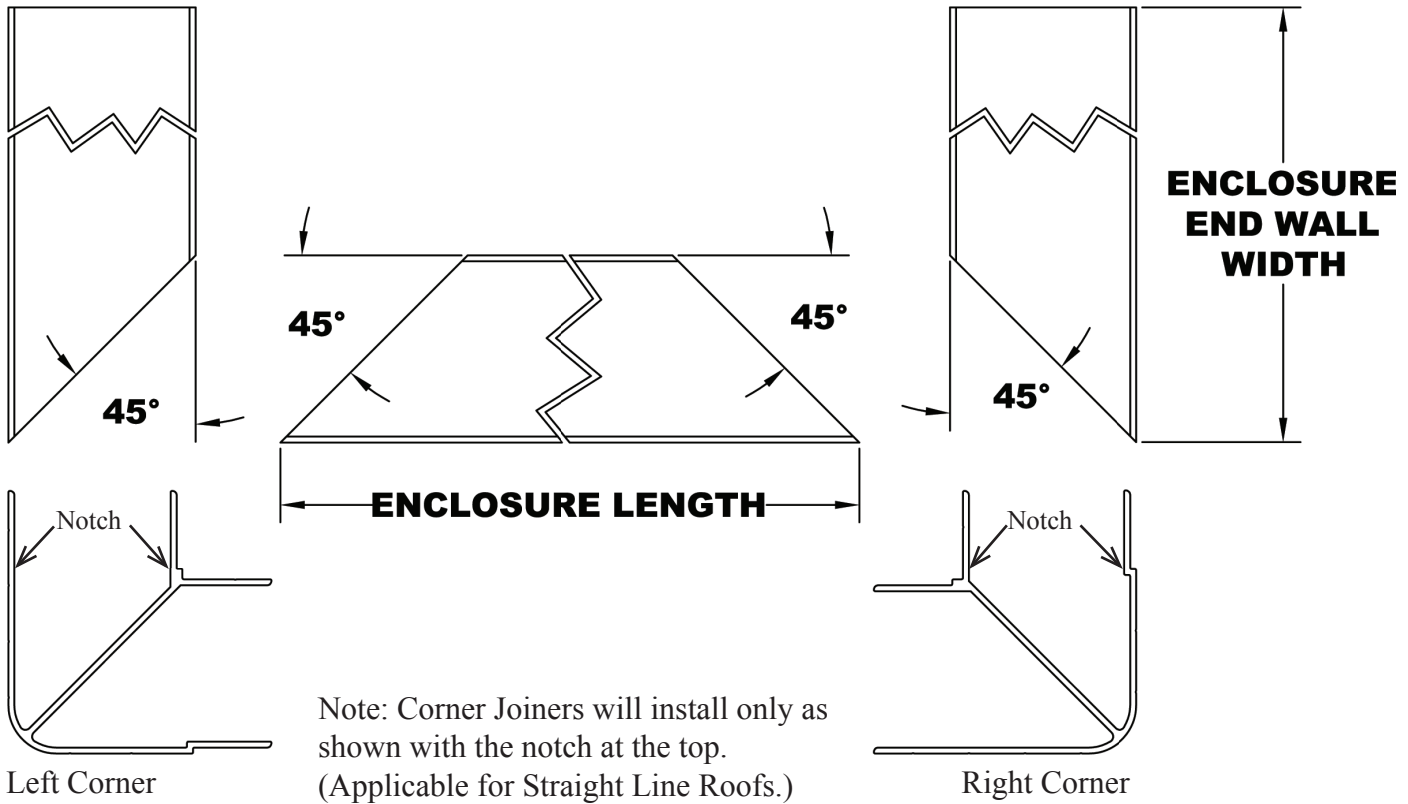
All reasonable efforts must be made to make all the Floor Channel level.

Caution: The mitered Corner pieces must match perfectly because the vertical Corner Joiner extrusion will be a tight fit in both directions in the floor channel.

All Channel joints must butt tightly together.

Helpful Hint: Place a long straight edge against edge of separate sections of Channel to assure perfect alignment. When the Floor Channel positioning is correct, you are ready to fasten Floor Channel to deck.

The cut out for the swinging door will be made after the door is located.



Drill 13/64" holes in Floor Channel every 12 inches.

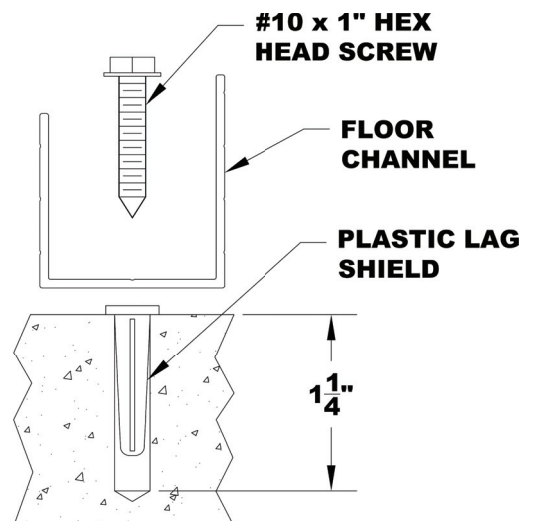
Wood Deck: Caulk the underside of the Floor Channel covering all of the drilled holes and mitered corners. You must use the #10 x 1" hex head screws with the Magni 599 coating supplied by Dura-Bilt every 12 inches.

Concrete Patio: 1. Use Floor Channel as a pattern to mark screw locations on concrete.

2. Remove Channel and use a 1/4" masonry drill bit and drill holes 1-1/4" deep.

4. Hammer Plastic Lag Shields into holes.

5. Caulk the bottom of the Floor channel then Replace Floor Channel over the Plastic Lag Shields and Fasten with #10 x 1" screws.



Install Wall Channels

Note: If you are installing a room that **Does Not** have a solid panel at the home wall, see **page 13**.

Use the following procedure to install both Left and Right Wall Channels after Floor Channel has been installed.

1. Cut the Wall Channel so it will fit between Floor Channel and underside of Mounting Rail.

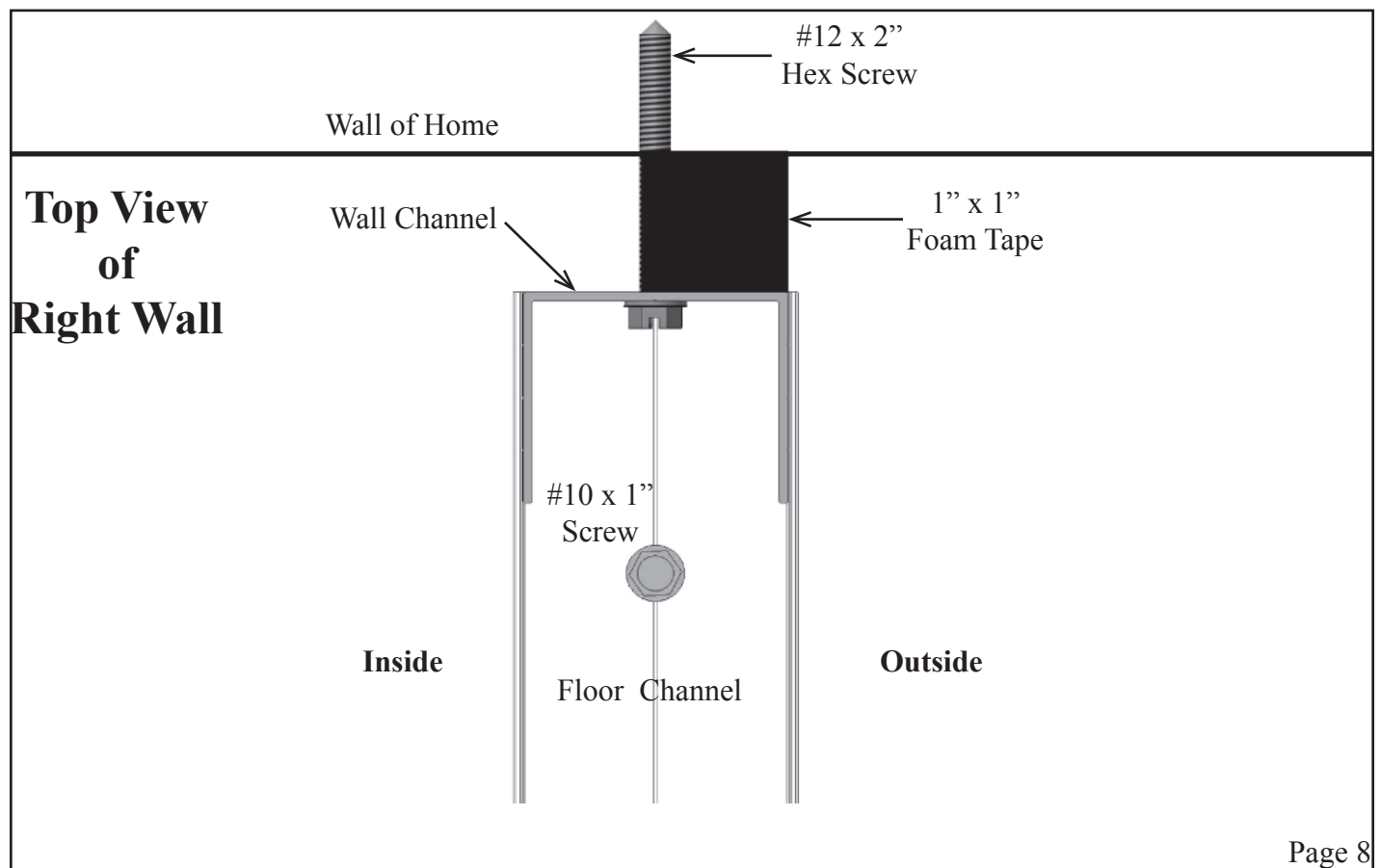
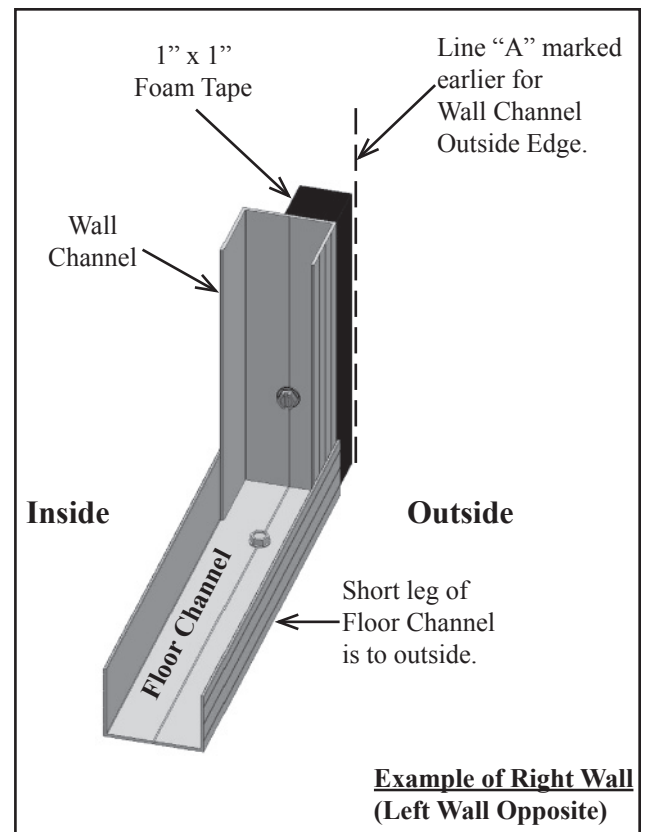
Note: The Wall Channel fits inside the Floor Channel

2. Drill $13/64$ " holes starting 2" up from the bottom and spaced 18" to 24" apart.
Final hole 2" from top.

3. Apply a strip of 1" x 1" foam tape **on the back** of the Wall Channel along the full length of **edge**. **See Drawing.**

4. Position outside edge of Wall Channel so it is on the Line you marked on side of home.

5. Attach to home with #12 x 2" hex screws.
See Drawing below.



Stage Two

Basics of The Wall and Door Panel Assembly

Wall, Door and Solid Panels have factory installed Panel Frames on each unit. You will be slipping the Panel Frames of the Panels together and fastening them with screws to build the walls of the room. (Sliding Glass Door Frames and Panel Frames are assembled at the job site.) Instructions for Sliding Doors are in a separate instruction.

Occasionally these instructions will make references to your Right or Left. It is important that you remember these are based on your being outside facing the room.

Please observe that the Panel Frames have one side or “leg” that has an inset while the other leg is flat. The Panel Frame leg with the inset will always be on your Right. The inset will slide behind the flat Panel Frame Leg of the adjacent panel.

Helpful Hint: Your layout sheet provides the measurements of each wall Panel. Before beginning installation of Wall Panels, take a few moments to mark location of the panel joints on the floor next to the Floor Channel. This is an easy guide to make sure the wall is not “growing” or “shrinking” as you proceed with the installation. The Solid Panels in each wall are there to provide the flexibility to correct any wall growing or shrinking beyond acceptable limits.

Installation of Wall Panels

These instructions are written on the basis of starting the installation with the Right Wall. You may start with the Left Wall of the room. However, this could cause confusion because the Left and Right references in these instructions are based on starting with the Right Wall.

Also, the room is designed to be installed working to a swinging door or a corner, depending on the placement and type of Wall and Door Panels. This “Keystone” concept results in a room that is solidly locked together when completed.

For most installations you would (1) start at the home and work to the front corner, (2) work across the front wall to the other corner. (3) Continue from the corner installing the other side wall to a swinging door. (4) Then move to the home and work back to the door. With a swinging door as the last panel you install, it provides the flexibility to complete the last wall of the room.

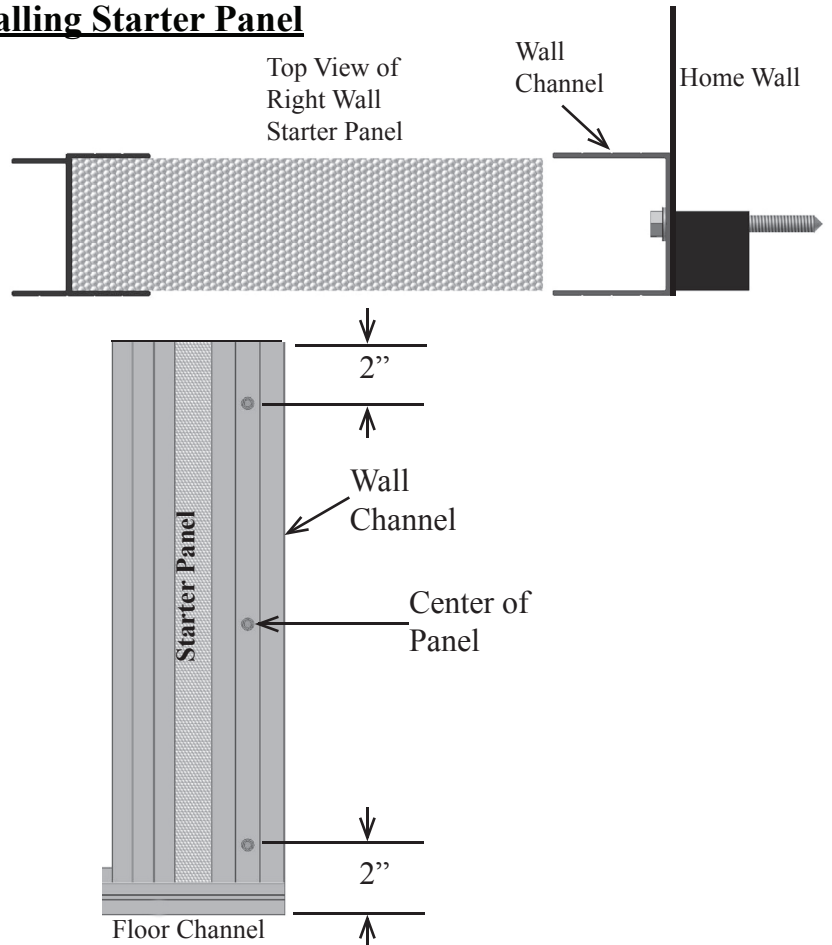
Another option is: (3) Move to the home and install the other side wall to the corner. (4) Slide the Corner Joiner into position by inserting into Panel Frames about one-half or two-thirds of the way up the wall and then sliding it down-and-in to its final position.

Installing Starter Panel

1. You can begin installing Wall Panels at either Right or Left Wall Channel.

This instruction starts at the Right Wall Channel with the Right Starter Panel. This panel has a Panel Frame on one edge, start the other edge (without the Panel Frame) into the Wall Channel. Seat the Panel in the Floor Channel. Do not fasten Starter Panel in Wall Channel at this time.

2. Following your Project Planner, insert Panel Frame of the next Panel into the Panel Frame of the first Panel just installed. Insert to the stops of the Panel Frame. Fasten Panel Frame at top, center and bottom of both inside and outside of Panel Frame using #8 x 1/2" self-drilling screws. **Do not** install screws in Floor Channel at Panel Frame until Corner Joiner has been installed.

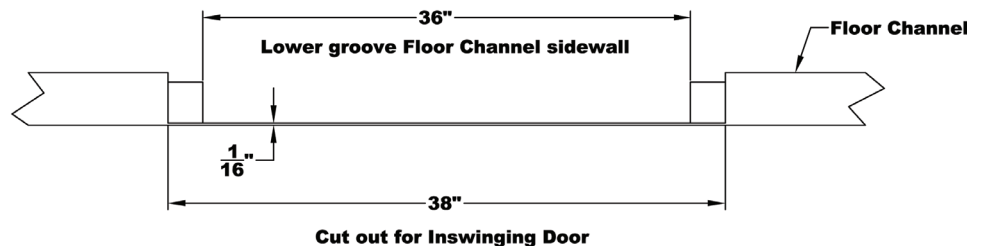


1. Before installation of the Door Panel, the Floor Channel Side Walls must be cut for the Door opening. As indicated below, the door hinge side of the Floor Channel is cut slightly larger to accommodate the door swing. Locate Door Panel and mark sides of Floor Channel accordingly. Remove Door Panel and cut side walls of Floor Channel as marked.

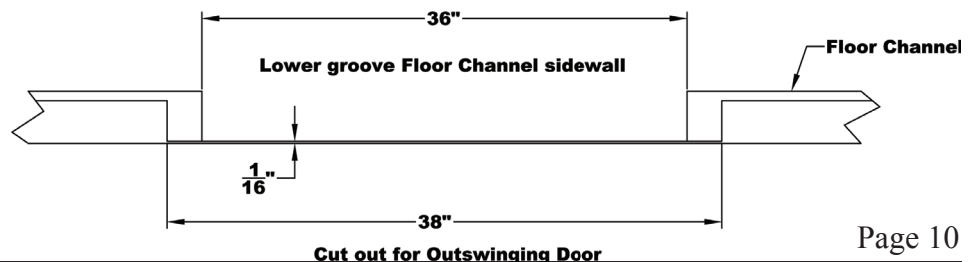
2. Continue installing Panels by positioning each Panel, or Corner Joiner, so its legs will slide over legs of Panel already in place.

3. Illustration on next page shows Enclosure Side Wall installed. View from top shows Frame overlap. Door Panel(s) will install in the same way shown for Window Panels.

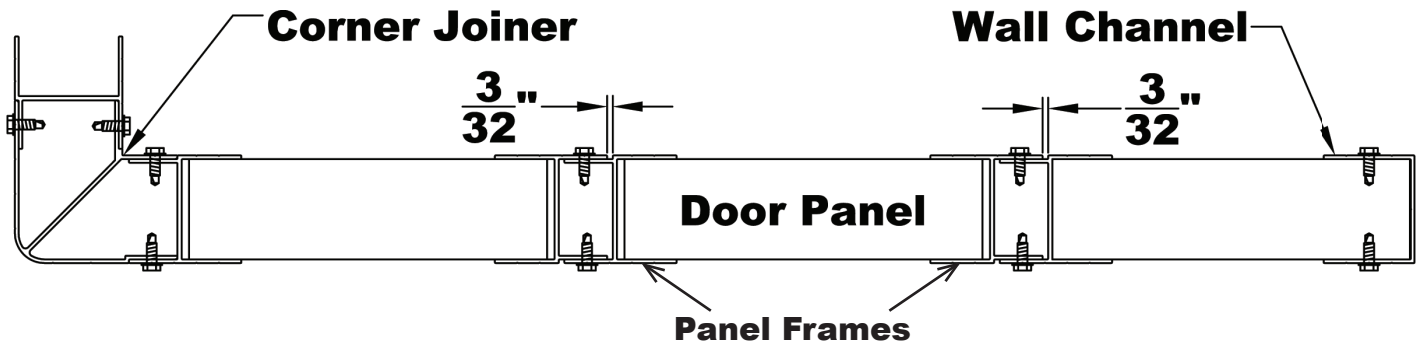
View from
inside
Enclosure



View from
outside
Enclosure



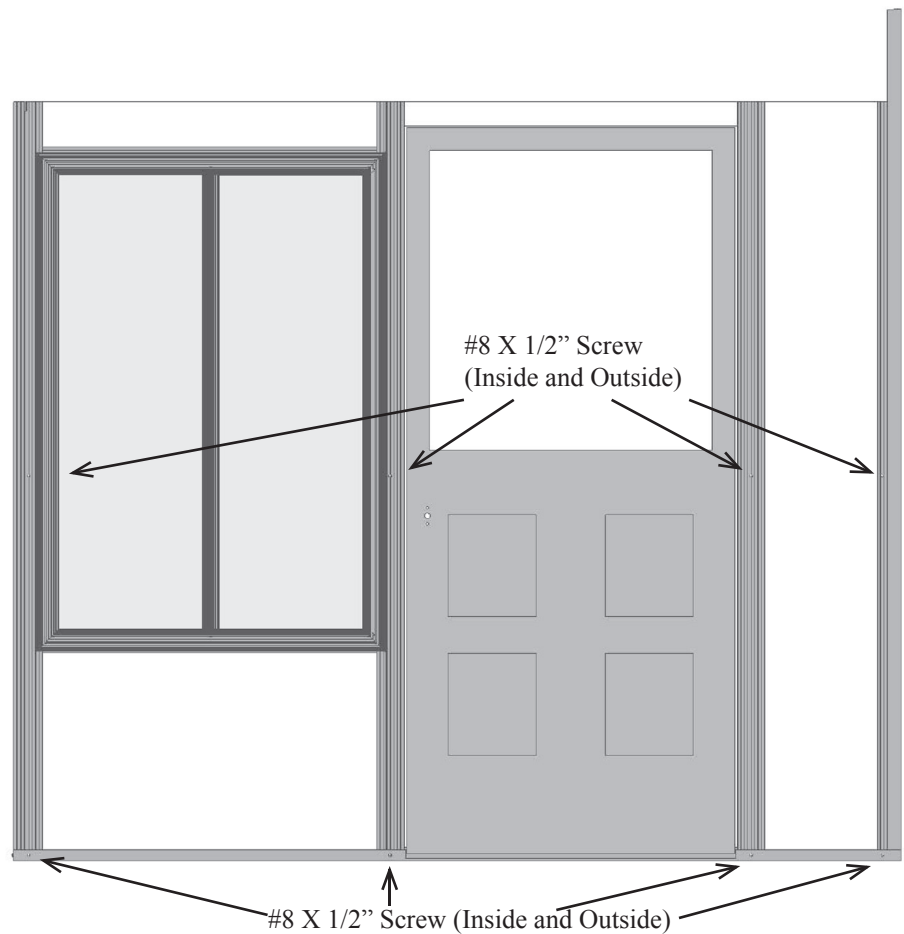
Note: The Door Panel is $\frac{3}{16}$ " narrower than the equivalent Window Panel. Allow $\frac{3}{32}$ " spacing on each side when installing Door Panel. See Drawing Below.



Installing Wall and Door Modules

As you continue to work from outside the room, the basics of installing the Wall and Door Modules uses the same procedure as you have just used to install the first Panel.

4. #8 X $\frac{1}{2}$ " self-drilling screws installed inside and outside where legs on Panel Frames overlap.



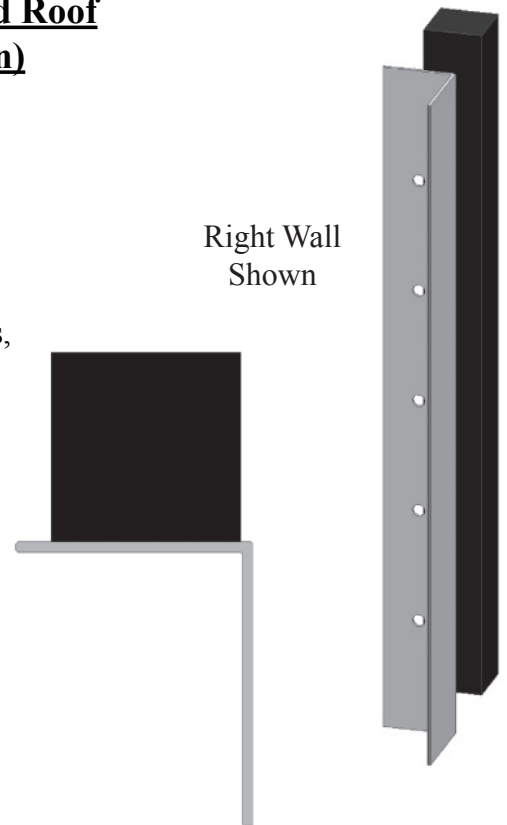
Installing a Room Under a Fixed Roof (This is a special application)

1. Start by cutting four (4) pieces of 1-1/2" x 1-1/4" x 1/16" thick angle so it will fit between the Floor and the bottom of the Mounting Rail.
(You will need (2) pieces for the right wall and (2) for the left wall)

2. Drill (5) 13/64" holes thru the 1-1/4" leg of the angle in all (4) pieces, 2" down from the top and 2" up from the bottom with the last (3) holes equally spaced between the first two holes.
See drawing.

3. Apply a strip of 1" x 1" foam tape **on the back** of 1-1/4" side of the angle approx. 1/16" in from the 1-1/2" side of the angle.
(This is to be done to (2) pieces of angle)

Note: Left wall is opposite.
See drawing.



4. Place the inside leg of the 1-1/2" angle against **Line "A"** that has been already established on page 6 then use a level to plumb the angle, then attach to the home with #12 x 2" screws, compressing the foam. **See drawing at right.**
(The foam fills in the gaps of siding or shingles etc.)

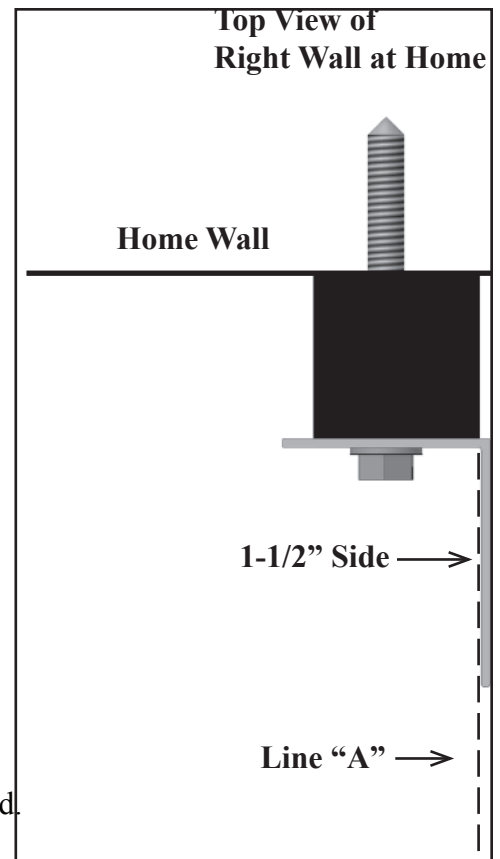
5. Install the Floor Channel by placing it against the 1-1/2" leg of the angle you just attached to the wall. Make sure the Floor Channel is square with the home and fasten with #10 x 1" screws. **See drawings on next page.**

6. Install your first Window or Door Panel into the Floor Channel and slide it to the home wall.

7. Install 1-1/2" x 1-1/4" x 1/16" thick angle against the left side of the Floor Channel, making sure it's plumb at the home wall and fasten with #10 x 1-1/2" hex head white screws.

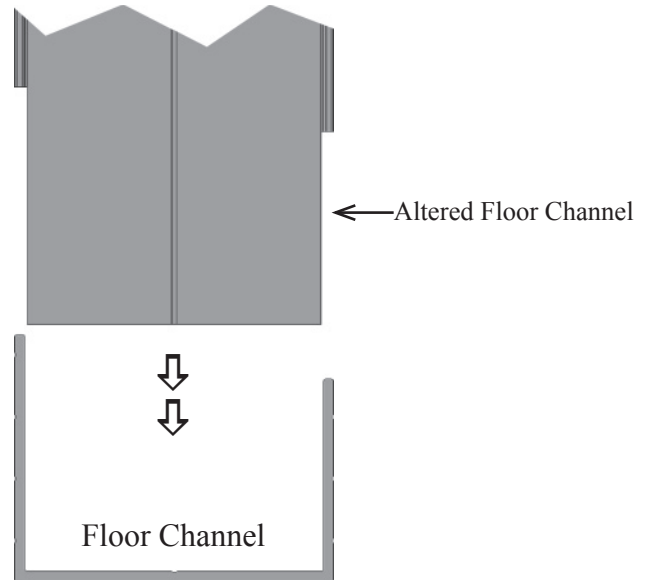
8. Repeat Steps 4, 5 and 6 for the left side wall.

Note: All other trim angles will be applied when the room is assembled.

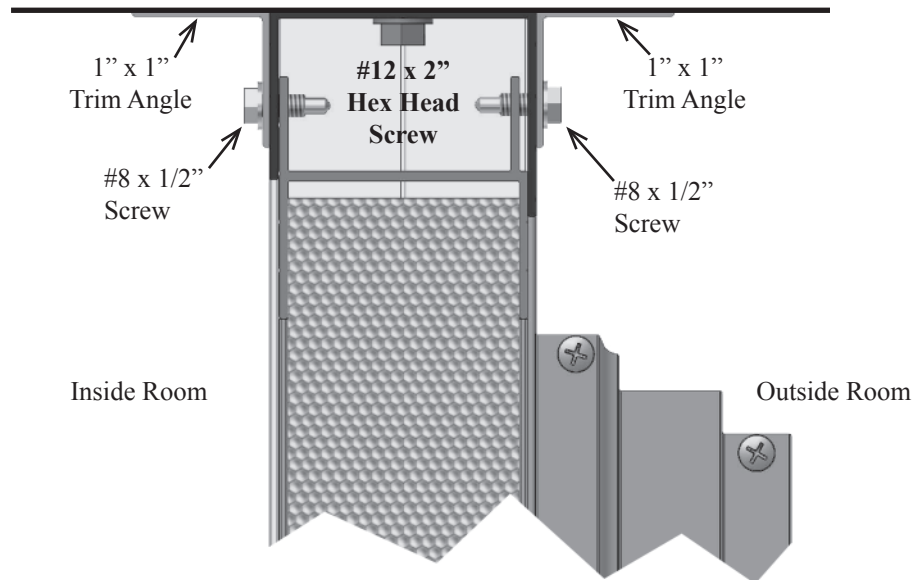


Installing a Room with no Solid Panel at the Home Wall (This is a special application)

1. Floor Channel will be used as Wall Channel in this application.
2. The Wall Channel will be altered at the factory for you.
This will allow for a proper fit in the Floor Channel.
(See Illustration at Right)
3. Drill $13/64$ " holes starting 2" up from the bottom and spaced 18" to 24" apart. Final hole 2" from top.
4. Apply a strip of 1" x 1" foam tape **on the back** of the Wall Channel along the full length of **edge**.



Top View of Right Wall at Home after Room is Assembled.

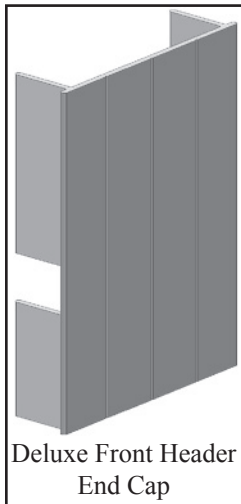
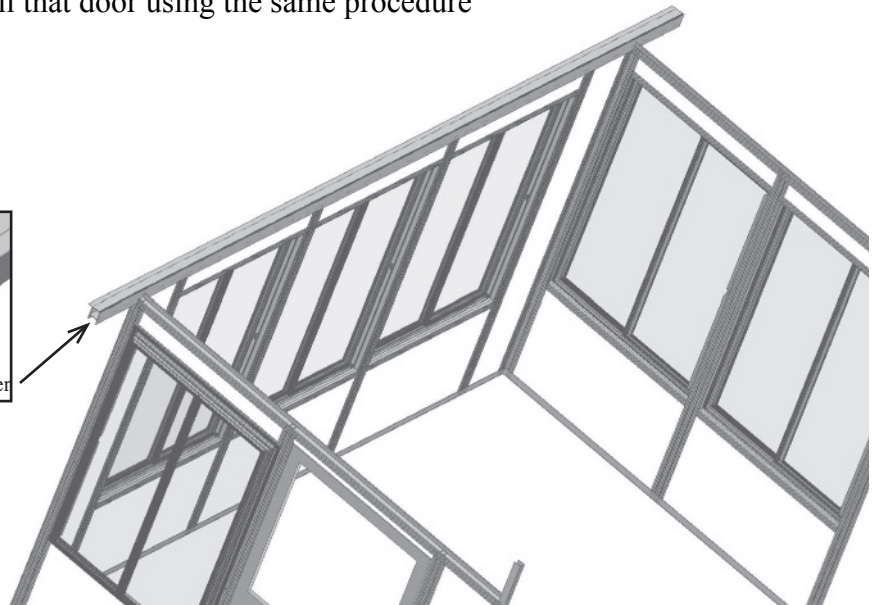
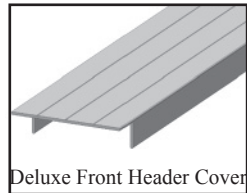


5. Attach Wall Channel to home with #12 x 2" Hex Head Screws.

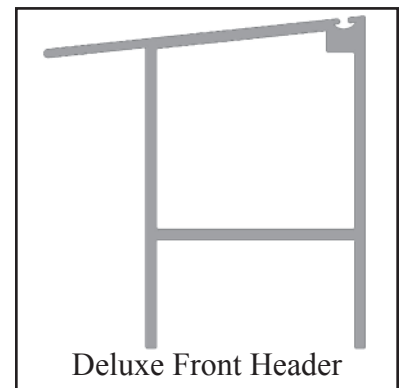
When possible, it is best to work in both directions toward the Door location and install the door last.

1. Start at Left Wall Channel and install Panel identified for left Wall Channel only and work toward Door location. Then go to Right Wall Channel and install Wall Panels, working your way back around to the Door location.
2. If you are installing a second door, install that door using the same procedure as you would with a Wall Panel.

Deluxe Front Header Cover is supplied to cover the overhang of Deluxe Front Header. Attach with #8 X 1/2" Screws.



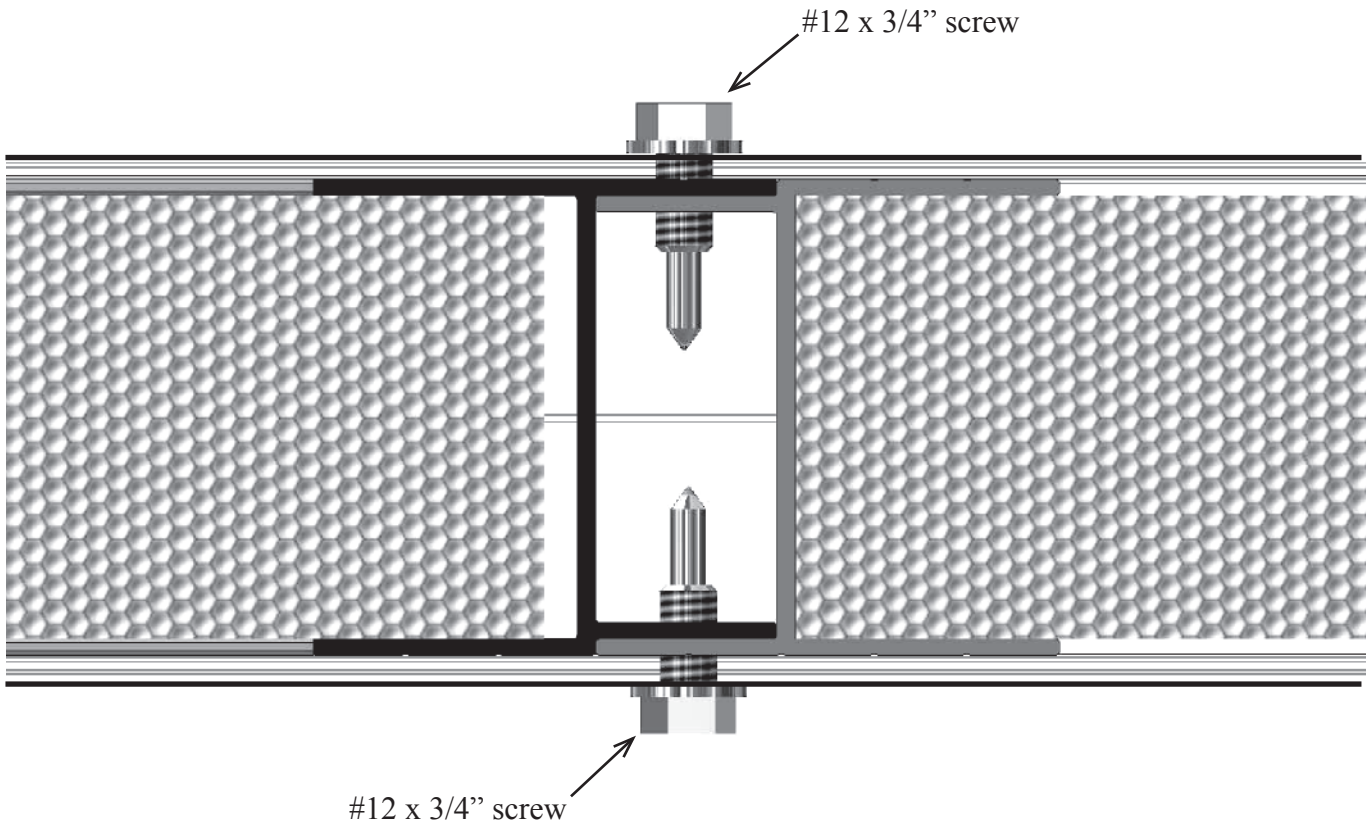
Note: When Deluxe Front Header End Caps are used with Deluxe Front Header Cover. The Legs of the Deluxe Front Header Cover will have to be altered back 5/8" to allow the Deluxe Front Header End Caps to fit into the ends of the Header.



3. If you are installing a Dura-Bilt Roof: After all Enclosure Panels have been installed, place Front Header that you assembled in Step 15 over the Front Enclosure Wall. **Note that Corners have been notched at top to accommodate Front Header.**
4. Level Front Header on the Front Enclosure Wall. Then raise center of Header slightly so that water will flow to downspouts.

5. Attach the Deluxe Front Header to the Panel Frames in the front wall with #12 X 3/4" self-drilling screws inside and outside where Panel Frame Extrusions overlap. See drawing below.

Top view of Panel Frames looking through Deluxe Front Header

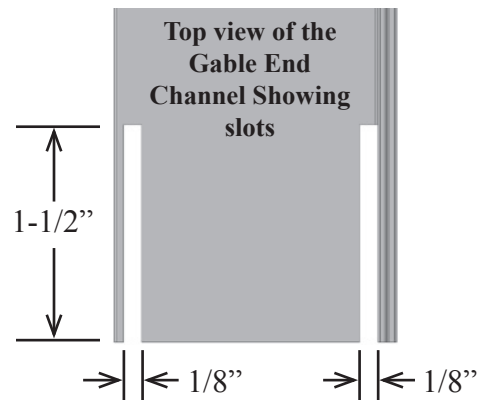
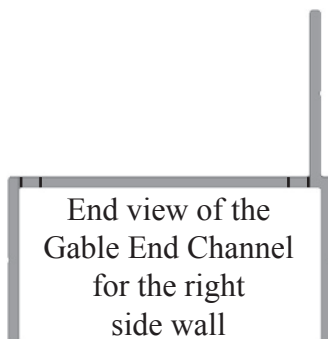


Note: If you have an existing roof you can lower it and secure it at this time. If you have a new roof install the roof panels now according to instructions provided.

Gable Ends

The Gable End Channel is provided in two parts to allow for easier installation of the Gable End when the Roof Panels have been previously installed.

1. Cut the Gable End Channel to fit from the back of the Deluxe Front Header to the back of the Wall Channel.
2. Cut two (2) slots 1/8" wide X 1-1/2" deep into the top surface of the Gable End Attach Channel. This is done so the Gable End Attach Channel fits around the Wall Channel. **See drawings on next page.**

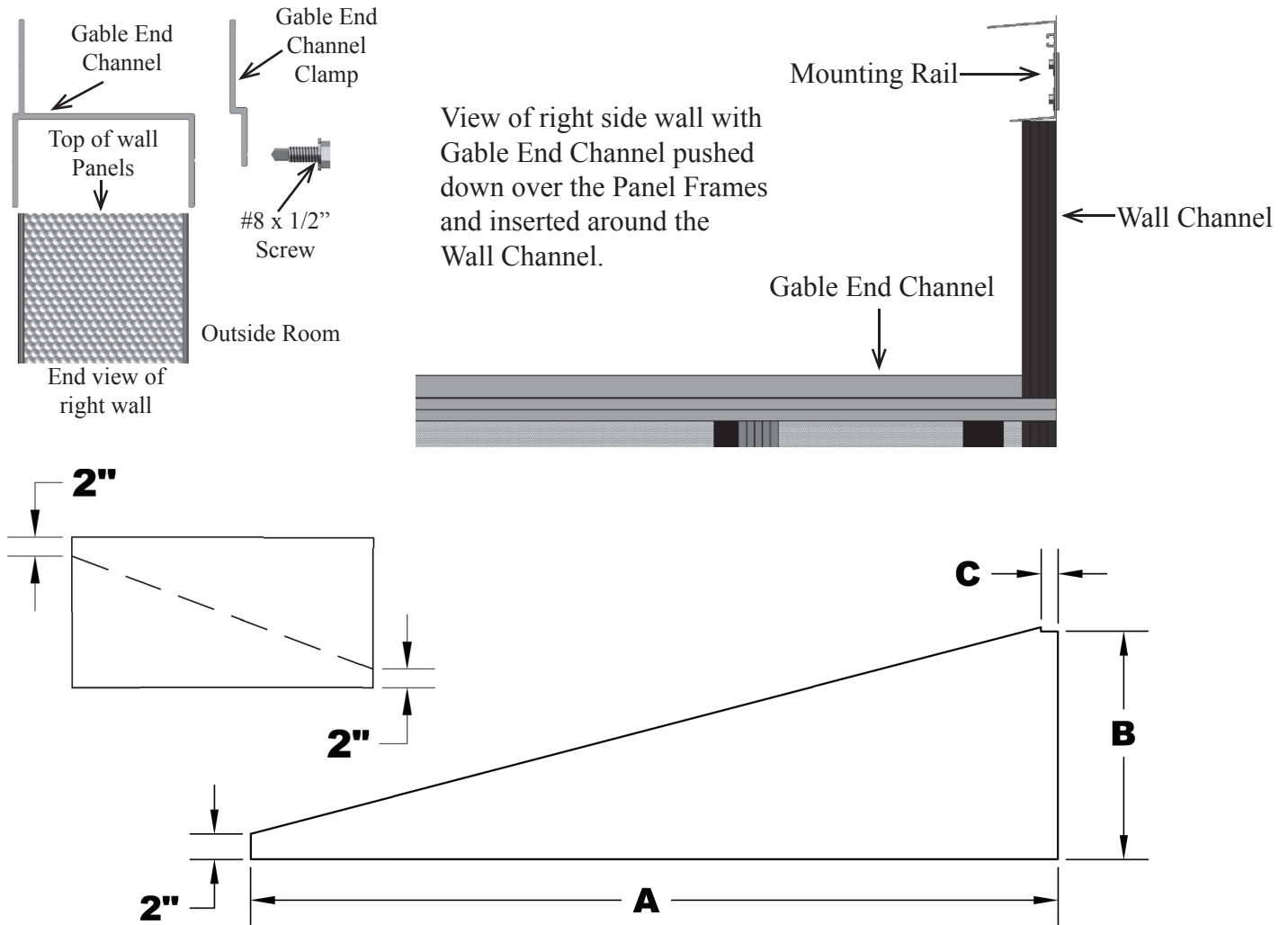


Note: The end of the Gable End Channel with the 1/8" slots is inserted around the Wall Channel above the Room Side Wall Panels and then pushed down over Panel Frames until it rests on Panel Frames.

With 76-1/2" and 82" wall height, Gable End Channel will not seat fully on Panel Frames at the door. This may cause a high spot in the Gable End Channel. It can be leveled by raising the ends of the Gable End Channel. However, as you install #8 x 1/2" self drilling screws where two Panel Frames overlap and intersect Gable End Channel, be sure to hit the Panel Frames with screws.

3. Install two-piece Gable End Channels with open side facing out. The Gable End Channel Clamp piece is installed after Gable Ends are in place.

4. Gable Ends material for Straight Roof is one piece and must be cut in half diagonally corner to corner. Gable Ends must now be cut to fit. **See drawings below.**



5. Make the following measurements and mark them on the Gable End. Follow this procedure **for each** End. Measure distance (A) from inside of Enclosure Wall Channel to back of Front Header. Measure distance (B) from bottom of Gable End Channel to under side of Roof Panel. Mark these measurements on the Gable End as shown in drawing.

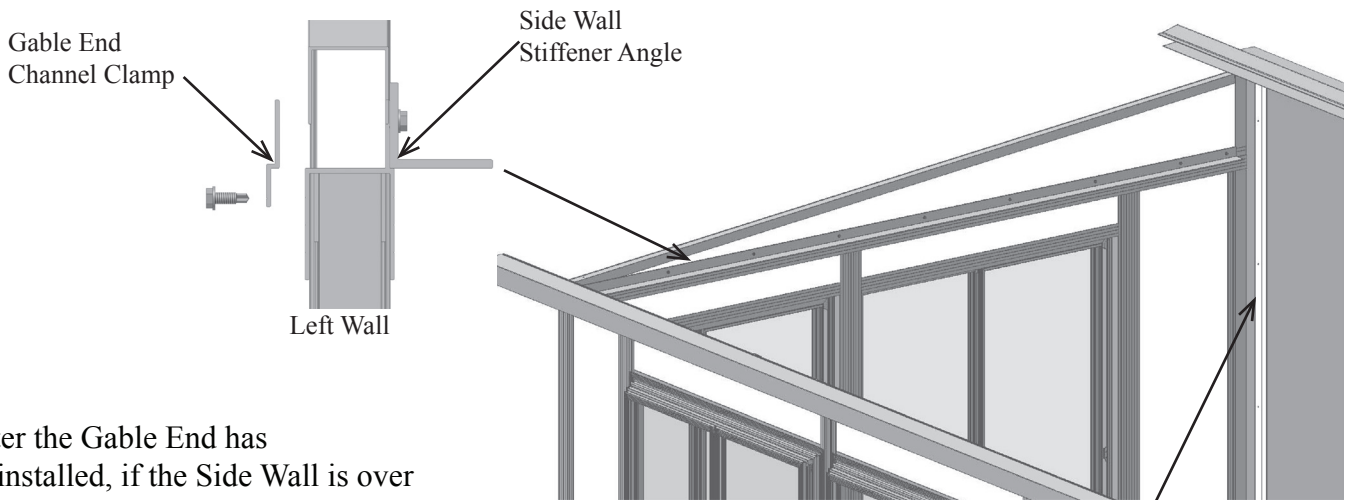
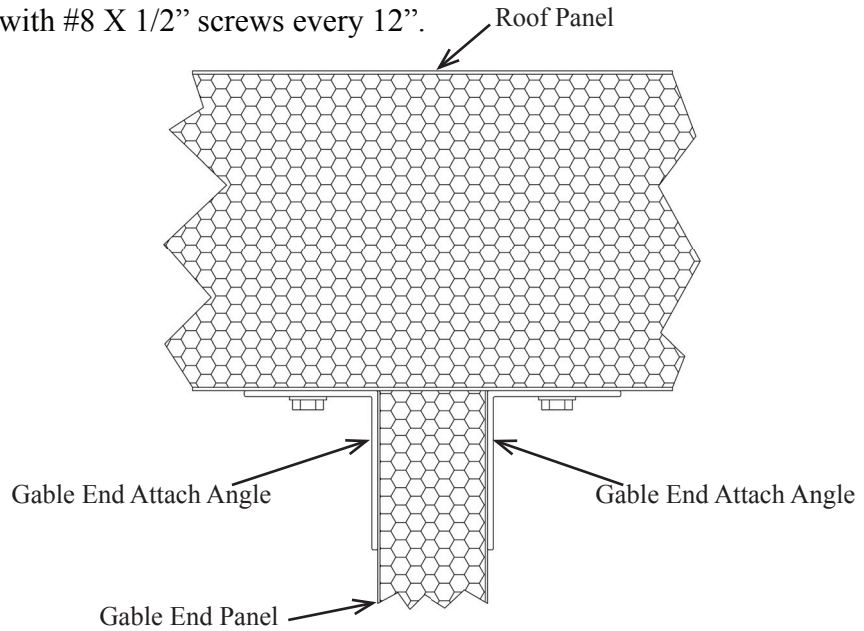
Cut Notch (C) as shown to fit around Mounting Rail.

6. Cut the Gable End to your measurements. Check final size, it must fit from the back of the Enclosure Wall Channel to the back side of the Front Header.

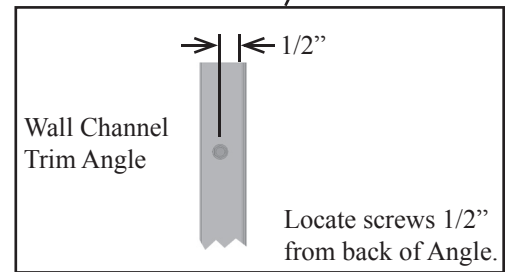
7. Follow same measuring procedure for the other Gable End.

Gable Ends for Dura-Therm and Dura-Lock Roofs

Install the Gable End Attach Angles with #8 X 1/2" screws every 12".



9. After the Gable End has been installed, if the Side Wall is over 10' install the Side Wall Stiffener Angle on the Gable End Channel with #12 X 3/4" self drilling screws in the pre-punched holes.



Place Wall Channel Trim against Wall Channel with one leg against home to cover weather stripping and caulking. Caulk between house and Wall Channel before fastening Wall Channel Trim to Wall Channel with five (5) #8 X 1/2" self drilling screws.

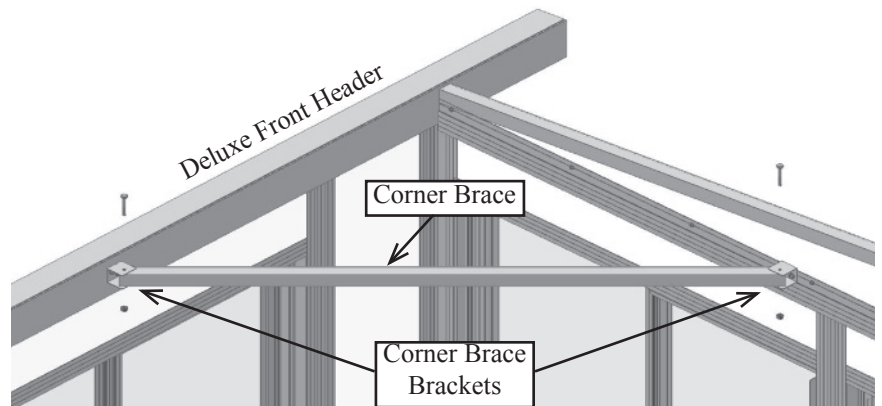
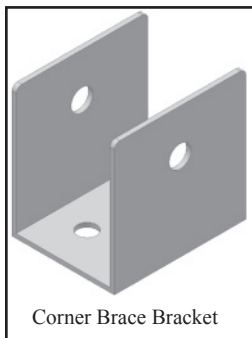
Wall Channel Trim is furnished in 120" lengths and must be cut to fit for both inside and outside of Wall Channel.

Use of Corner Braces may be optional.

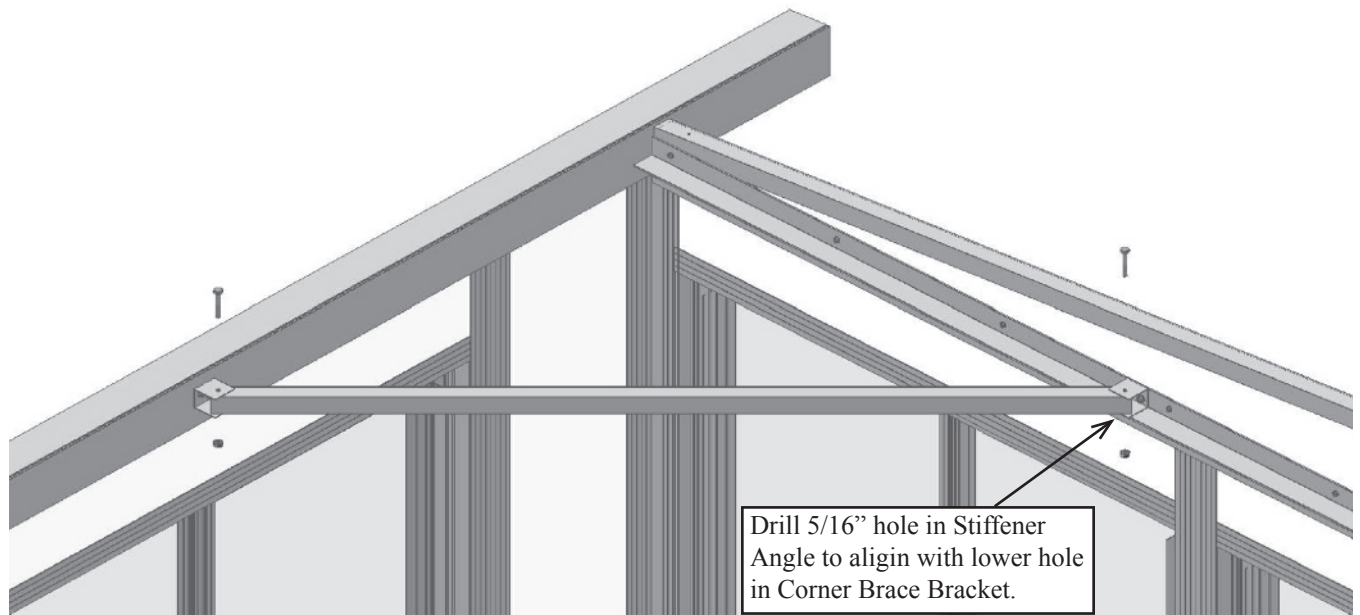
Consider use of Braces as optional on Side Walls up to 12' in length. Braces are recommended for Side Walls more than 12' in length. Braces also recommended for all walls in "**high wind**" areas.

Installing Corner Brace on Room with Gable End Channel

1. Install Corner Brace Bracket on back side of Front Header with (2) #12 X 3/4" screws.
2. Attach Corner Brace to Bracket with two (2) 1/4-20 X 1-1/2" bolt with locking nut.
Do not tighten at this time.
3. Swing the free end of Brace to Enclosure Side Wall and position Bracket on Gable End Channel where holes in Bracket and holes in Brace are aligned.
4. Attach Bracket to Gable End Channel with (2) #12 X 3/4" self drilling screws. Install and tighten all locking nuts on 1/4-20 X 1- 1/2" bolts.



Installing Corner Brace on Room with Side Wall Stiffener Angle



1. Install Corner Brace Bracket on back side of Front Header with (2) #12 X 3/4" self drilling screws as shown above. **(Instructions continued on next page)**

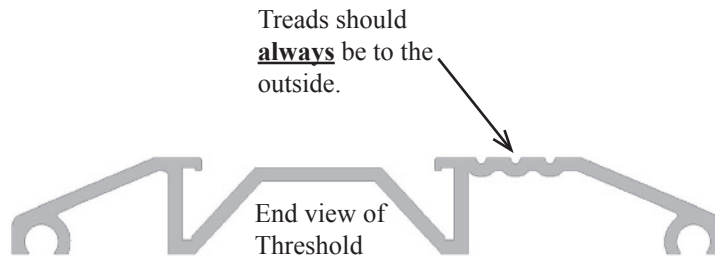
2. Attach Corner Brace to Bracket with (2) 1/4-20 X 1- 1/2" bolts with locking nuts. **Do not tighten at this time.**

3. Swing the free end of Brace to Enclosure Side Wall and position Bracket on Side Wall Stiffener Angle where holes in Bracket and holes in Brace are aligned.

4. Attach Corner Brace Bracket to Stiffener Angle as shown. Use (2) #12 X 3/4" self drilling screws. Drill one 5/16" hole inside Wall Stiffener Angle to align with hole in Corner Brace Bracket. Place Corner Brace in position and install and tighten all locking nuts on 1/4-20 X 1-1/2" bolts.

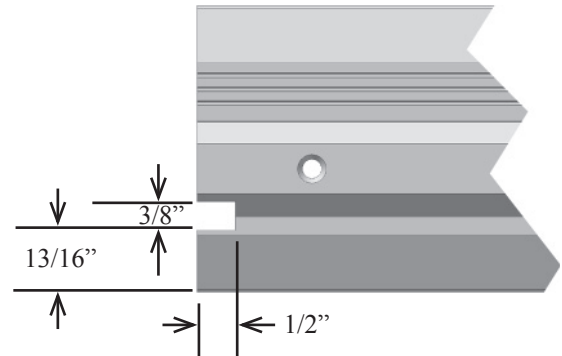
Installing the Threshold

1. Cut Threshold to 35-1/2". Notch for In-swinging or Out-swinging door, as shown. Install with 1/4" plastic lag shields and #10 X 1-1/2" flat phillips screws, unless Threshold is installed on a wood deck, in which case, omit plastic lag shields.



Threshold for Outswinging Door

Both sides of the Threshold are to be notched the same.



Threshold for Inswinging Door

Both sides of the Threshold are to be notched the same.

