



Dura-Breeze

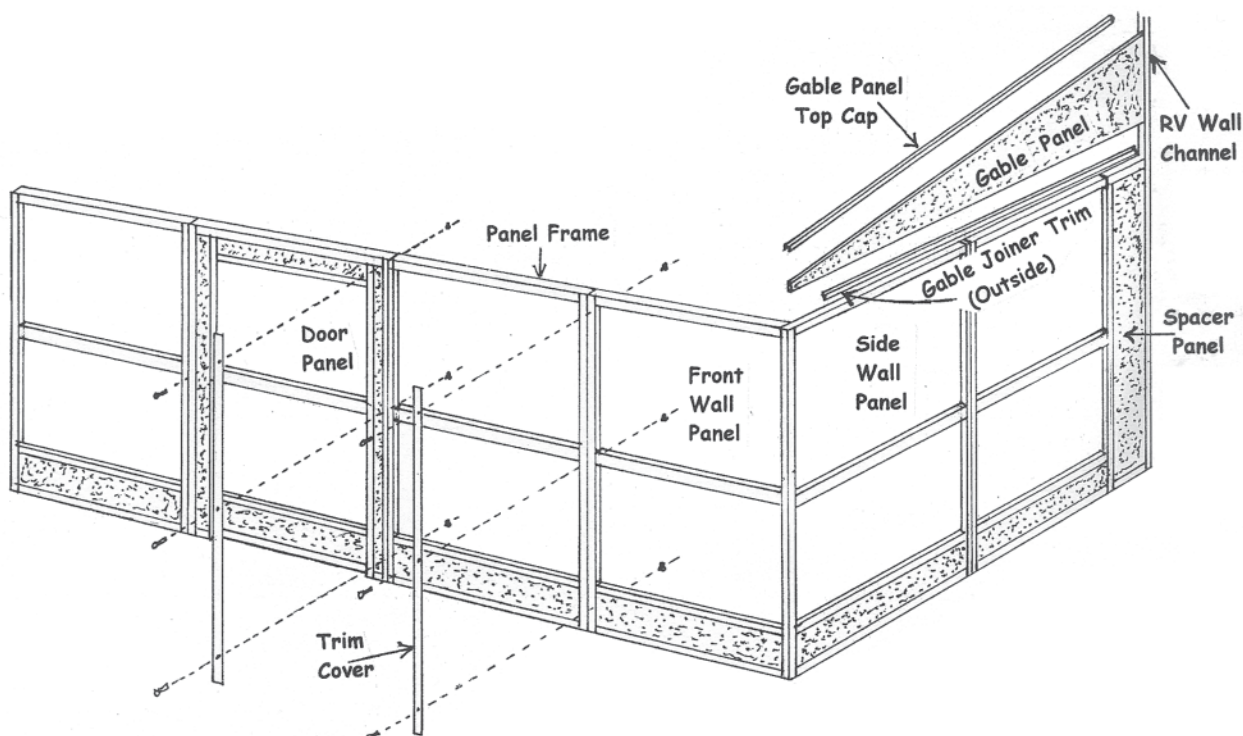
Portable RV Screen Room

Under a Deluxe Dura-Fold

Installation Instructions

Read the instructions before starting the job. They explain the steps required to produce a finished product that will meet factory specifications.

All references to "Left" and "Right" are while facing the home.













Check the material received.
Match your shipment with the Bill of Materials.
If there is a shortage or wrong material,
call Dealer Service immediately.

Safety is important!
Wear Safety Glasses and Work Gloves.
Follow all safety practices while assembling
and installing this product.

Dura-Bilt Products, Inc. P.O. Box 188 Wellsburg, N.Y. 14894

Dealer Service 570-596-2000 E-Mail info@durabilt.com

DURA-BILT RESERVES THE RIGHT TO CHANGE DESIGN AND/OR SPECIFICATIONS WITHOUT NOTICE.

Fasteners	Description
	#12 x 1-1/2" Hex Washer Head Screw
	#12 x 2" Hex Self Drilling Screw
	#10 x 1" Hex Washer Head Screw Magni 599 Coated
	#8 x 1/2" Hex Self Drilling Screw
	Plastic Lag Shield
	1/4"-20 x 3-1/2" Phillips Pan Head
	Expansion Bolt (Concrete Anchor)
	1/4"-20 Aluminum Wing Nut
	1/4" x 2-1/4" Clevis Pin & Hair Pin
	#14-10 x 2-1/2" Galvanized Hex Washer Head Screw Attaches Anchor Bracket to Wooden Deck. (Full Embedment Required!!!)

Tools Required

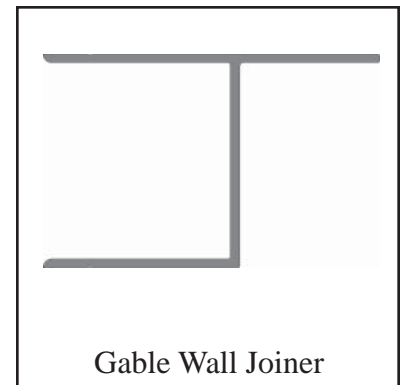
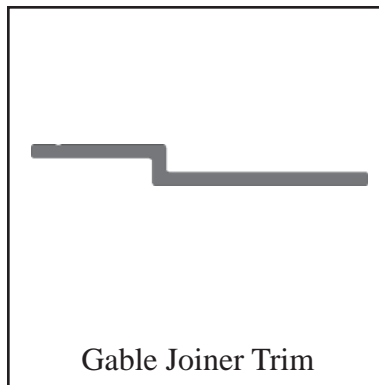
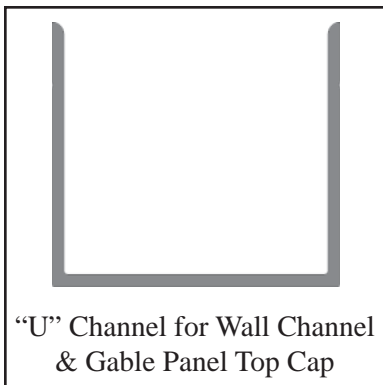
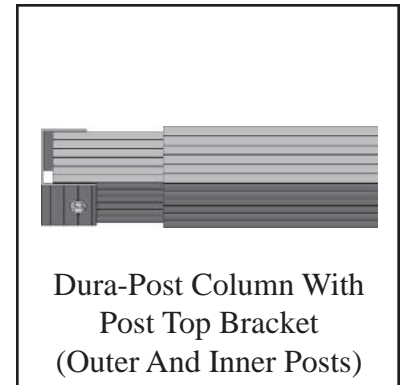
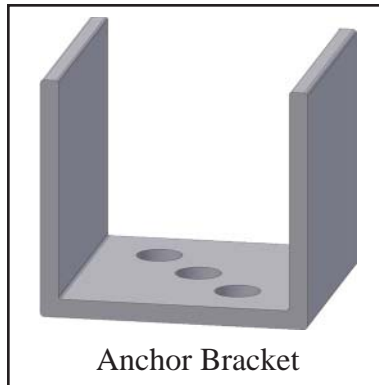
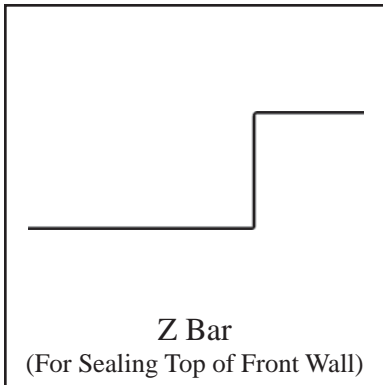
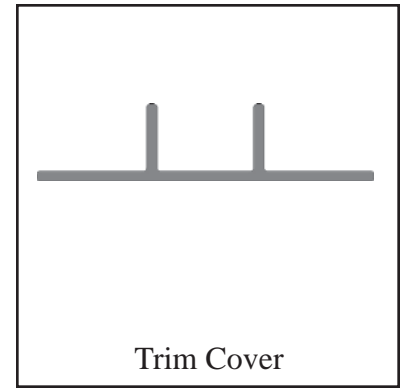
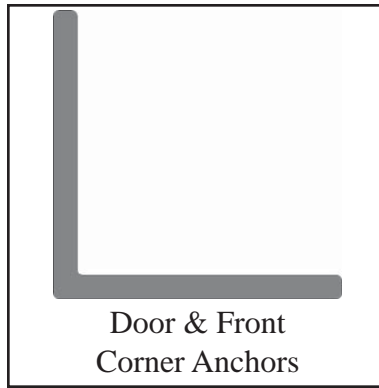
Cordless Drill Tape Measure Metal Saw Level Chalk Line Clamp Hammer

Utility Knife Caulk Gun Phillips Screw Driver

Nut Driver Bits with Magnetic Head: 1/4", 5/16", 3/8" & 7/16"

Drill Bits: 3/16", 17/64" & 9/32" - 1/4" & 1/2" Masonry

Component Descriptions



Deluxe Dura-Fold and Dura-Breeze Post Spacing

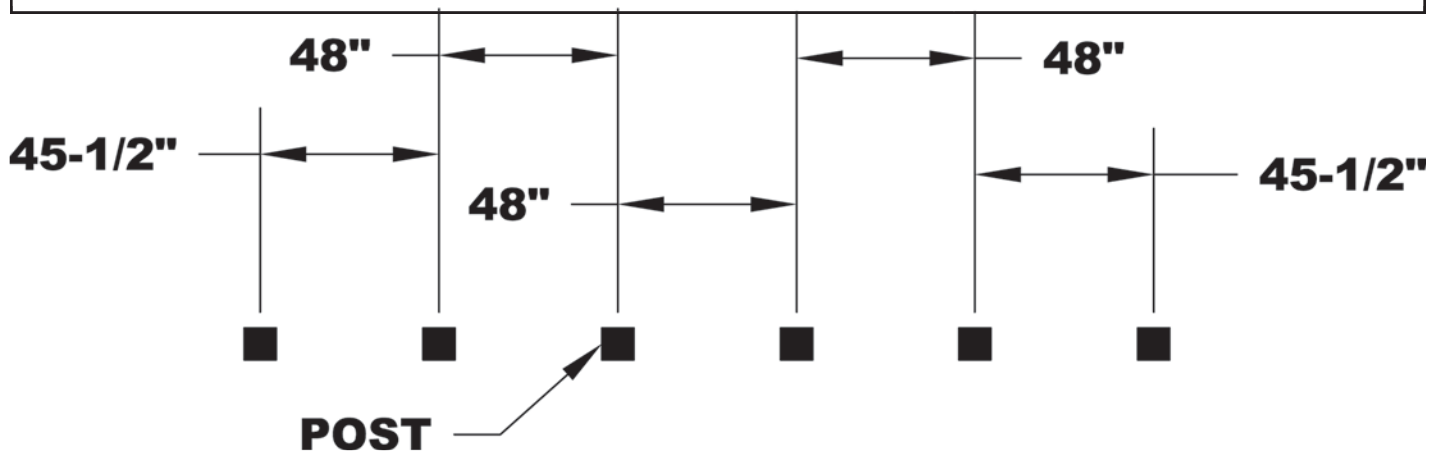
Throughout these instructions the floor of the room is referred to as “deck”. The quality of the finished job is best when the deck is level and every effort should be made to level the deck, if necessary.

If the deck is concrete, it will be necessary to drill and install the provided plastic lag shields.

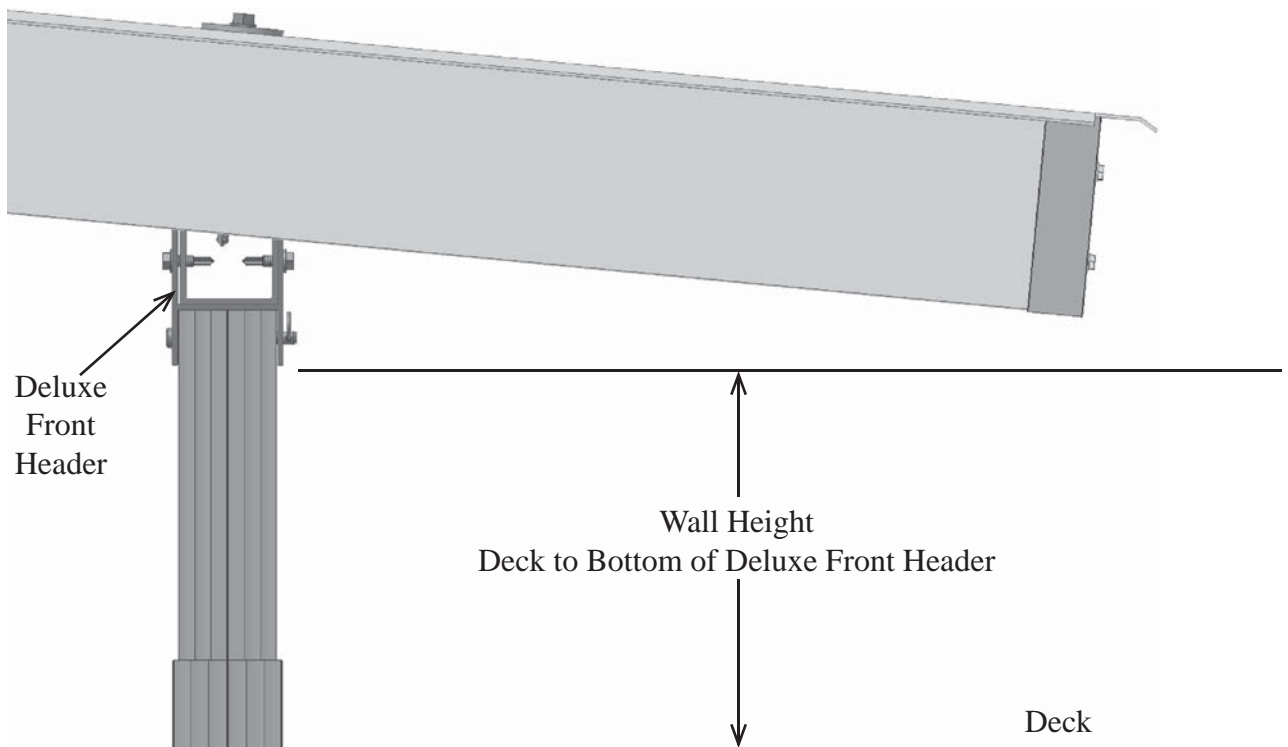
For best results installing the Screen Wall Panels, the existing awning posts must be plumb. And, the front posts must be spaced 48” on center, except at the corners where they must be 45-1/2” on center.* See Post Spacing Drawing below.

Note: To install a Dura-Breeze Room, spacing from Center Line of post to Center Line of post **MUST BE** as shown in the drawing below. For Dura-Breeze Room Dura-Post Columns are used.

* If your front wall is 10’, 14’ 18’, 22’, 26’, etc., you will have a 24” Half Panel at a front corner. Posts for this panel must be 21-1/2” on center.

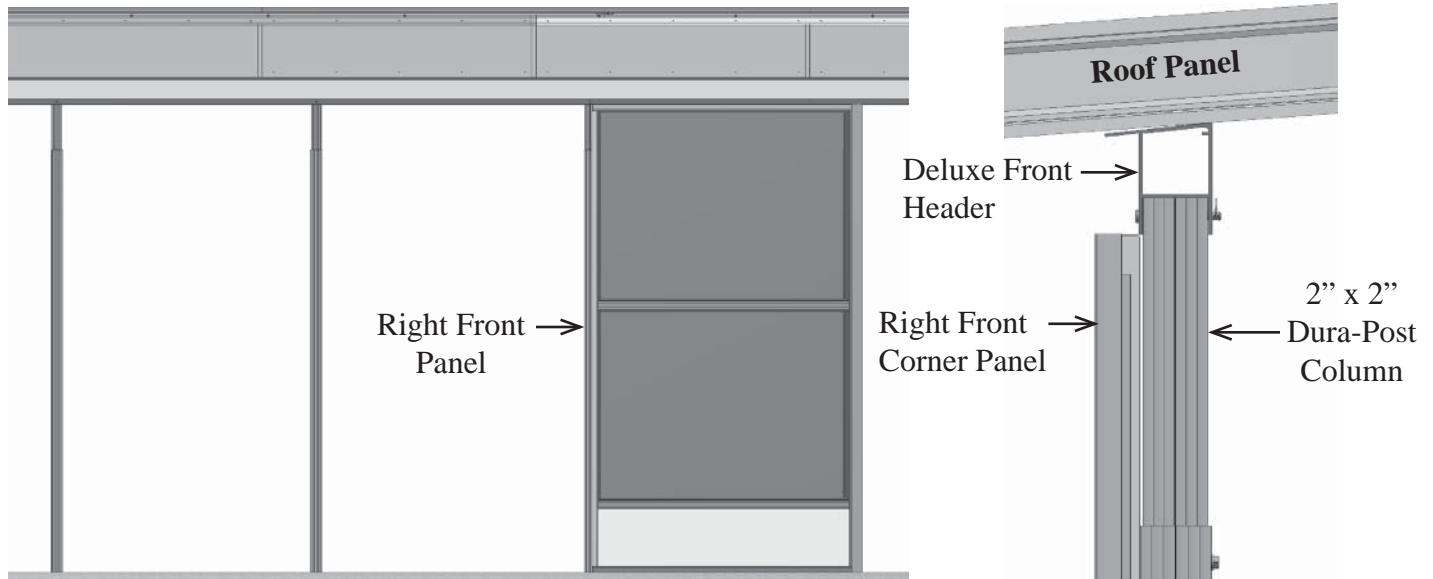


Note: Wall Heights are offered in 82”, 90” and 96” from the deck to the bottom of the Deluxe Front Header.



Installing Front Wall Panels

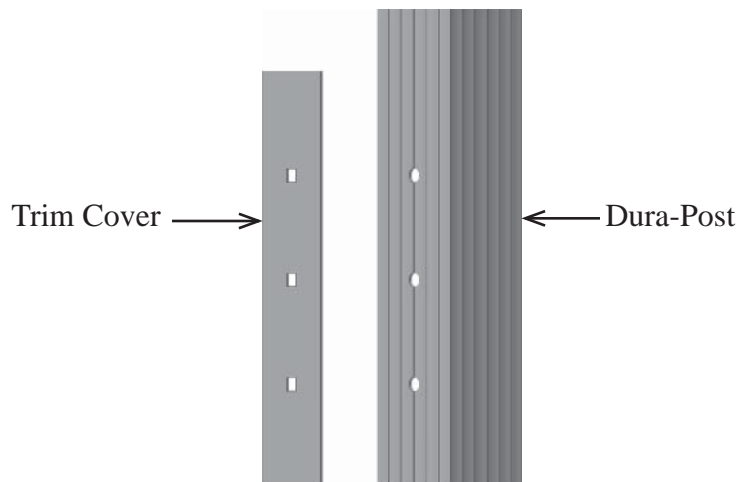
1. Refer to your Wall Layout Diagram and the positions for the numbered panels. Locate Panel #1. (The numbers are on the bottom of the Wall Panels.)
2. Working from outside the room, start at the right front corner, place Panel #1 against the posts, leaving room for the side wall panel to nest into the right front corner panel.



3. Using the pre-punched Trim Cover as a template, mark the location and attach the right front corner panel to the right front corner post with three (3) #12 x 2" Self drilling screws.

4. Refer to Wall Layout Diagram for location of Panel #2 and place a Trim Cover between the two Screen Wall Panels just installed. The Trim Cover must be centered on Post to accommodate the bolt and wing nut assembly. Slide the legs on the Trim Cover between the Screen Wall Panels. Check again that the Trim Cover is centered on the Post and is aligned with the bottom of the Screen Panel. When you come to a Door Panel, it will install the same as Standard Wall Panel.

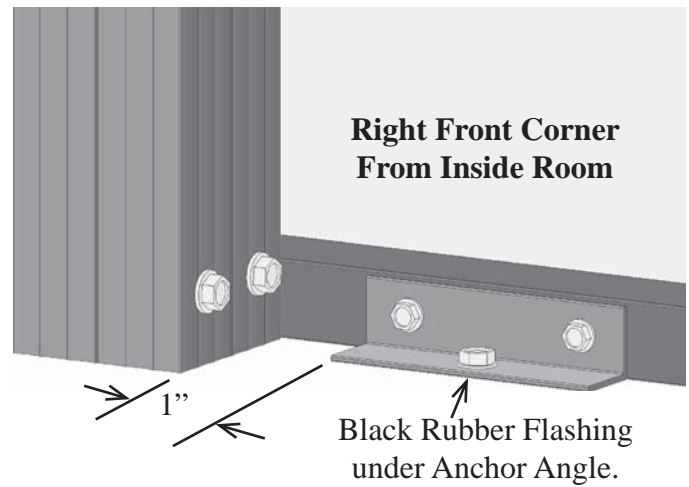
5. Drill 9/32" holes in Post using the Pilot Holes in the Trim Cover. Then install three (3) 1/4-20 x 3-1/2" bolts with wing nuts in all three (3) holes.



6. Now install the next panel(s) to the left and continue the above procedure to complete the Front Wall.

Note: The left front corner panel is fastened to the corner post the same as the right.

7. Secure the Right and Left Corner panels and (when installed) the Door Panel. Use Anchor Angles supplied in Hardware Package. Position the Angle flush to the inside of panel frame. Hold wall panel snug against post while installing Anchor Angle. **See Drawing.**

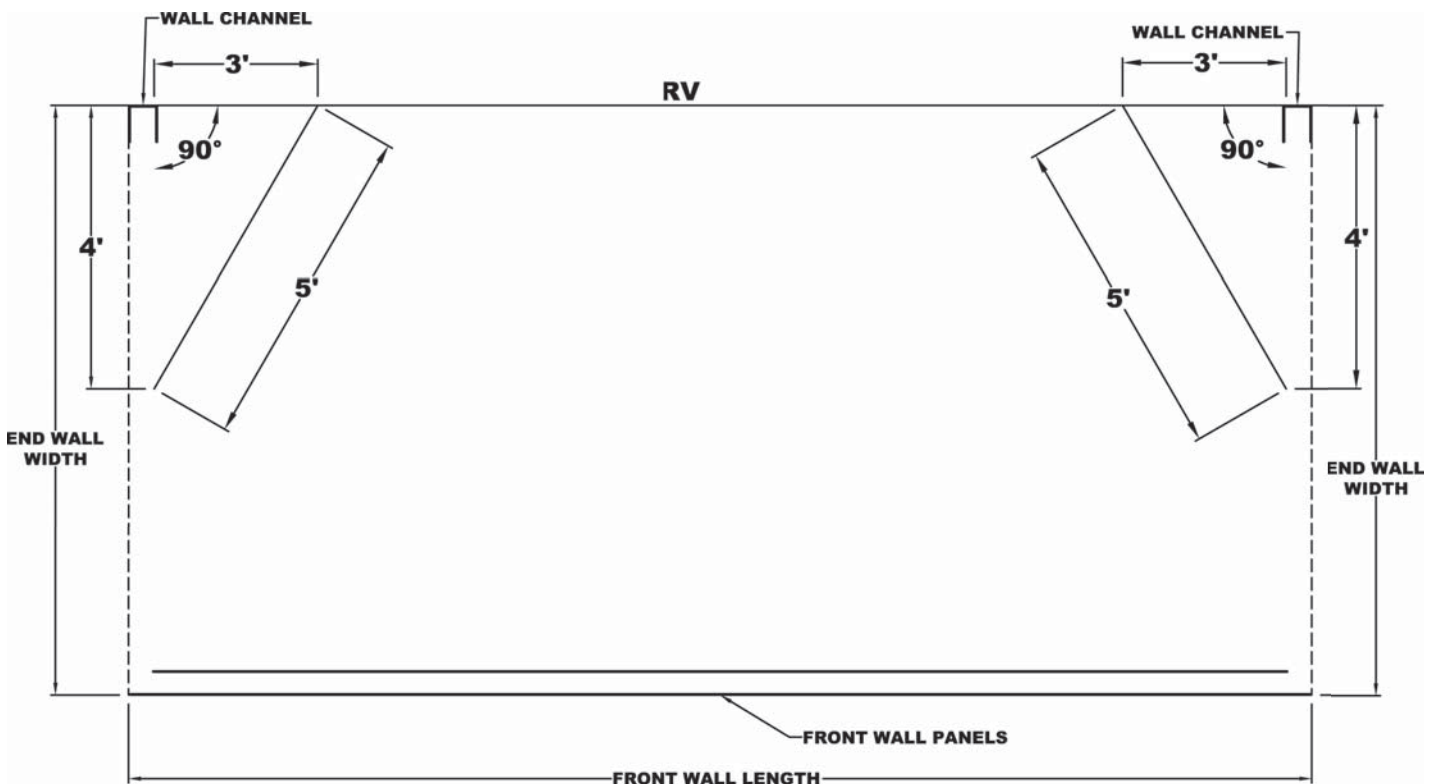


Note: If you are installing the Dura-Breeze Room on a Pressure Treated Lumber Deck. With your order you will receive a 4" x 4-1/2" piece of Black Rubber Flashing with paper coated adhesive on one side. Peel the paper off from the Flashing and stick the flashing to the bottom of the Anchor Angle. Then trim the excess Flashing from around the Anchor Angle.

8. Attach Angle to Panel with two (2) #8 x 1/2" self-drilling screws. Drill 3/16" hole into deck and install #10 x 1" Hex Head Screw. If you are installing the Dura-Breeze Room on a concrete deck, use a 1/4" masonry drill, plastic lag shield and #10 x 1" Screw.

Installing Side Walls Panels

Lay out the location of the Wall Channel with a chalk line using the 3,4,5 or similar method to establish 90 degree corners.

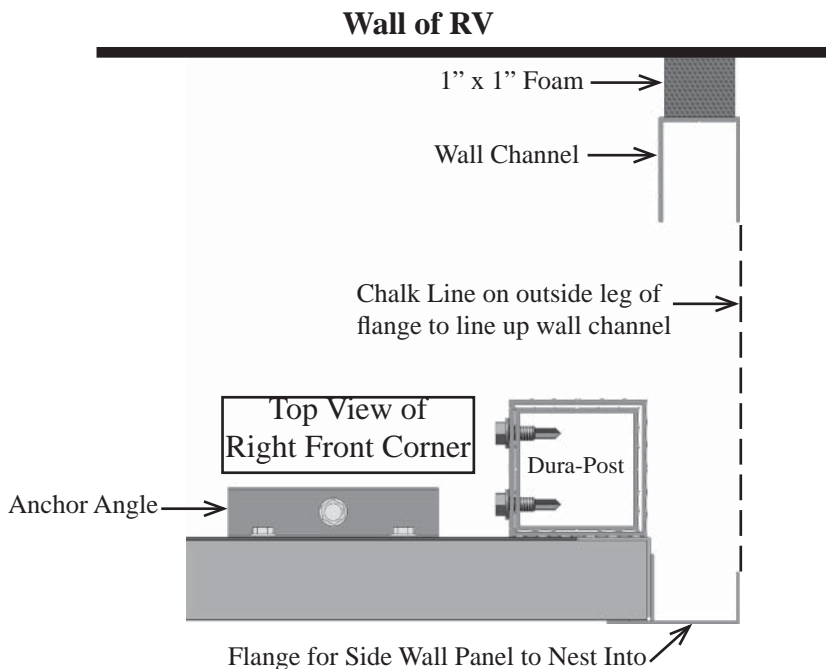
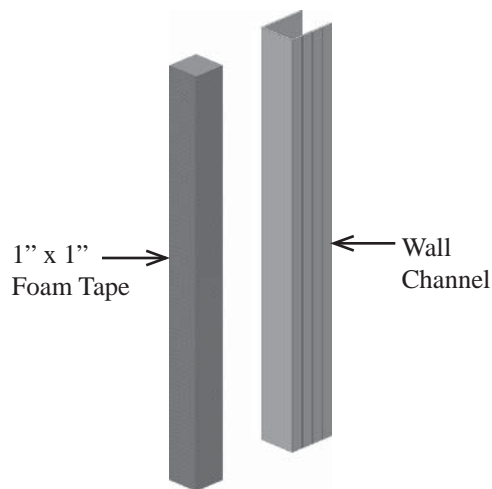


Installing Side Walls Panels

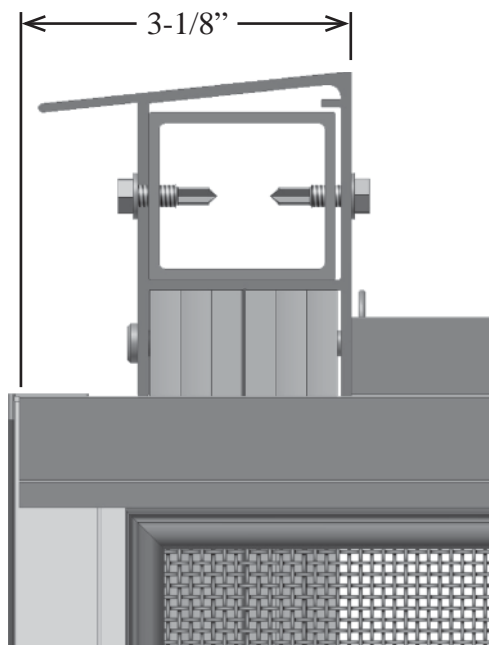
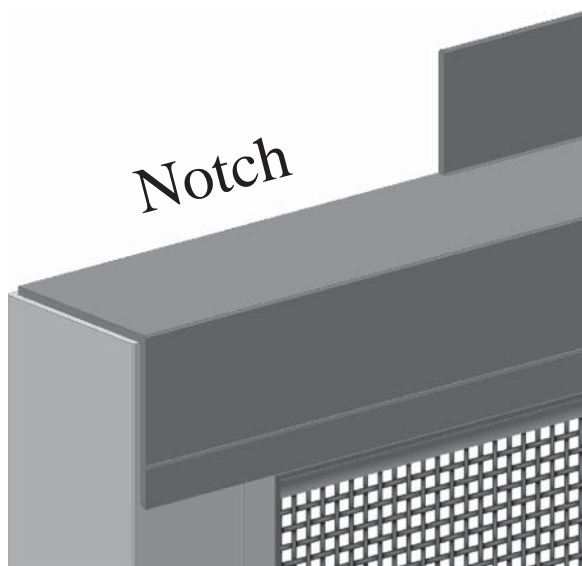
1. Before installing the RV Wall Channel to the RV, attach the provided 1" x 1" Foam Tape to the side of channel that will attach to the RV.

See Drawing.

2. Install Wall Channel by aligning it to the inside of chalk line on deck. The Wall Channel runs from deck to bottom leg of Mounting Rail. Attach to RV with three (3) #10 x 1-1/2" screws into wall of RV.

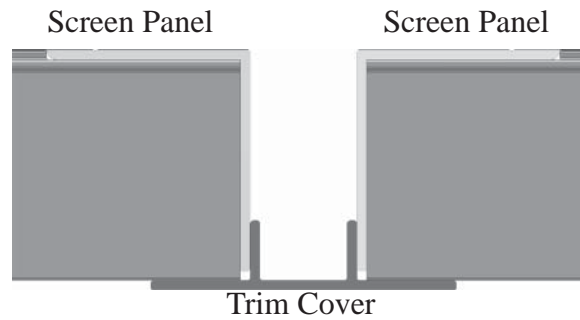


3. Refer to your Wall Layout Diagram to identify the Side Panels for the Front Corner. The Gable Channel on the first screen panel of both side walls will need to have a 3-1/8" notch cut into the front end of the Gable Channel. This will allow the screen panel to clear the Deluxe Front Header. **See Drawings.**



4. Slide the panel into the flange and align it with the chalk line on the deck.

5. Continue by positioning the second Side Wall Panel indicated on Wall Layout Diagram. Temporarily set a Trim Cover in position on the Wall Panels. Hold Trim Cover in place with a clamp at the top.



6. Two Solid Spacer Panels, about six inches wide, are provided to be installed between both second Side Wall (or Door) Panels and the RV.

Also provided is a 12" piece of "U" Channel and a 12" piece of Gable Wall Joiner.

Measure the opening for the Spacer Panel from the back of the Side Wall Channel to back of RV Wall Channel. Make the measurement at both the top and bottom of the opening so the panel can be cut to compensate for the RV being out of plumb.

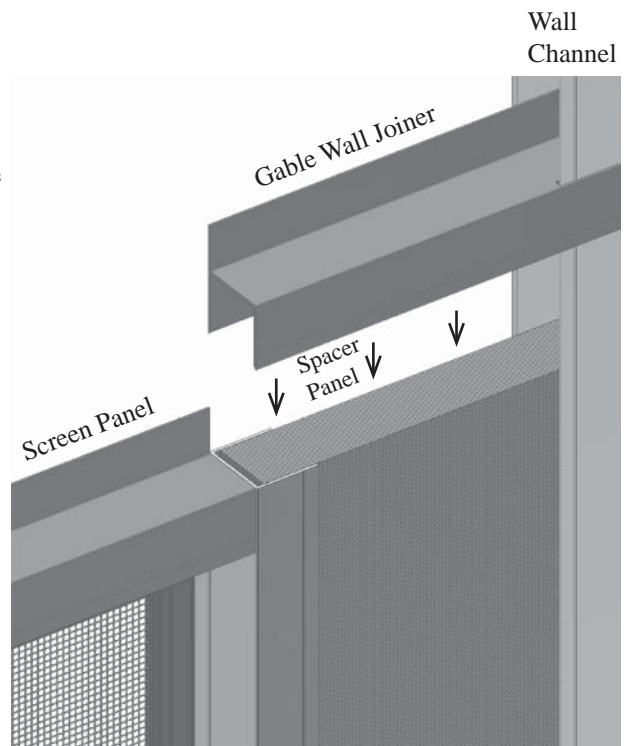
Measure from the Deck to top of Wall Panel (not the Gable Wall Joiner) for proper Spacer Panel height. Cut Spacer Panel to fit these measurements.

7. Remove second Screen Panel.

8. Cut a section of "U" Channel to fit bottom of both Spacer Panels, subtracting 2" for adjacent channels. Slide "U" channel onto the bottom of Panel. Then cut the 12" piece of Gable Wall Joiner to fit on top of the Spacer Panel for both side walls. Then cut a 1" notch in the outer leg of the Gable Wall Joiner as shown in drawing. Slide it on the Panel with the Notch toward the Wall Channel. Now slide Spacer Panel into the RV Wall Channel.

9. Replace the second Screen Panel. Replace the Trim Cover.

Gable Wall Joiner with Notch



Post Anchoring for Side Walls

1. Make sure the Post is plumb in both directions and centered between two (2) Screen Panels inside room.

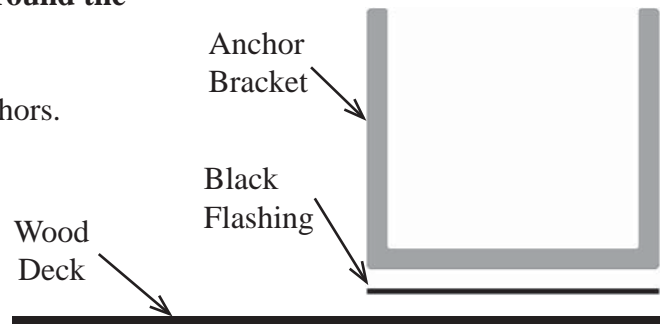
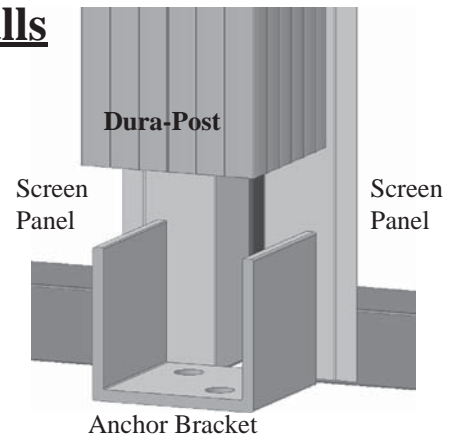
2. Mark location for Anchor Brackets.

You must turn the Anchor brackets 90 degrees so the fastener is parallel to the Side Wall.

Note: If you are installing Posts on a Pressure Treated Lumber Deck. With your order you will receive a 4" x 4-1/2" piece of Black Flashing with paper coated adhesive on one side for each Dura-Post. Peel the paper off from the Flashing and stick the flashing to the bottom of the Anchor Bracket. Then trim the excess Flashing from around the Anchor Bracket.

3. Move Posts aside from marked locations and install Anchors.

Note: You must use a 1/8" drill and pre-drill the holes for the fastener. Attach Bracket to wood with two (2) #14-10 x 2-1/2" Galvanized Hex Washer Head Screws. (Full Embedment Required!!!)

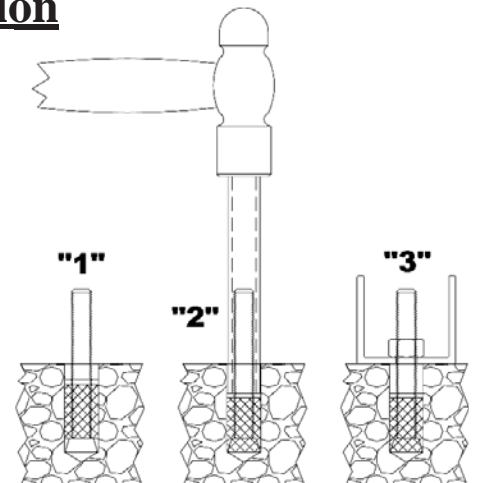


Concrete Anchor Installation

1. Drill hole 1-7/8" deep with a 1/2" masonry drill bit. Insert Anchor Bolt, Expanding Ferrule, Lead Anchor and Washer.

2. Use hammer and 1/4" pipe to seat Anchor.

3. Place Anchor Bracket over Bolt and secure with 1/4" nut.



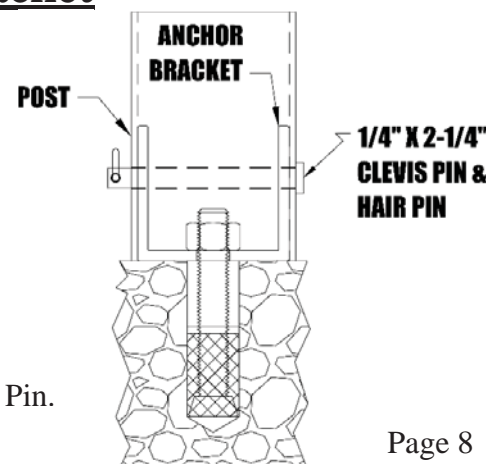
Installing Post Anchor Bracket

1. In the center of the post measure up 1" from the bottom and use a 17/64" drill to drill thru one side of the post at a time.

2. Slide the Outer Dura-Post over Anchor Bracket.

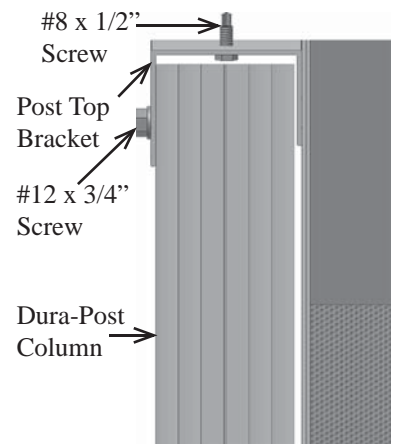
3. Use the same 17/64" drill and drill thru the Anchor Bracket using the Outer Dura-Post as a guide.

4. Secure Post to Anchor Bracket with a 1/4" x 2-1/4" Clevis Pin & Hair Pin.



Attach Post Top Bracket of the Side Dura-Post Columns

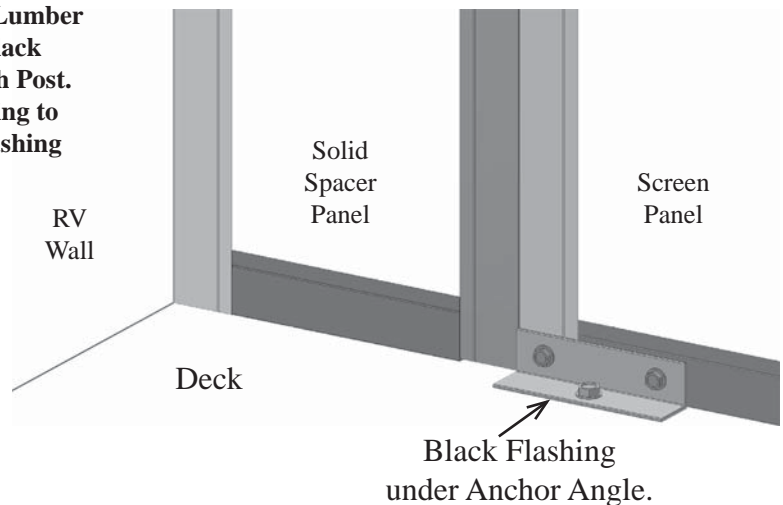
1. Install Center Post inside the room. Center Post on the joint of the two screen panels. Plumb post and then mark position of Post Top Bracket on the underside of Awning. Lower inner post and tape or clamp the inner post in place to prevent inner post from sliding down inside outer post. Remove Post Top Bracket and fasten in position just marked. Fasten with #8 x 1/2" screw through center of Post Top Bracket. Slide the inner post back up to the Post Top Bracket and re-attach with the #12 x 3/4" screw you took out. Secure inner post to outer post using a #12 x 3/4" screw front and back (parallel to side wall).



2. Attach Trim Cover by first drilling 9/32" holes in Post using the Pilot Holes in the Trim Cover. Then install three (3) 1/4-20 x 3-1/2" bolts with wing nuts in all three (3) holes, as done for front wall.

Note: If You are installing Posts on a Pressure Treated Lumber Deck. You will be supplied with a piece of 4" x 4-1/2" Black Flashing with Paper coated adhesive on one side for each Post. Peel the paper off from the Flashing and stick the Flashing to the bottom of the Post Anchor. Then trim the excess Flashing from around the Post Anchor.

3. Install the provided 3" long Anchor Angle as you did at the front corners. It should be located at the joint of the Screen Panel and the Spacer Panel.



4. Repeat process for other side wall.

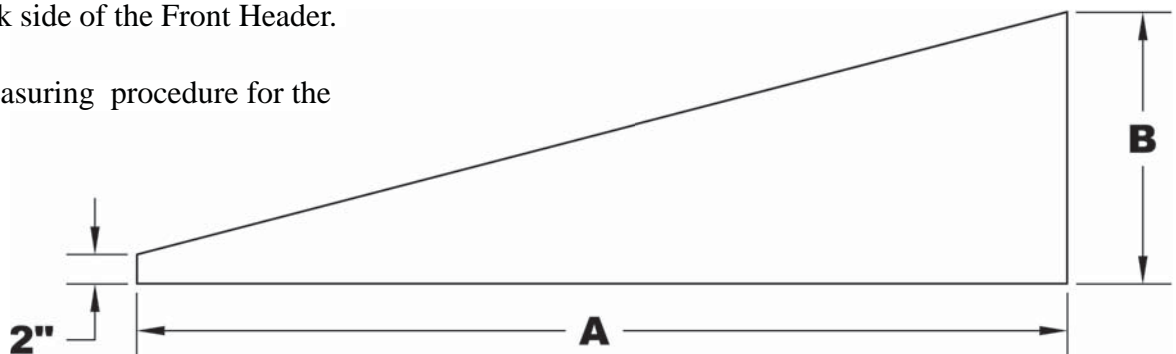
Preparing and Installing Gable Panels

1. The 24" panel received with your Dura-Breeze Screen Room must be cut into two pieces to match your roof pitch.

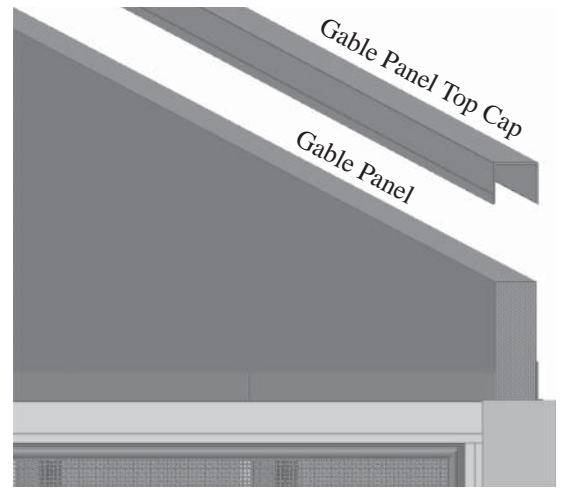
2. Make the following measurements and mark them on the Gable End. Follow this procedure **for each** End. Measure distance (A) from inside of Enclosure Wall Channel to back of Front Header. Measure distance (B) from bottom of Gable End Channel to under side of Roof Panel. Mark these measurements on the Gable End as shown in drawing.

3. Cut the Gable End to your measurements. Check final size, it must fit from the back of the Enclosure Wall Channel to the back side of the Front Header.

4. Follow same measuring procedure for the other Gable End.



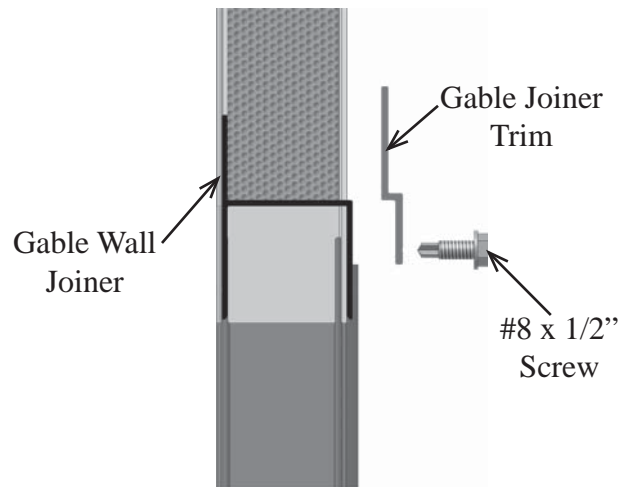
5. Locate Gable Panel Top Cap. Measure diagonal edge of the Gable Panel and cut the Cap to that length. Place Cap on Panel and mark the excess Cap material at the front end of Cap. Remove Cap and make necessary cuts on the Cap. Install Gable Panel Top Cap on Gable Panel.



View of right front corner of Room.

6. Working outside the room, position Gable Panel by setting it in the Gable Wall Joiner. Then slide it back into the Wall Channel.

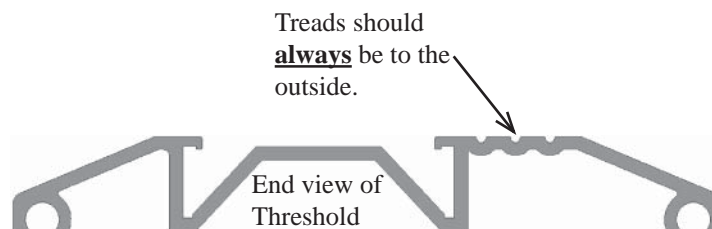
7. Attach Gable Joiner Trim to outside of Gable with #8 x 1/2" screws. Repeat for other Gable.



Z Bar for sealing top of Front wall is provided in 10' lengths. Position section(s) over front wall of room with long leg against the front leg of the Deluxe front Header. Attach to Deluxe Front Header with #8 x 1/2" screws, approximately 12" apart. Cut last section to fit to corner.

Installing the Threshold

1. Cut Threshold to 35-1/2". Notch for in-swinging or out-swinging Door as shown on next page. Install with 1/4" plastic lag shields and #10 X 1-1/2" screws, unless Threshold is installed on a wood deck, in which case, omit plastic lag shields.

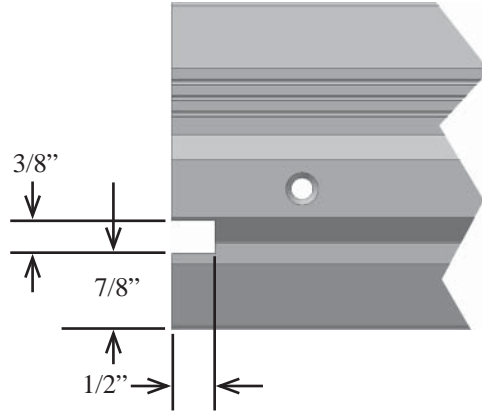
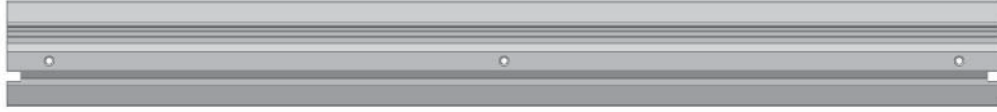


Threshold for Outswinging Door

Both sides of the Threshold are to be notched the same.

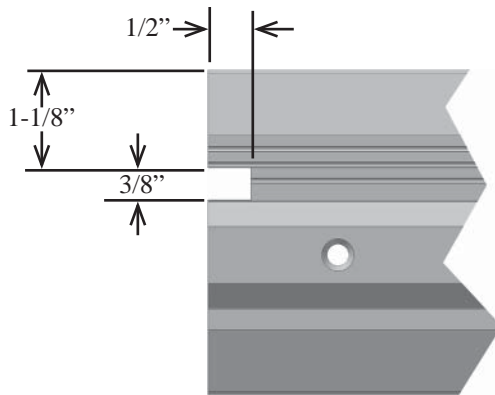
Threshold for Outswinging Door

Both sides of the Threshold are to be notched the same.



Threshold for Inswinging Door

Both sides of the Threshold are to be notched the same.

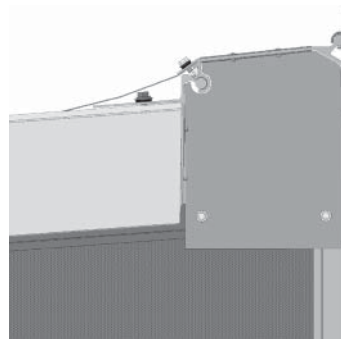


Completing the Installation

To finish the installation, find the four (4) Gable End Room Caps. The Gable End Room Cap is made to fit into the Mounting Rail after you trim it. After trimming to fit install two (2) #8 x 1/2" screws thru the Gable End Room Cap and into the inside and outside walls. Use caulk to fill small gaps.



Gable End Room Cap



Gable End Room Cap Installed