



# Dura-Breeze Portable RV Screen Room

## Installation Instructions

Read the instructions before starting the job. They explain the steps required to produce a finished product that will meet factory specifications.  
All references to "Left" and "Right" are while facing the home.






Check the material received.  
Match your shipment with the Bill of Materials.  
If there is a shortage or wrong material,  
call Dealer Service immediately.

Safety is important!  
Wear Safety Glasses and Work Gloves.  
Follow all safety practices while assembling  
and installing this product.

Dura-Bilt Products, Inc. P.O. Box 188 Wellsburg, N.Y. 14894

*Dealer Service 570-596-2000 E-Mail [info@durabilt.com](mailto:info@durabilt.com)*

DURA-BILT RESERVES THE RIGHT TO CHANGE DESIGN AND/OR SPECIFICATIONS WITHOUT NOTICE.

Fasteners	Description
	#12 x 1-1/2" Screw
	#10 x 1" Hex Heads Screw Magni 599 Coated
	#8 x 1/2" Self-Drilling Screw
	1/4"-20 x 3" Carriage Bolt
	Wing Nut

Note: The #10 x 1" Hex Head Screws are specially coated to resist the corrosiveness of the new treated lumber. They must be used.

### Tools

Hammer

Level

Tape Measure

Hack Saw

Chalk Line

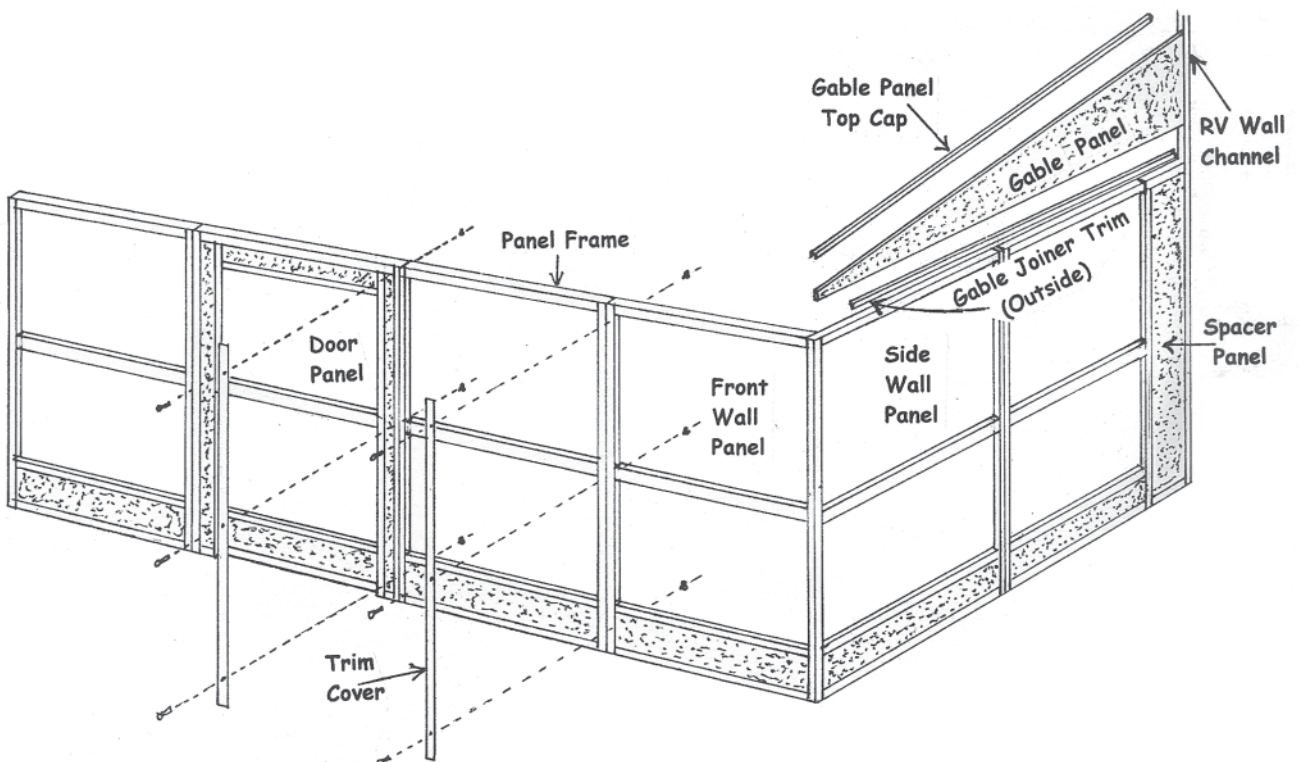
Plumb Line

Skill Saw with  
Carbide Blade

Flat Head  
Screw Driver

Clamp Drill with 5/16" & 1/4" Drill Bits

1/4" & 5/16 nut drivers



# These instructions are for installation of the Dura-Breeze Screen Room under a Dura-Fold Awning.

## General Information

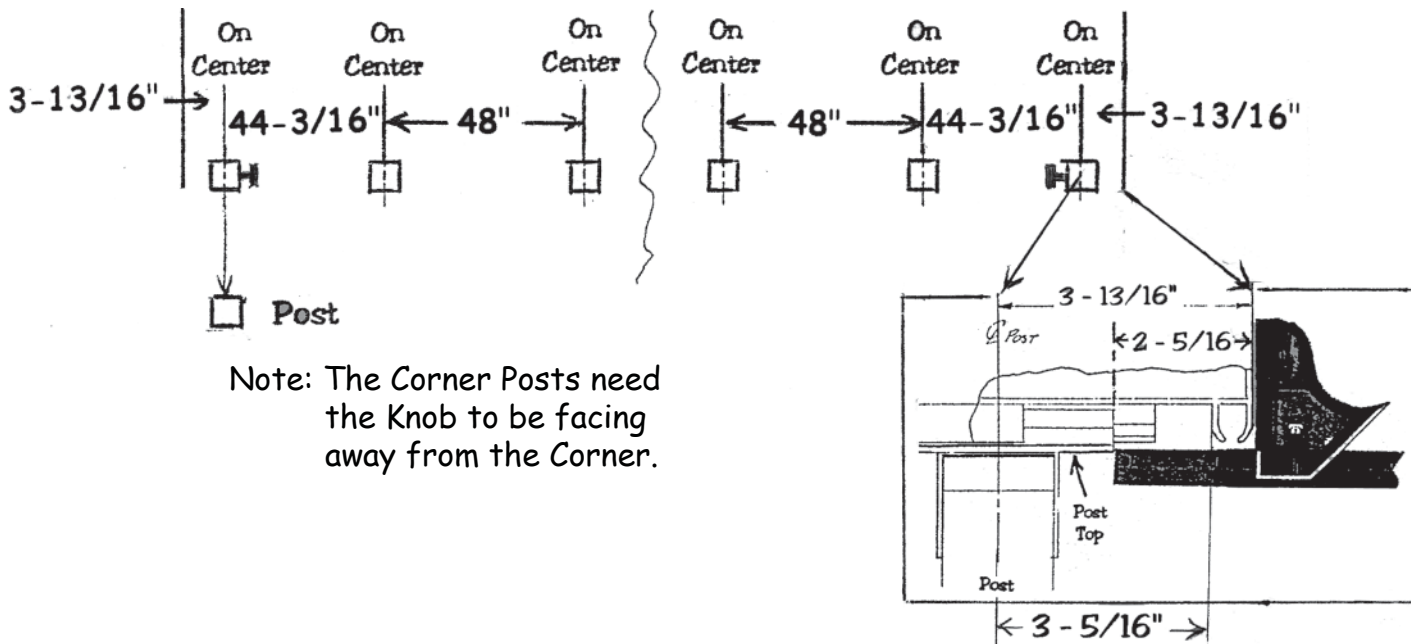
Throughout these instructions the floor of the room is referred to as "deck". The quality of the finished job is best when the deck is level and every effort should be made to level the deck, if necessary.

If the deck is concrete, it will be necessary to drill and install the provided plastic shields.

For best results installing the Screen Wall Panels, the existing awning posts must be plumb. And, the front posts must be spaced 48" on center, except at the corners where they must be 44-3/16 on center.\* See Post Spacing Drawing below.

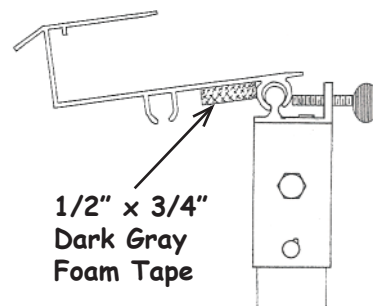
\*If your front wall is 10', 14', 18', 22', 26', etc., you will have a 24" Half-Panel at a front corner. Posts for this panel must be 20-3/16" on center.

The Corner Post is offset 3 - 13/16" to allow the side wall panel to clear the post and join the front wall panel.



Note: The Corner Posts need the Knob to be facing away from the Corner.

Install the 1/2" x 3/4" Dark Gray Foam Tape. Position it on bottom of Front Header between the Valance Track and snug up against the Post Top Track. **See Drawing.** Install the tape the full length of the awning...starting and ending at outside edge of each corner Post Top Bracket. Slice through foam tape at each edge of Coupler Lock Cover so that Cover can be removed. **Do not** remove tape from the Coupler Lock Cover.



## Installing Front Wall Panels

1. Refer to your Wall Layout Diagram and the positions for the numbered panels. Locate Panel #1. (The numbers are on the bottom of the Wall Panels.)

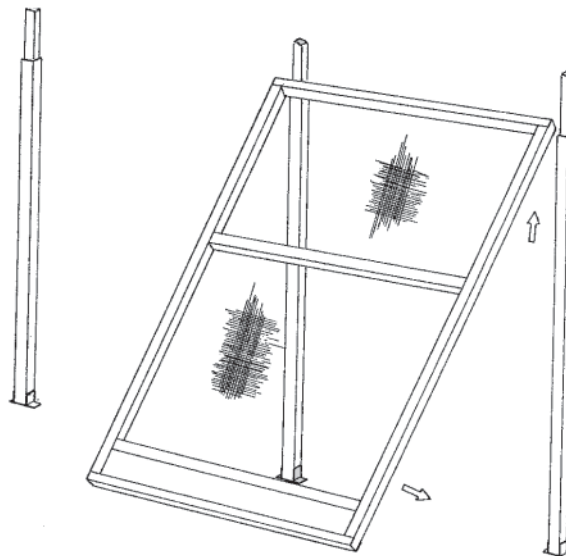
2. Starting at either front corner, loosen the black knob on each post. Then raise the front edge of the Awning at least 3/4", but not more than 1". As you raise the Awning, tighten black knobs on front posts to hold them in that position.

3. Working from outside the room, start at the right end of the front wall and slide Panel #1 up the posts and into the Front Support of Awning. Position the top of the panel between the Valance and Post Track and against the Gray Foam Tape. Swing the Panel down until flush with Post.

Then pull Panel down to the surface of the deck. Position the left edge of the panel on the center of the post. If the panel wont stay in position, loosen Black Knob and lower the Awning enough to hold panel with the foam tape resting on top of panel.

**Helpful Hint:** The right end of the panel should extend 1-1/4" past the right end of the flange of the Post Bottom Anchor.

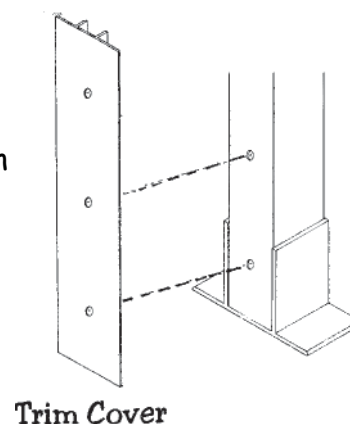
4. Refer to Wall Layout Diagram for location of Panel #2 and continue the process as before. When you come to a Door Panel, it will install the same as Standard Wall Panel.



5. Place a Trim Cover between the two Screen Wall Panels just installed. The Trim Cover must be centered on Post to accommodate the bolt and wing nut assembly. Slide the legs on the Trim Cover between the Screen Wall Panels. Check again that the Trim Cover is centered on the Post and is aligned with the bottom of the Screen Panel.

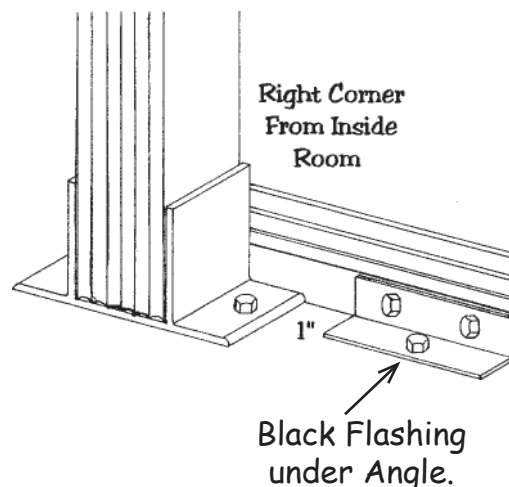
**Helpful Hint:** Front Wall Trim Covers are slightly longer than Side Wall Trim Covers.

6. Drill 5/16" holes in Post using the Pilot Holes in the center and bottom of the Trim Cover. Then install two (2) 1/4 - 20 x 3" carriage bolts with wing nuts in the bottom and center holes. **Do not install top bolt at this time.**



7. Now install the next panel(s) to the left and continue the above procedure to complete the Front Wall.

8. Secure the Right and Left Corner panels and (when installed) the Door Panel. Use Anchor Angles supplied in Hardware Package. Position the Angle flush to the inside of panel frame. Hold wall panel snug against post while installing Anchor Angle. **See Drawing.**



9. Attach Angle to Panel with two (2) #8 x 1/2" self-drilling screws. Drill 3/16" hole into deck and install #10 x 1" Hex Head Screw.

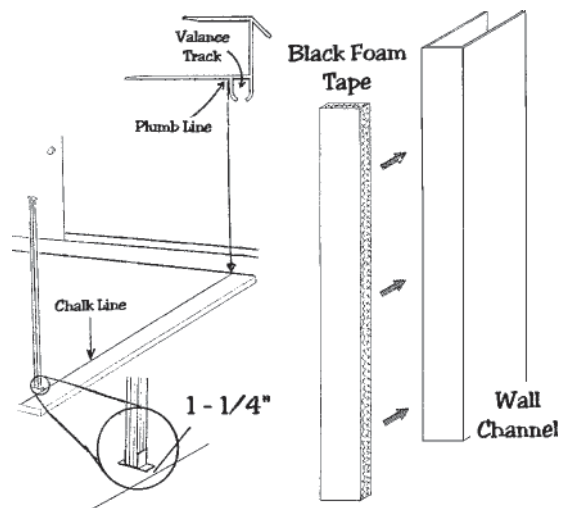
10. Attach Door Panel Angle on solid section of Panel. **See Drawing.**

After all Front Wall Panels are installed, lower the Roof to its final position.

11. Install top bolt and wing nut through Trim Covers and Post.

## Installing Side Walls Panels

1. For proper side walls installation, the front and back corners of each side wall must be plumb. Starting at the back of the awning next to the RV, drop a plumb line from the end of the Valance Track to the deck and mark that point on deck. **See Drawing.**

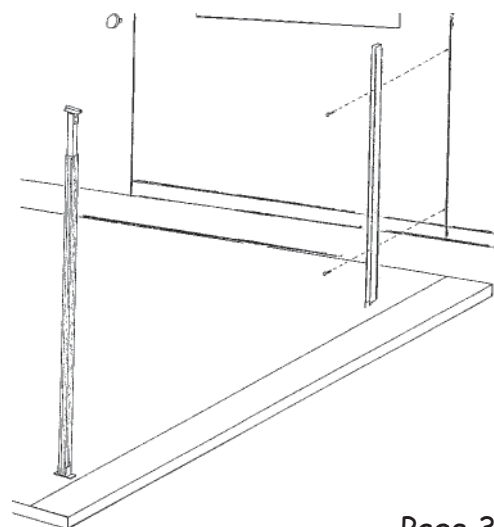


To mark the front corner point, measure out 1-1/4" from the flange of the Post Bottom Anchor.

Snap your chalk line between the two points on the deck. This line marks the location of the outside edge of the Side Wall Panel.

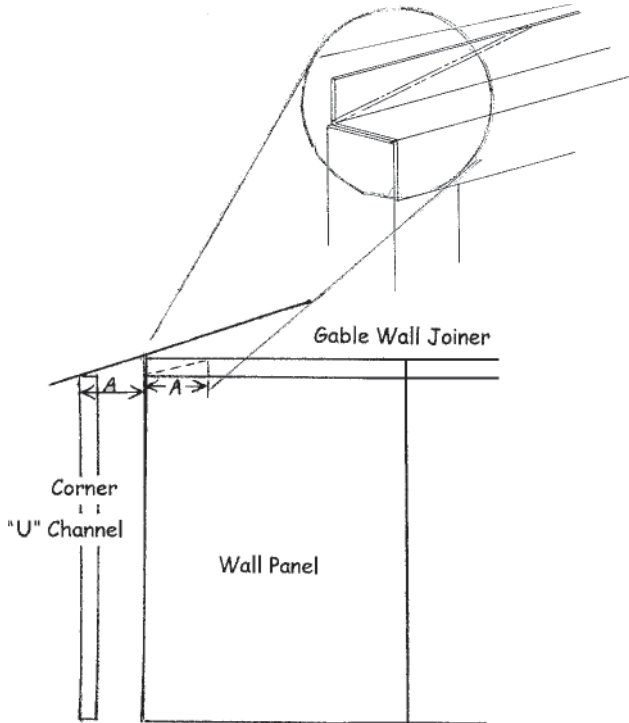
2. Before installing the RV Wall Channel to the RV, attach the provided 1" x 1" Foam Tape to the side of channel that will attach to the RV.

3. Install Wall Channel by aligning it to the inside of chalk line on deck and plumb line on side of the RV. Wall Channel runs from deck to bottom lip of Mounting Rail. Attach to RV with three #10 x 1-1/2" screws into wall of RV.



4. Refer to your Wall Layout Diagram to identify the Side Panels for the Front Corner. Align the first panel with the chalk line on the deck. Then slide it toward the Front Corner until it hits the awning.

Then measure distance 'A (see Drawing) from bottom of the vertical 'U Channel of the Front Wall Panel to the front edge of the Wall Panel.



Mark that same distance 'A back from edge of Wall Panel. From that mark just made extend it to top of Gable Wall Joiner. Draw diagonal line as shown and cut off triangular piece. Now you can slide Wall Panel into Corner Channel.

5. Continue by positioning the second Side Wall Panel indicated on Wall Layout Diagram. Temporarily set a Trim Cover in position on the Wall Panels. Hold Trim Cover in place with a clamp at the top.

6. Two Solid Spacer Panels, about six inches wide, are provided to be installed between both second Side Wall (or Door) Panels and the RV.

Also provided is a 12" piece of 'U Channel and a 12" piece of Gable Wall Joiner.

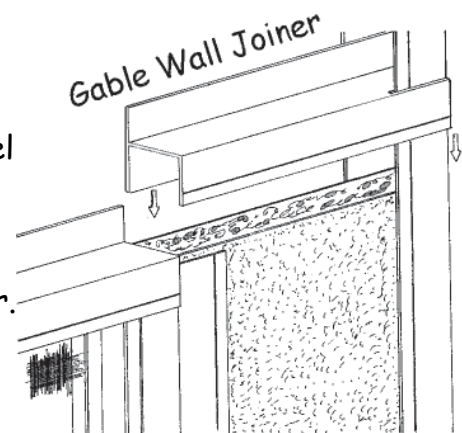
Measure the opening for the Spacer Panel from the back of the Side Wall Channel to back of RV Wall Channel. Make the measurement at both the top and bottom of the opening so the panel can be cut to compensate for the RV being out of plumb.

Measure from the Deck to top of Wall Panel (not the Gable Wall Joiner) for proper Spacer Panel height. Cut Spacer Panel to fit these measurements.

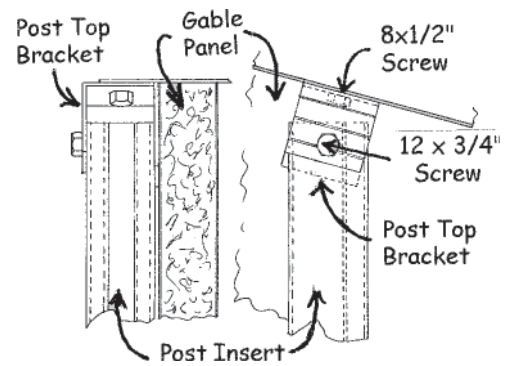
7. Remove second Screen Panel.

8. Cut a section of 'U Channel to fit bottom of Spacer Panel and slide onto the Panel. Then cut a 1" notch in each end of the 12" piece of Gable Wall Joiner as shown in drawing. Cut piece of Gable Wall Joiner to fit the top of the Spacer Panel and slide it on the Panel with the Notch toward the Wall Channel. Now slide Spacer Panel into the RV Wall Channel.

9. Replace the second Screen Panel. Replace the Trim Cover.

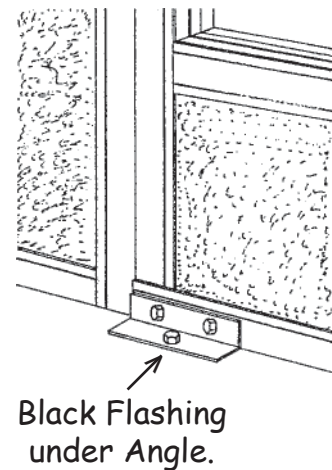


10. Install Center Post inside the room. Center Post on the joint of the two screen panels. Loosen Black Knob and adjust the post insert up into position and then tighten Black Knob to hold into position. Plumb post and then mark position of Post Top on the underside of Awning. Lower post insert and tighten knob to prevent insert from sliding down inside post. Remove Post Top Bracket and fasten in position just marked. Fasten with #8 x 1/2" screw through center of Post Top Bracket. Slide Post back up into position and install screw and wing nut. Be sure wing nut is on inside of room. Recheck to be sure post is plumb.



11. Secure bottom Post Anchor with screws supplied. When the post has been installed correctly it will leave a 1-1/4" space between head of the screw on Post Top Bracket and Valance Track. The 1-1/4" is clearance needed for Gable Panel.

Note: If You are installing Posts on a Pressure Treated Lumber Deck. You will be supplied with a piece of 4" x 4-1/2" Black Flashing with Paper coated adhesive on one side for each Post. Peel the paper off from the Flashing and stick the Flashing to the bottom of the Post Anchor. Then trim the excess Flashing from around the Post Anchor.



12. Attach Trim Cover by first drilling through pre-punched center and bottom holes and then install Bolts and Wing Nuts as in the other Trim Cover installations.

13. Install the provided 3" long Anchor Angle as you did at the front corners. It should be located at the joint of the Wall Panel and the Spacer Panel.

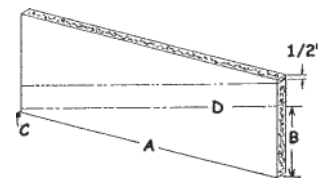
14. Repeat process for other side wall.

## Preparing and Installing Gable Panels

1. The 24" x 96" panel received with your Dura-Breeze Screen Room must be cut into two pieces to match your roof pitch.

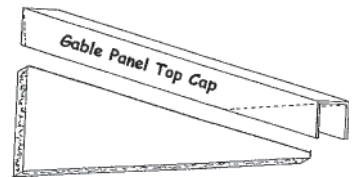
Before proceeding, make sure roof is firmly seated on the front Wall Panels.

2. Start the layout for cutting the Panel by getting measurement "A" (See Drawing) which is along the top of the Wall Panels from back of RV Wall Channel to the front end of the Side Wall Panels. Measurement "B" is the RV Wall Channel; from top of Wall Panel to top of the RV Channel. Measurement "C" is 1/2" up the side of Panel from the edge of "A". "D" is line drawn between "B" and "C". Cut Panel on line "D".

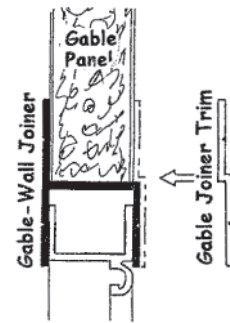


**Stop and raise Awning enough to install Gable. Lock in position.**

3. Locate Gable Panel Top Cap. Measure diagonal edge of the Gable Panel and cut the Cap to that length. Place Cap on Panel and mark the excess Cap material at the front end of Cap. Remove Cap and make necessary cuts on the Cap. Install Gable Panel Top Cap on Gable Panel.



4. Working outside the room, position Gable Panel by setting it in the Gable-Wall Joiner and behind the Valance Track. Then slide it back into the Wall Channel.



5. Attach Gable Joiner Trim to outside of Gable with #8 x 1/2" screws. Repeat for other Gable.

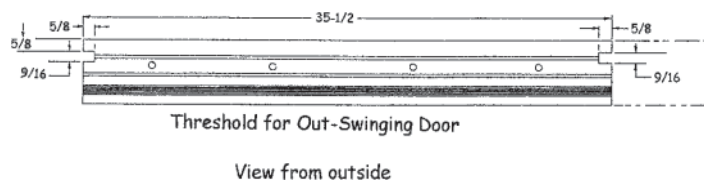
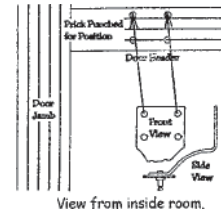
6. Lower roof until firmly seated and locked in position. The Gable Panel is now fully installed. With the roof seated and locked in the down position, now install the top bolt through each Trim Cover and post using the same process as you did with the center and bottom bolts.

## Install Door Hardware and Threshold

1. Install Door Handle following instructions provided with Handle assembly.

2. Install the Door Closer Bracket on door header using #8 x 1/2" self drilling screws.

3. Cut Threshold to 35-1/2". Notch for outswinging door as shown in drawing. Install with 1/4" plastic lag shields and #12 x 1-1/2" screws, unless installing on wood deck, in which case, omit plastic lag shields.



## Completing the Installation

To help keep bugs out of your screen room we suggest you take the following step. Remove Mounting Rail End Cap. Use foam tape supplied for RV Channel. Fold it to make it big enough to fill cavity between Gable End Panel and Mounting Rail. Insert in cavity and replace End Cap.

