

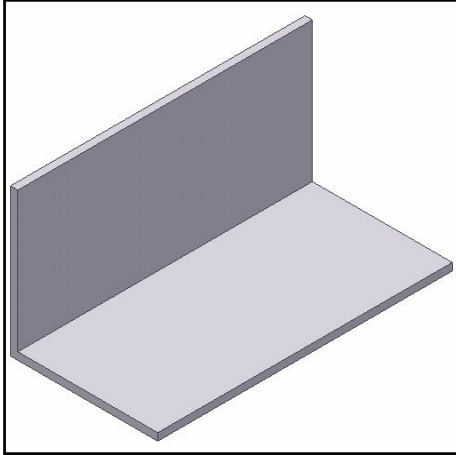


Glass Transom Installation Instructions For an All Season Room Enclosure

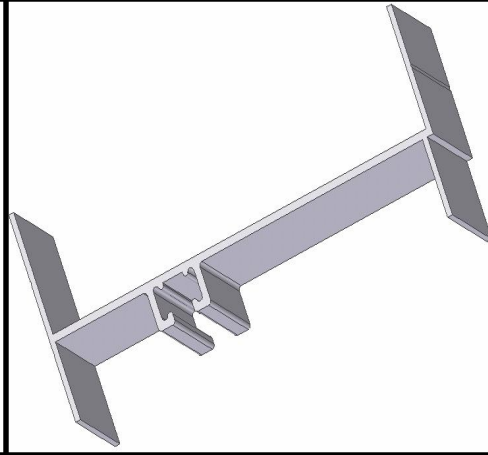
ASREGT-03

Extrusions used for Glass Transom

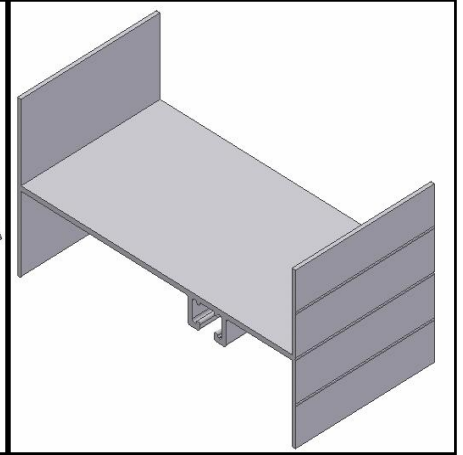
All references to "Left" and "Right" are while facing the home.



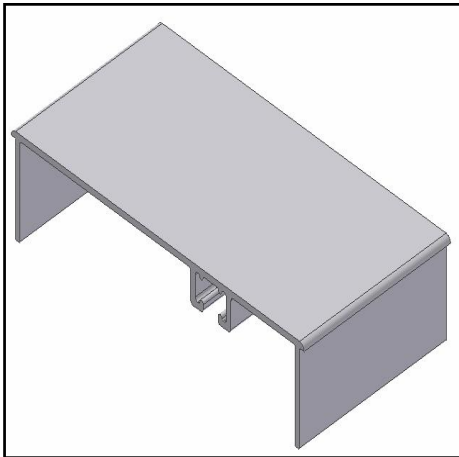
1" X 1" Angle



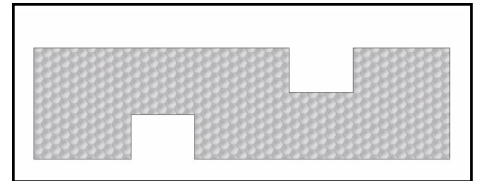
Panel Joiner



True "H" Bar



Window Surround



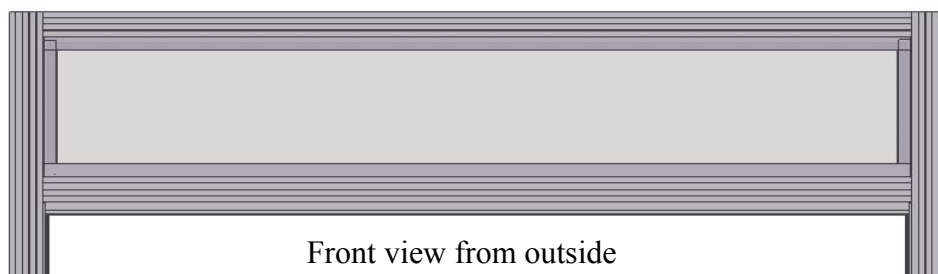
Foam insulation to be installed in the Window Surround.

Complete Window Transom over 6' wide Sliding Glass Door.

Top View



Outside



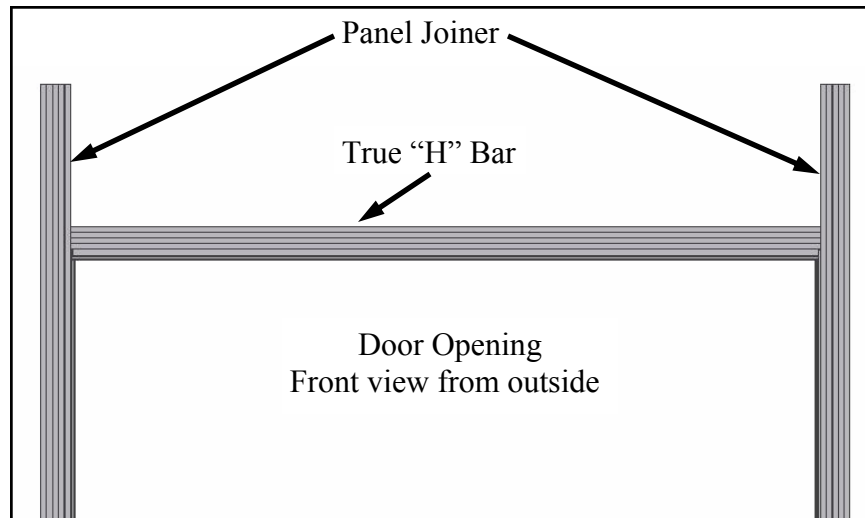
Front view from outside

Top View of the Sliding Glass Door Frame



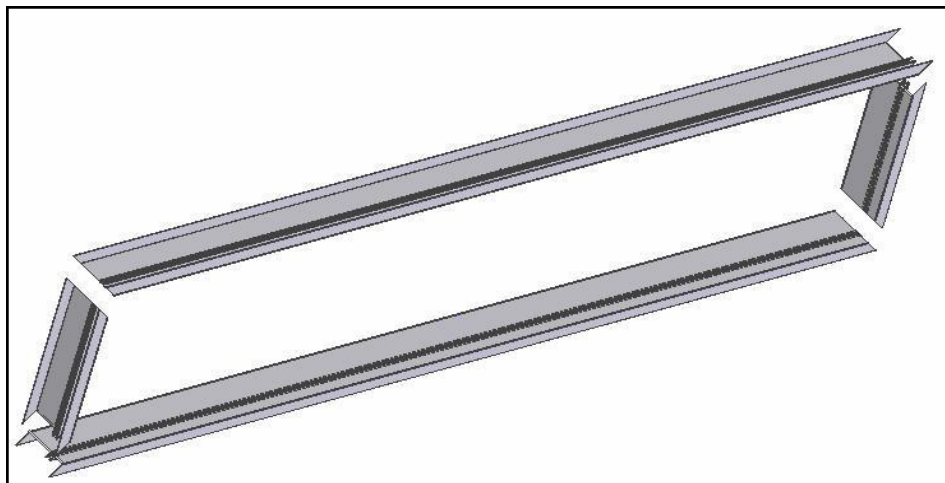
Outside

1) Two pieces of True "H" Bar will be cut to fit flush with the Panel Joiners on each side of the Door Frame. You will only use One piece of True "H" Bar at this time. While looking down from the top of the Door Frame fit the True "H" Bar over the top of the of the Door Frame. The flat side will face up with the Thermal Barrier towards the outside. Attach the True "H" Bar to the Door Frame with #8 X 1/2" screws.



2) The Window Surround will be pre-cut and mitered for you at the factory. Slide the bottom piece in first with the Thermal Barrier toward the outside. Use #8 X 1/2" screws to attach the Window Surround.

Important: You must use a 1/8" drill to pre-drill through the Panel Joiner and into each 45° corner of the Window Surround.



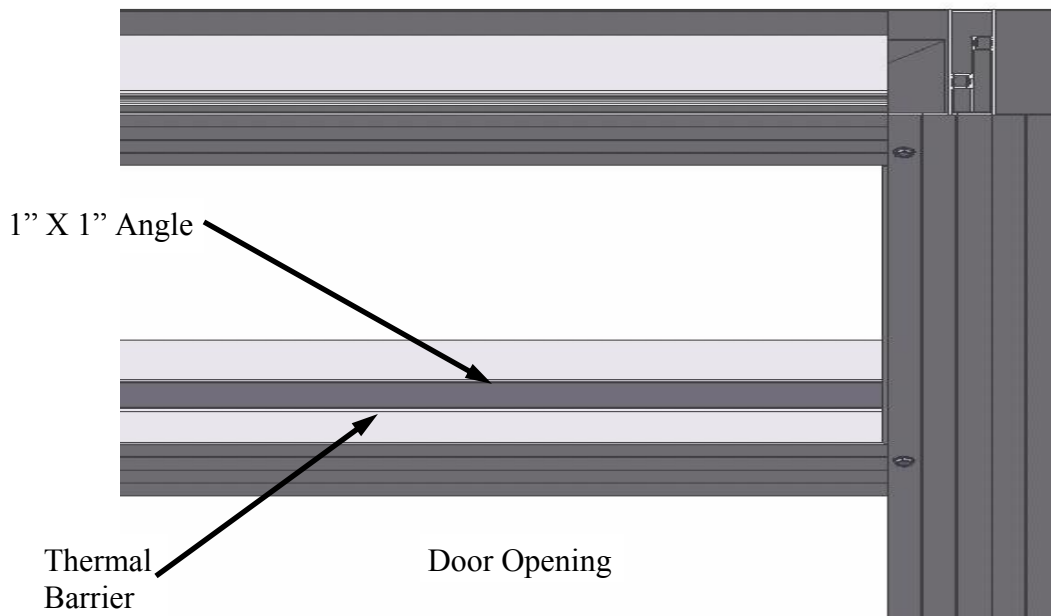
3) Install the side pieces of the Window Surround the same as in Step (2) making sure the Thermal Barrier is toward the outside.

4) Install the top piece of the Window Surround the same as in Step (2) making sure the Thermal Barrier is toward the outside.

5) Install the top True “H” Bar with the flat surface facing into the window opening with the Thermal Barrier towards the outside. Attach the True “H” Bar with #8 X 1/2” screws.

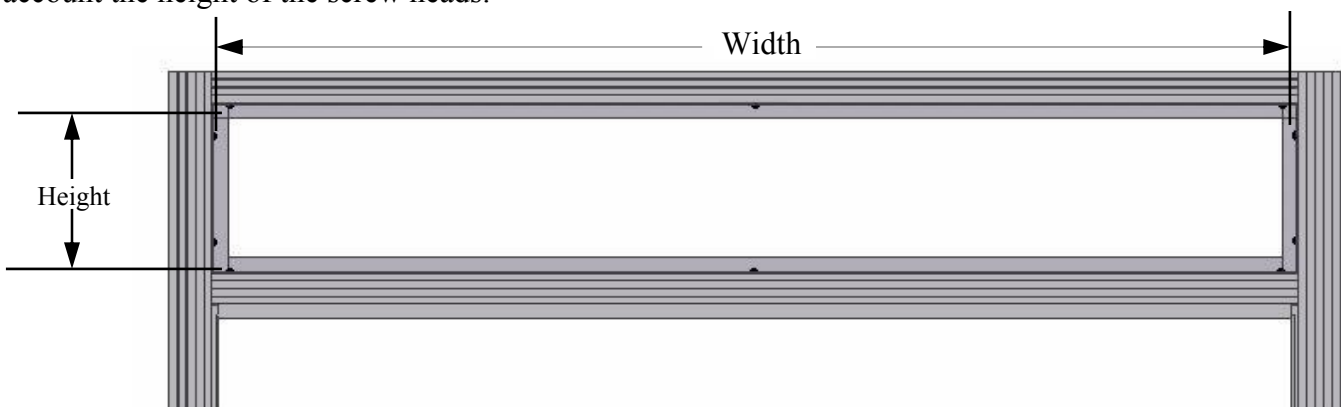
Important: You must use a 1/8” drill to pre-drill through the Panel Joiner and into each 45° corner of the Window Surround.

6) Using the 1” X 1” Angle cut the top and bottom pieces for the window to locate against. Start by Caulking the bottom of the Angle and mount to the Window Surround. One leg of the Angle up and the other leg pointing inside the room. While you are on the outside, the edge of the Angle should be behind the Thermal Barrier. Attach the Angle with #8 X 1/2” screws. Repeat for Top Angle.

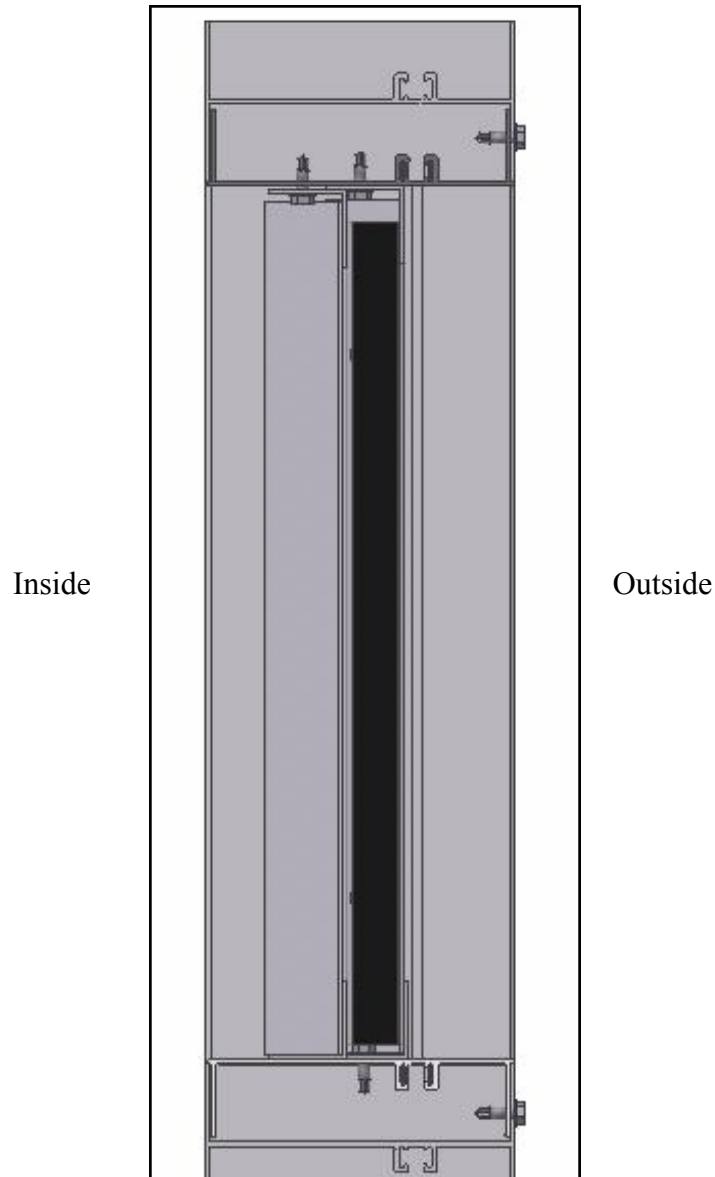


7) Using the 1” X 1” Angle cut your two side pieces. Caulk and position against the top and bottom Angles. Attach the Angle with #8 X 1/2” screws.

8) At this point you should measure the opening where the **TEMPERED** insulated glass is going to go and make a Cardboard template for each transom that will go to the glass supplier. Remember to take into account the height of the screw heads.



9) When you receive the **TEMPERED** Insulated glass from the glass supplier put Caulk on the face of the glass close to the edge and press the glass into place. Use the same procedure as in step 5 and enclose the glass with the 1" X 1" Angle using Caulk and #8 X 1/2" screws.



Side view of how it should look.