



# Gable Ends for Slide Out Cover Assembly and Installation Instructions



Before Gable End



After Gable End

Read the instructions before starting the job. They explain the steps required to produce a finished product that will meet factory specifications.

All references to “Left” and “Right” are while facing the home.

Check the material received.

Match your shipment with the Bill of Materials.

If there is a shortage or wrong material,  
call Dealer Service immediately.

Safety is important!

Wear Safety Glasses and Work Gloves.

Follow all safety practices while assembling  
and installing this product.

---

Dura-Bilt Products, Inc. P.O. Box 188 Wellsburg, N.Y. 14894

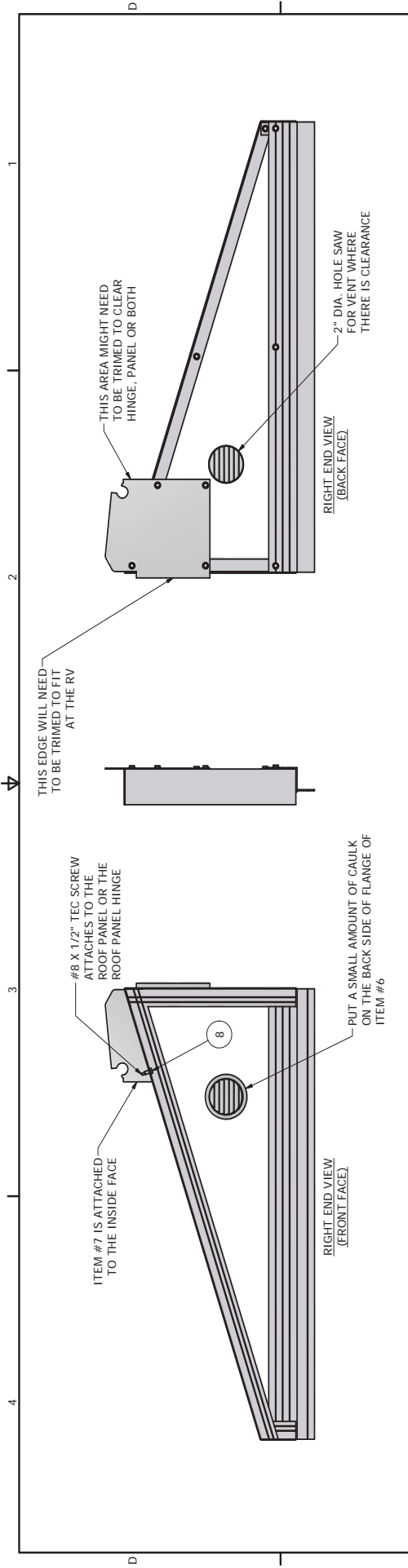
*Dealer Service 570-596-2000 E-Mail [info@durabilt.com](mailto:info@durabilt.com)*

DURA-BILT RESERVES THE RIGHT TO CHANGE DESIGN AND/OR SPECIFICATIONS WITHOUT NOTICE.

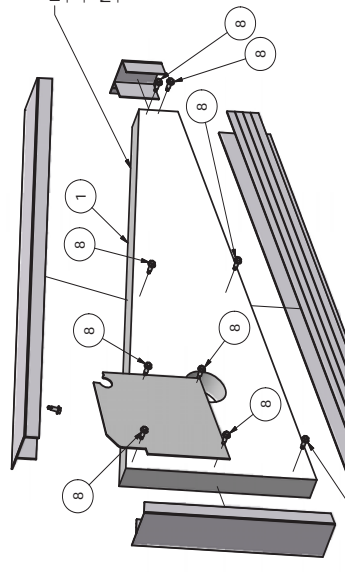
# **Instructions**

**(Refer to illustrations on previous pages)**

1. After the Dura-Fold Slide Out Cover is installed, measure the opening for the Right Gable End.
2. Take into account the thickness of the Trim Extrusions and cut the Bonded Panel to fit the opening.
3. Cut trim pieces, Item #3,4, and 5 to fit the top, front and back and then trim the excess from all corners for a good fit in the opening. Cut trim piece Item #2 to fit bottom edge of Gable End.
4. Hold Item #7 (Lasered Trim Piece) up to the side of the Gable End. Item #7 (Lasered Trim Piece) is attached to the Back Face of the Gable End.
5. Take note of how much to trim from Item #7 (Lasered Trim Piece) to have it fit properly in the cavity of the Mounting Rail of the Slide Out Cover and the side of the RV.
6. Item #7 (Lasered Trim Piece) will be attached to the Gable End with four (4) #8 x 1/2" self drilling screws.
7. Secure the trim pieces to back face of gable end with #8 x 1/2" self drilling screws as shown.
8. Using a 2" Hole Saw cut the hole for the 2" Round Vent in the Gable End in a place that will not cut into the RV.
9. Place a small amount of caulk on the back of the flange of the 2" Vent to seal and hold it in place.
10. Attach the Gable End to the RV with the #8 x 1/2" self drilling screws. Use one (1) screw thru Item #3 (Top Trim) and into the under side of the Slide Out Cover Panel or The Panel Hinge. Depending on how tight of a fit your new Gable End has in the opening, more screws may be required.
11. Repeat steps 1 thru 10 for the left Gable End.



**ENOUGH MATERIAL WILL BE SENT TO MAKE TWO (2) GABLE ENDS. ALL COMPONENTS ARE CUT TO FIT AT THE JOB SITE.**



ITEM	QTY	PART NUMBER	EXTRUSION NO.	DESCRIPTION
1	1	DF281WXXX		BONDED PANEL 24" HIGH X 36" OR 48" LONG DEPENDING ON PROJECTION OF SLIDE OUT COVER
2	1	DFG120XXW-24-000	120	BOTTOM TRIM
3	1	DFG244XXW24	244	TOP TRIM
4	1	DFG244XXW9-798	244	SIDE BACK
5	1	DFG244XXW2-000	244	SIDE FRONT
6	1	VENT-XXW2-000ROUND		2" ROUND VENT WITH SCREEN (COLOR - WHITE)
7	1	FD122WXXX		LASERED TRIM PIECE
8	10	SHSD-8		#8 X 1/2 SELF DRILLING SCREW

DRAWN	5/21/2009		
CHECKED	5/21/2009		
LGD			
OA			
MFG			
APPROVED			
SIZE	C		
SCALE			
VENTED GABLE END FOR SLIDE OUT COVER			
REV		DWG NO	DFG101WXXX

THE TWO (2) LEGS OF ITEM #2 MAY NEED TO HAVE ANGLES CUT TO MATCH THE ROOF PITCH

THE FACE OF THE LIP OF THE ITEM #2 WILL LOCATE AGAINST THE SLIDE OUT.

ITEM NO. 1 WILL NEED TO BE CUT TO FIT INTO THE GABLE END OPENING MAKING ALLOWANCE FOR THE TRIM EXTRUSIONS.

2" DIA. HOLE SAW FOR VENT WHERE THERE IS CLEARANCE

RIGHT END VIEW (BACK FACE)

RIGHT END VIEW (FRONT FACE)

PUT A SMALL AMOUNT OF CAULK ON THE BACK SIDE OF FLANGE OF ITEM #6

THIS AREA MIGHT NEED TO BE TRIMMED TO CLEAR HINGE, PANEL OR BOTH

THIS EDGE WILL NEED TO BE TRIMMED TO FIT AT THE RV