



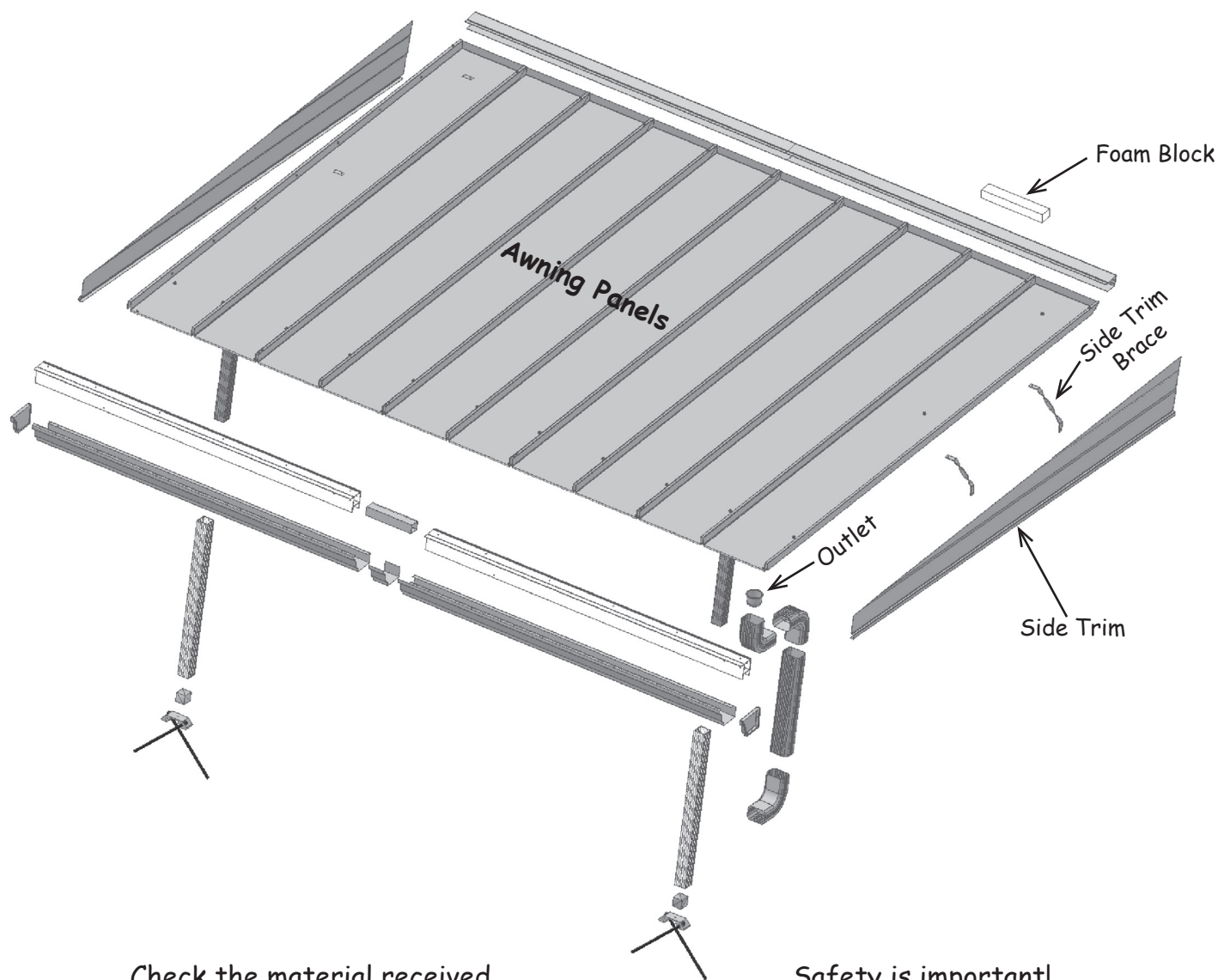
# Aluminum Awning

Galvalume Awning

## Installation Instructions

Read the instructions before starting the job. They explain the steps required to produce a finished product that will meet factory specifications.

All references to "Left" and "Right" are while facing the home.




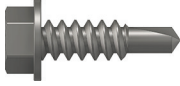

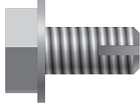

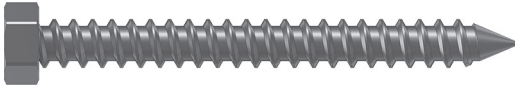
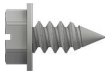
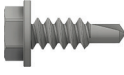
Check the material received.  
Match your shipment with the Bill of Materials.  
If there is a shortage or wrong material,  
call Dealer Service immediately.

Safety is important!  
Wear Safety Glasses and Work Gloves.  
Follow all safety practices while assembling  
and installing this product.

Dura-Bilt Products, Inc. P.O. Box 188 Wellsburg, N.Y. 14894

Dealer Service 570-596-2000 E-Mail [info@durabilt.com](mailto:info@durabilt.com)

DURA-BILT RESERVES THE RIGHT TO CHANGE DESIGN AND/OR SPECIFICATIONS WITHOUT NOTICE.

Fasteners	
Fastener	Description
	#12 x 2" Hex Washer Head Screw
	#12 x 3/4" Self Drilling Screw
	#12 x 1" Self Drilling Screw with EPDM Washer
	1/4"-20 Self Threading Screw 7/16" Hex Washer Head with Wax Dip
	Expansion Bolt (Concrete Anchor)
	#14-10 x 2-1/2" Galvanized Hex Head SMS <b>Attaches Anchor Bracket to Wooden Deck. (Full Embedment Required!!!)</b>
	#8 x 3/8" Hex Screw
	#8 x 1/2" Self Drilling Screw

## Tools Required

Drill    Tape Measure    Metal Saw

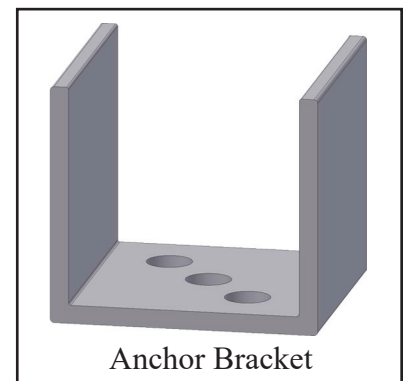
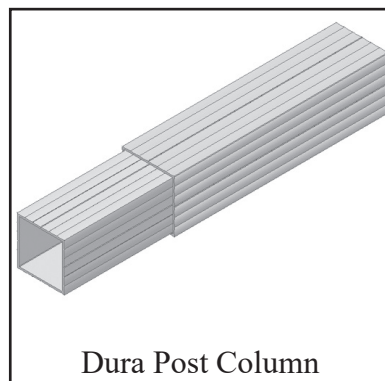
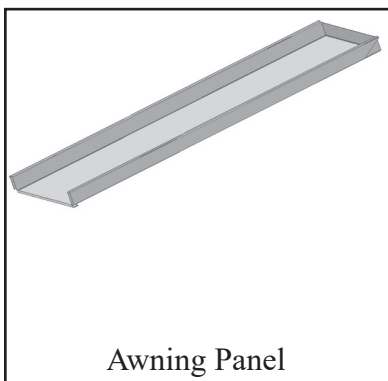
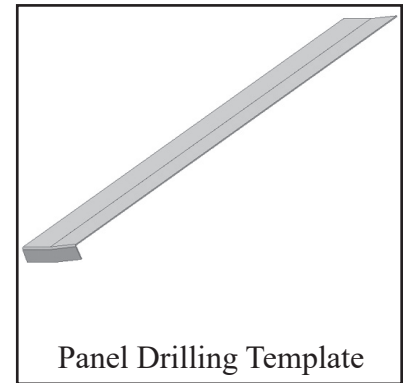
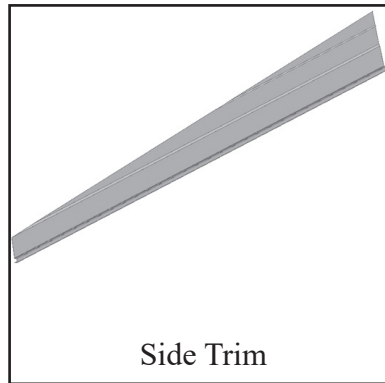
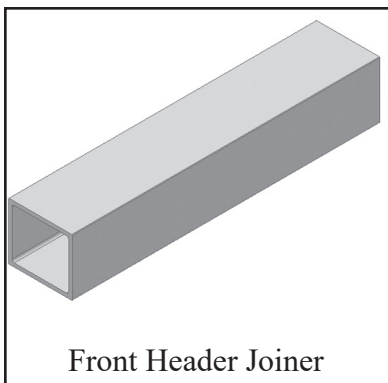
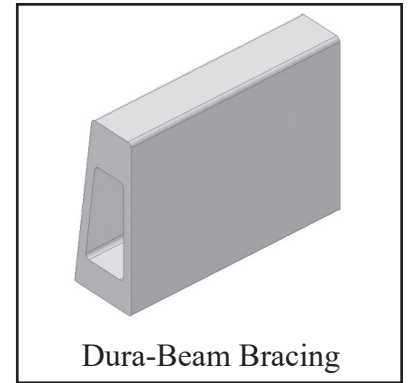
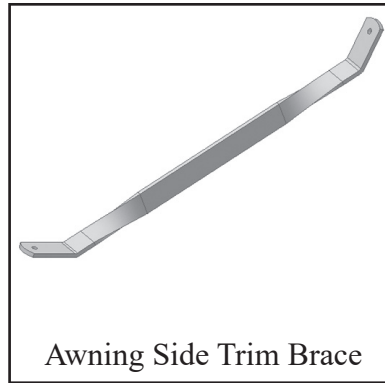
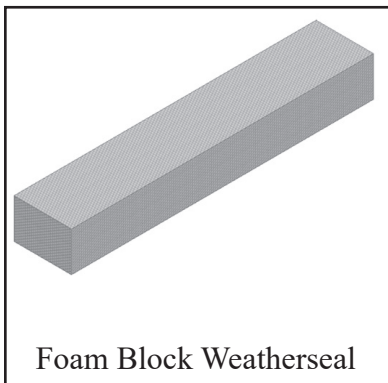
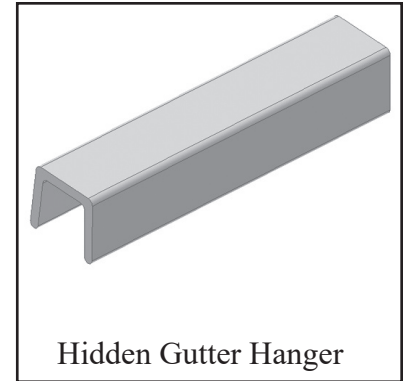
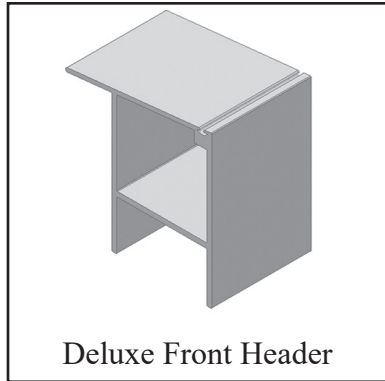
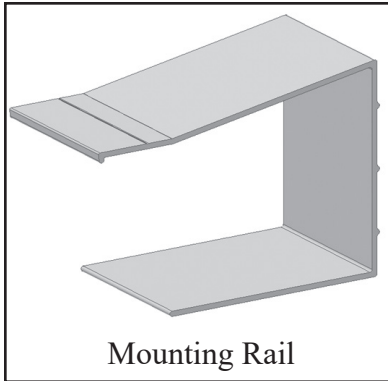
Level    Chalk Line    Clamps

Hammer    Screw Gun    Pop Rivet Gun

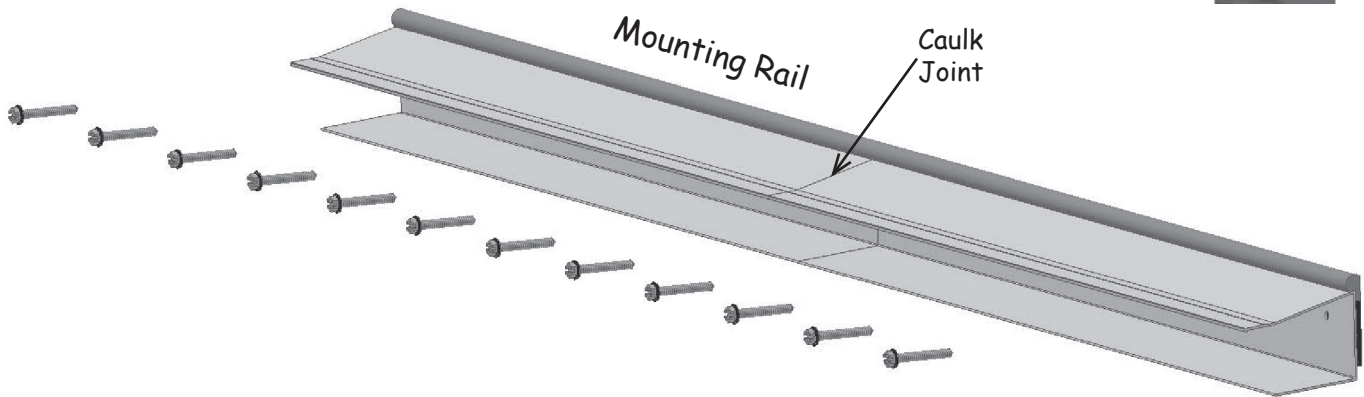
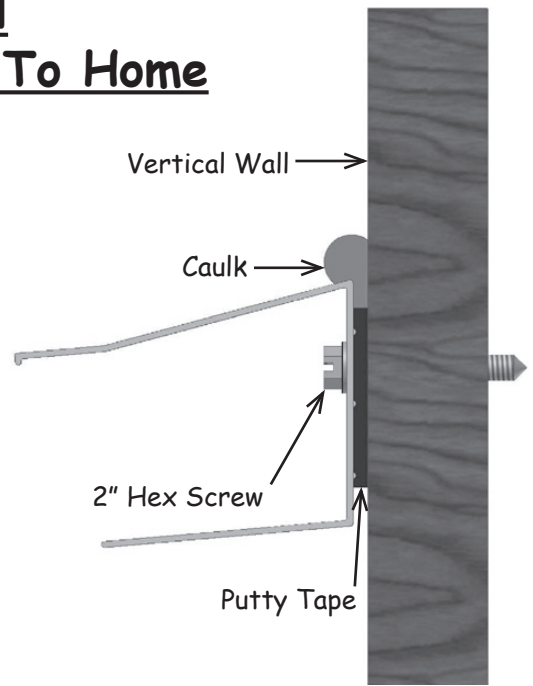
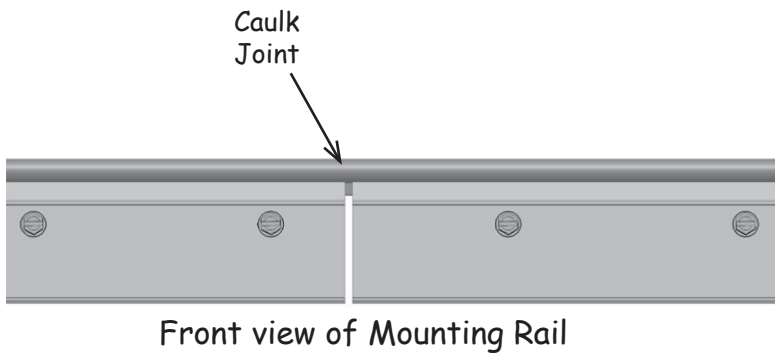
Caulk Gun    Nut Driver Bits: 1/4" - 5/16" - 3/8" - 7/16"

Drill Bits: 1/8", 3/16", 1/4" - 1/2" Masonry

# Component Descriptions



# Mounting Rail Fasten Mounting Rail To Home



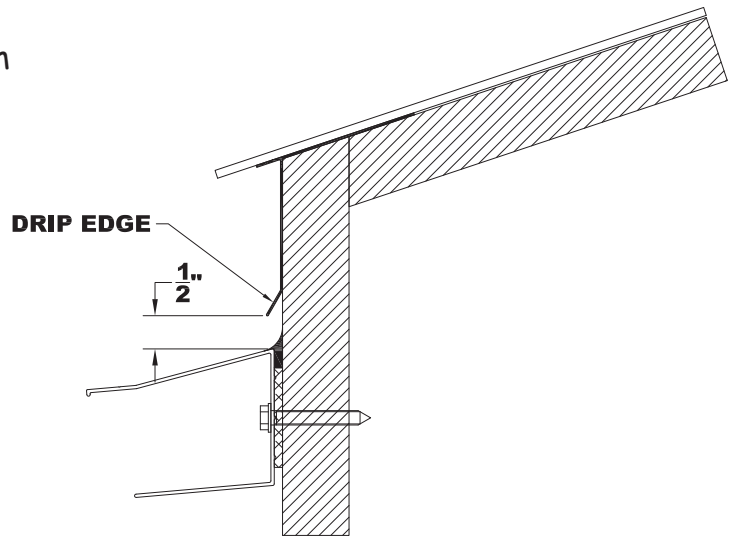
Avoid causing a weak link by fastening the Mounting Rail into studs or rafters of the home. Each installation is unique. Start by locating the framing members in the home that you can use to attach the Mounting Rail. Don't attach to fascia boards or other less substantial materials. See examples in drawings on page 4.

Attach first Mounting Rail section to home with 2" hex screws in all pre-punched holes in Mounting Rail. (protective paper must be removed from backing.) Be sure screws go into studs or rafters of the home. Install remaining Mounting Rail sections. **Helpful Hint:** Each section of Mounting Rail is 1" too long. If you receive **more than one** section, you will need to trim a certain amount of excess from any one of those sections of Mounting Rail. (See Trim Chart Below)

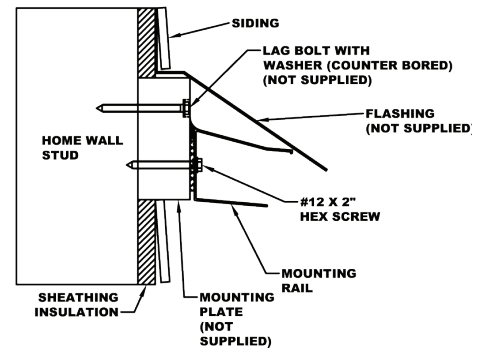
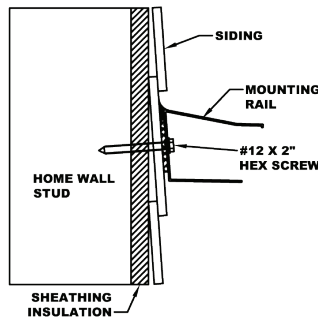
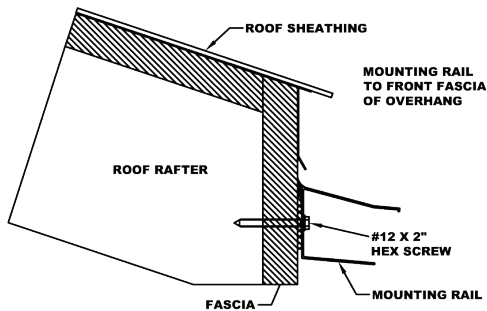
2 sections	3 sections	4 sections	5 sections	6 sections	7 sections
Trim 1 inch	Trim 2 inches	Trim 3 inches	Trim 4 inches	Trim 5 inches	Trim 6 inches

**Caulk must be applied to top of Mounting Rail to seal against leaks.**  
Apply a bead of caulk along top edge of Mounting Rail, applying a generous amount at rail joints.

Keep a minimum of 1/2" clearance between the top of the Mounting Rail and the bottom of the Roof Drip Edge on fascia application.

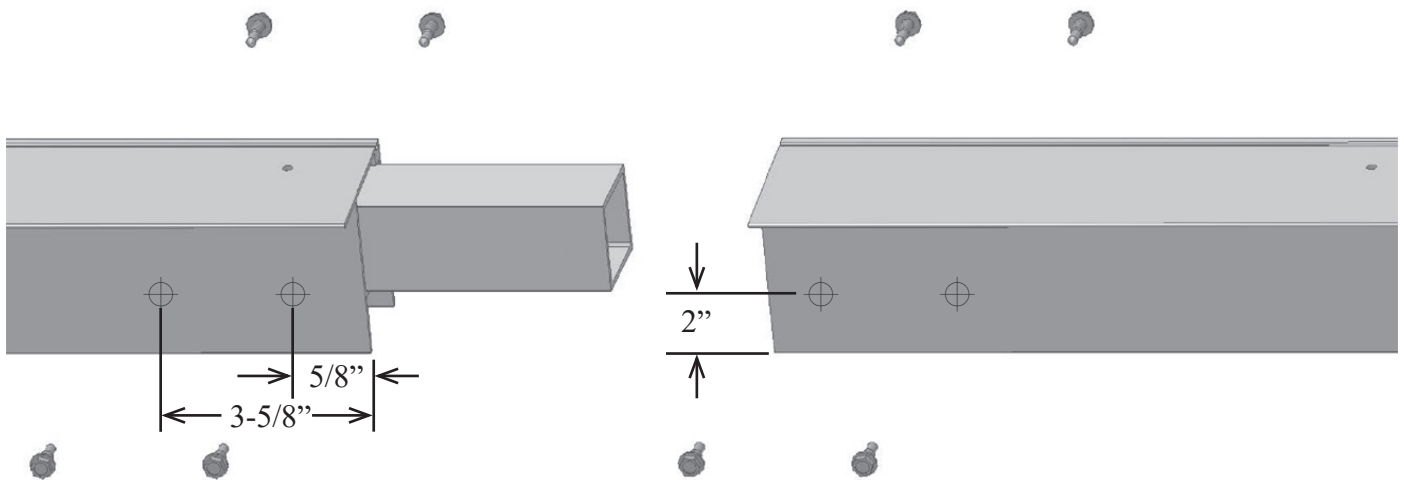


## Mounting examples



## Deluxe Front Header

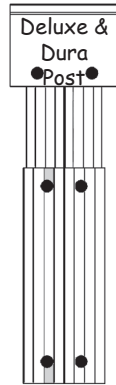
1. Layout the Deluxe Front Header section(s) on the ground. **Note:** Roofs 10' long or less do not use Header Joiners. If this applies to you, go to Deluxe Post Columns instructions on next page.



2. Insert the Front Header Joiner 4-1/4" into the Deluxe Front Header.
3. Secure in place with **four (4)** #12 x 3/4 TEK screws.
4. Insert other Joiner end into next section of Front Header and secure as in Step #3.
5. Continue this same process with remaining Deluxe Front Header Sections.

# Deluxe Post Columns Dura-Post Columns Flat Columns

1. Use table below to determine Column spacing. Then mark the location of each Column on back leg of the Deluxe Front Header.
2. Position the Adjustment Insert (located inside Post Column) into the bottom of the Deluxe Front Header.
3. Secure with four (4) #12 x 3/4" screws. Two (2) in each front corner and two (2) in each back corner.



See the instructions packed with the Flat Columns.



## Column Spacing Chart

Columns at the corners are to be set in 12" on-center from each corner

Roof Length in Feet	Number of Columns	Spacing on Center
4	2	2'
5	2	3'
6	2	4'
7	2	5'
8	2	6'
9	3	3'-6"
10	3	4'
11	3	4'-6"
12	3	5'
13	3	5'-6"
14	3	6'
15	4	4'-4"
16	4	4'-8"
17	4	5'
18	4	5'-4"
19	4	5'-8"
20	4	6'
21	5	4'-9"
22	5	5'
23	5	5'-3"
24	5	5'-6"
25	5	5'-9"
26	5	6'

Roof Length in Feet	Number of Columns	Spacing on Center
27	6	5'
28	6	5' 2-3/8"
29	6	5' 4-3/4"
30	6	5' 7-1/4"
31	6	5' 9-5/8"
32	6	6'
33	7	5'-2"
34	7	5'-4"
35	7	5'-6"
36	7	5'-8"
37	7	5'-10"
38	7	6'
39	8	5' 3-3/8"
40	8	5' 5-1/8"
41	8	5' 6-7/8"
42	8	5' 8-1/2"
43	8	5' 10-1/4"
44	8	6'
45	9	5' 4-1/2"
46	9	5'-6"
47	9	5' 7-1/2"
48	9	5'-9"
49	9	5' 10-1/2"
50	9	6'

Roof Length in Feet	Number of Columns	Spacing on Center
51	10	5' 5-3/8"
52	10	5' 6-5/8"
53	10	5'-8"
54	10	5' 9-3/8"
55	10	5' 10-5/8"
56	10	6'
57	11	5'-6"
58	11	5' 7-1/4"
59	11	5' 8-3/8"
60	11	5' 9-5/8"
61	11	5' 10-3/4"
62	11	6'
63	12	5' 6-1/2"
64	12	5' 7-5/8"
65	12	5' 8-3/4"
66	12	5' 9-3/4"
67	12	5' 10-7/8"
68	12	6'
69	13	5'-7"
70	13	5'-8"
71	13	5'-9"
72	13	5'-10"
73	13	5'-11"
74	13	6'

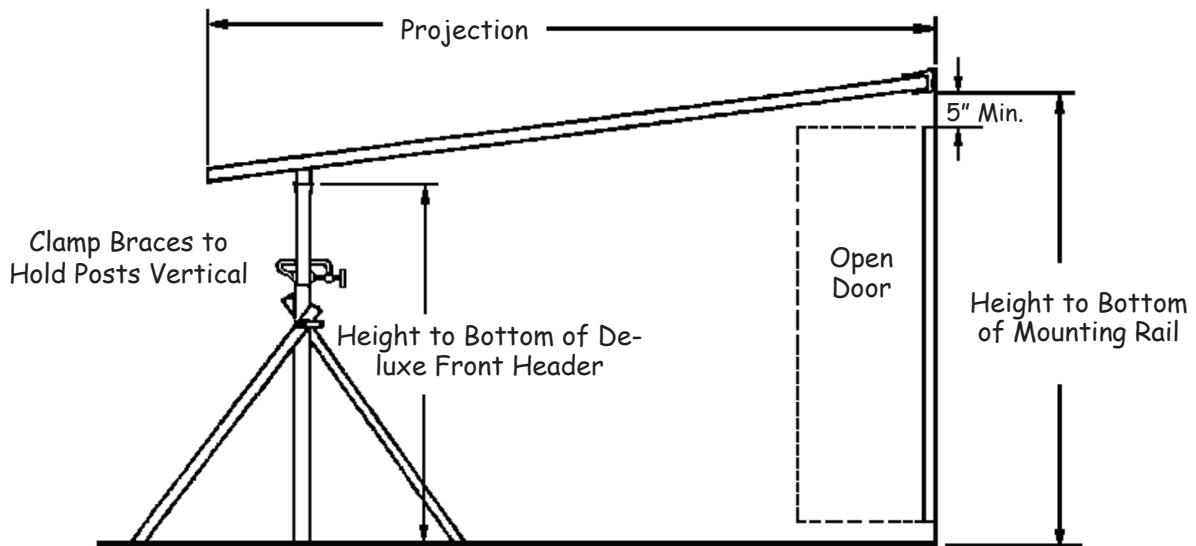


4. Determine post length and then pull out post section to that length. Clamp inserts after wrapping with a piece of cardboard to protect the painted surface.

**Note:** Post height should result in a roof pitch of approximately 1" per foot.

5. Erect Post Columns and Deluxe Front Header so that they line up with the Mounting Rail.

6. You may need to clamp braces to hold columns vertical.



## Awning Panels

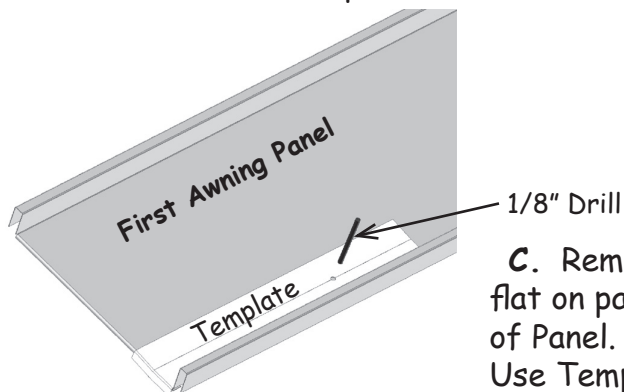
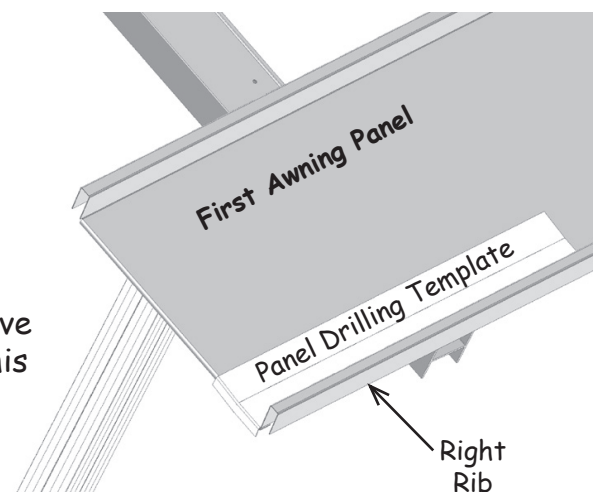
If you're installing Panels **WITH DURA BEAM BRACING**, turn to section **Installing Panels with Dura-Beam Bracing**.

If you're installing Panels **WITHOUT** Dura-Beam Bracing continue below.

1. Because it is necessary to position screws properly through Panels into the Deluxe Front Header we provide a template for you to mark the correct screw position for your awning.

**A.** Place Mounting Rail end of an Awning Panel into the right-hand end of the Rail with the **outer edge** of the Panel Rib flush with end of Rail. The Front end of the Panel should be resting on the right edge of Deluxe Front Header with the **inside edge** of Panel Rib flush with end of the Deluxe Front Header.

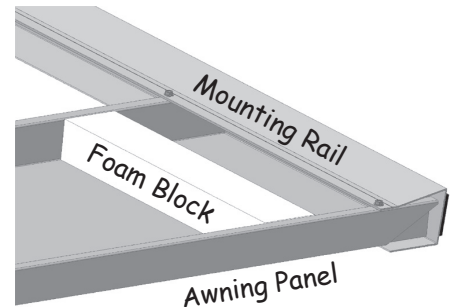
**B.** Stand on ladder to look down length of Header. Place Template as shown and make a mark in the Groove of the Template directly above center of Header. This is the location for the pilot hole.



**C.** Remove Panel, place on ground and position Template flat on panel against inside side of rib at right front end of Panel. Drill 1/8" hole through the mark on Template. Use Template to drill 1/8" hole in rest of Panels.

2. Position first panel into Mounting Rail and on top of Deluxe Front Header as in "A" on previous page. Then add the next two panels by placing Right Rib of second panel over Left Rib of the first Panel already in place and slide it fully back into Mounting Rail. While you are in position at the Deluxe Front Header, adjust Panels so that the front edges are lined up evenly. Make sure hole in each Panel is lined up with hole in Deluxe Front Header. Balance of Panels are installed using same process, making sure that front edges are evenly aligned.

3. Move to the Mounting Rail and install #8 x 1/2" screw down through the Vee Groove on top of Mounting Rail into the Panel Rib. Repeat for each Panel. Install Foam Weatherseals as each Panel is fastened into place.



4. Move back to Deluxe Front Header and install #12 x 1" screws with EPDM washer through holes in Panels and pre-punched holes in the Deluxe Front Header.

5. Move to midway between Mounting Rail and Deluxe Front Header and install #8 x 1/2" screw through side of each Panel Rib, near the center of Ribs, to lock them together.

6. Continue this procedure until you reach the last Panel.

7. Install last Panel in the same way as the first Panel. Then place Panel Drilling Template on the left side against Rib, drill and install screw.

## Installing Panels with Dura-Beam Bracing

1. Go back to Page 6 and follow Steps 1-A, B and C. Then return to this page.

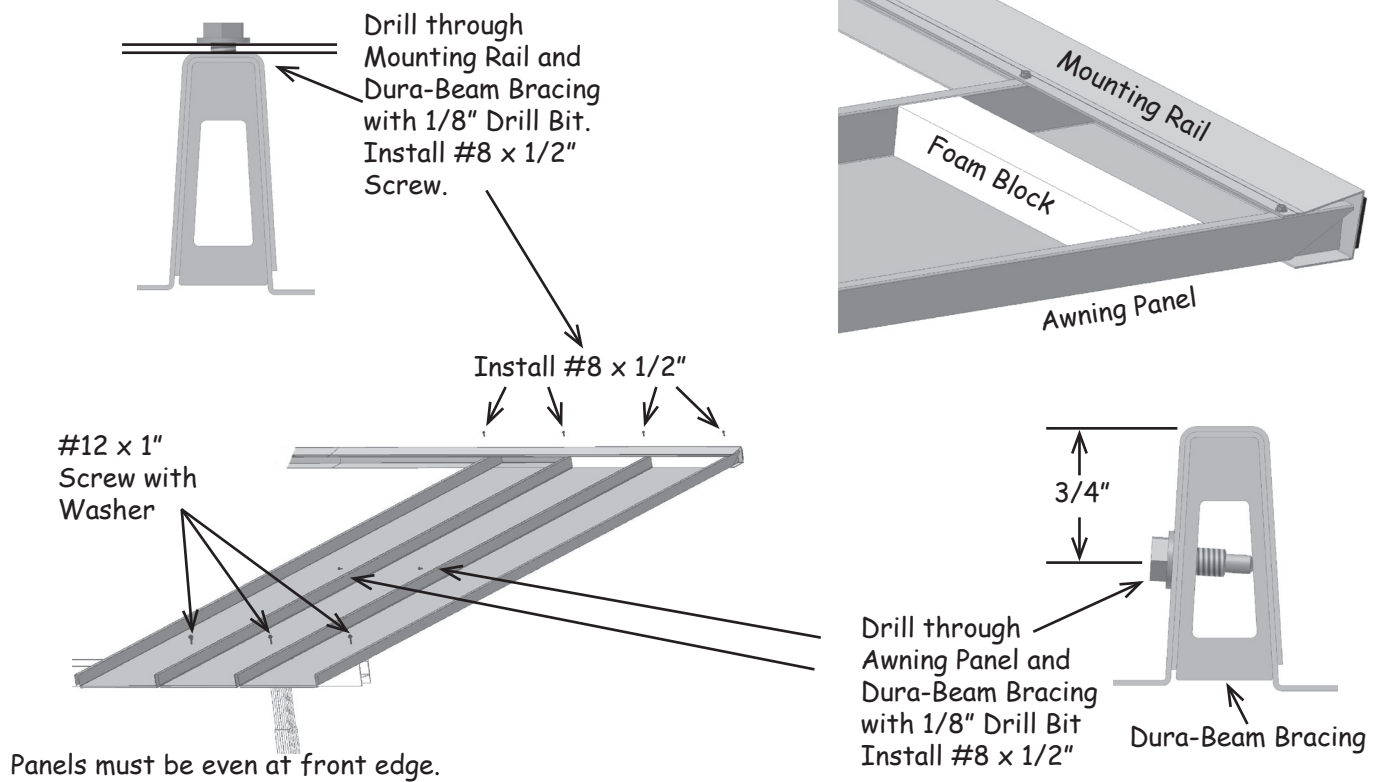
2. Re-position first panel into Mounting Rail and top of Deluxe Front Header as in Step A on Page 6.

3. Before placement of second and third panels, insert Dura-Beam Brace into front end of left Rib of each panel, nesting it tightly into Panel Rib. The Dura-Beam Brace must go all the way into Rib until it is against back of Mounting Rail. Be sure that the Front end of the Dura-Beam Brace is resting on the Deluxe Front Header.

Now place second and third panels, inserting Dura-Beam Braces as you go. Make sure each panel has a Dura-Beam Brace inserted fully into the Mounting Rail with front of Panel lined up with the hole in the Deluxe Front Header. You may have to force Panel into position to line up holes, but it is important that front edges of panels are even.

4. Move back to Mounting Rail and drill down through Mounting Rail Vee Groove into the Panel Ribs using a 1/8" drill bit. Install #8 x 1/2" screws in pilot holes. Install Foam Weatherseals as each Panel is fastened into place.





5. Move Back to Deluxe Front Header and install #12 x 1" screws with EPDM washer through holes in Panels and pre-punched holes in Deluxe Front Header that you lined up in Step 3.

6. Move to midway between Mounting Rail and Deluxe Front Header and drill 1/8" pilot hole near vertical center of Rib. Hole Should go through side of Rib and Dura-Beam Brace. Install #8 x 1/2" screw to lock Ribs and Dura-Beam Brace together.

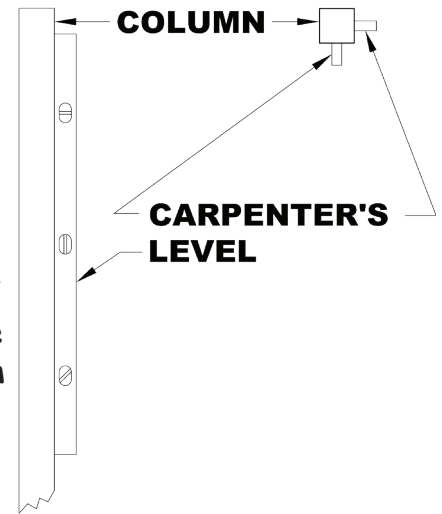
7. Continue this procedure until you reach last panel. Install last panel in same way as first panel. Then place template on left side against Rib, drill and install screw.

**Note:** Dura-Beam Bracing is not installed in Panel Ribs requiring Side Trims.

## Column Anchoring

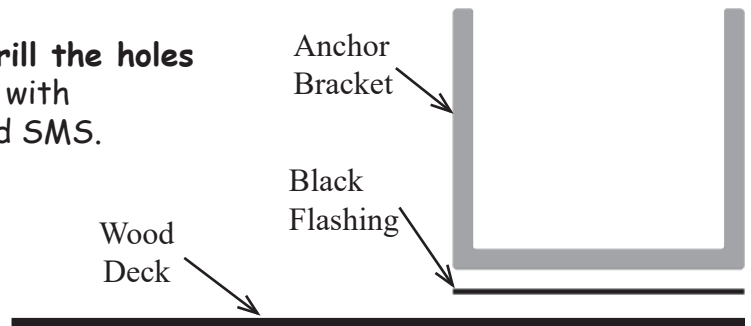
1. Make sure Columns are plumb in both directions
2. Mark location for Anchor Brackets.

**Note: If you are installing Columns on a Pressure Treated Lumber Deck. With your order you will receive a 4" x 4-1/2" piece of Black Flashing with paper coated adhesive on one side for each Dura-Post and Deluxe Post. Peel the paper off from the Flashing and stick the flashing to the bottom of the Anchor Bracket. Then trim the excess Flashing from around the Anchor Bracket.**



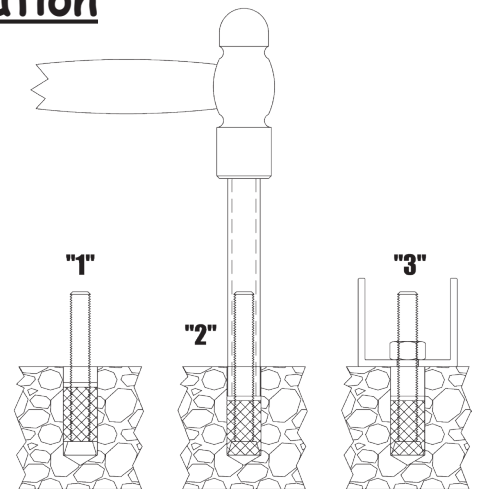
3. Move Columns aside from marked locations and install Anchors.

**Note: You must use a 1/8" drill and pre-drill the holes for the fastener. Attach Bracket to wood with two (2) #14-10 x 2-1/2" Galvanized Hex Head SMS. (Full Embedment Required!!!)**



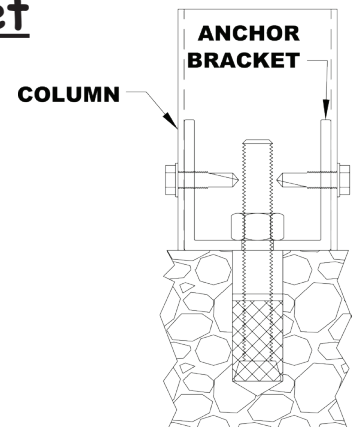
## Concrete Anchor Installation

1. Drill hole 1-1/2" deep with a 1/2" masonry drill bit. Insert Anchor Bolt, Expanding Ferrule, Lead Anchor and Washer.
2. Use hammer and 1/4" pipe to seat Anchor.
3. Place Anchor Bracket over Bolt and secure with 1/4" nut.



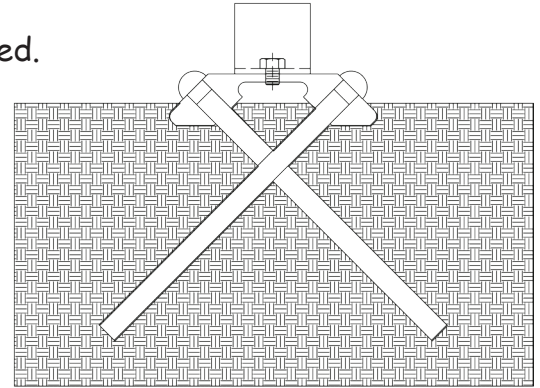
## Installing Column Anchor Bracket

1. Slide Deluxe Post Column over Anchor Bracket.
2. Secure Column to Anchor Bracket with four (4) #12 x 3/4" Self-Drilling Screws.



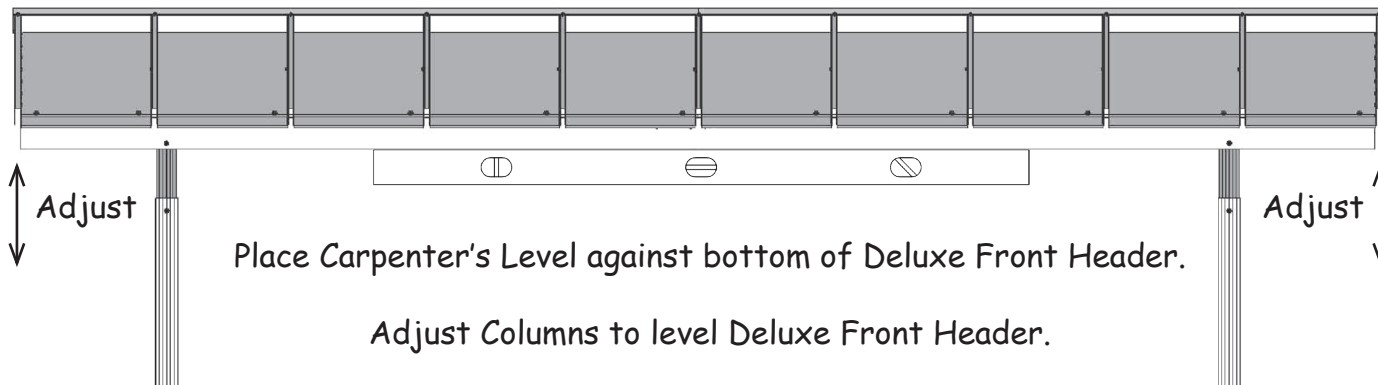
# Soil or Blacktop Anchoring

1. Secure Anchor Bracket to Anchor with 5/16" bolt provided.
2. Install Column to Anchor Bracket as described above.
3. Tap Soil Anchor lightly to set in place.
4. Drive Soil Anchor Pins alternately until flush with top of fitting.



Note: The Soil Anchor Pins are 1/2" dia. x 24" long Oval Head Round Steel Pins made from C-1018 Material entering the soil @ 45°.

# Leveling



Place Carpenter's Level against bottom of Deluxe Front Header.

Adjust Columns to level Deluxe Front Header.

Secure with four (4) #12 x 3/4" self-drilling screws each place where Columns and Inserts adjust.

## Installing Gutter

Gutter is shipped in lengths of: 16'-3", 12'-3", 10'-3" and 5'

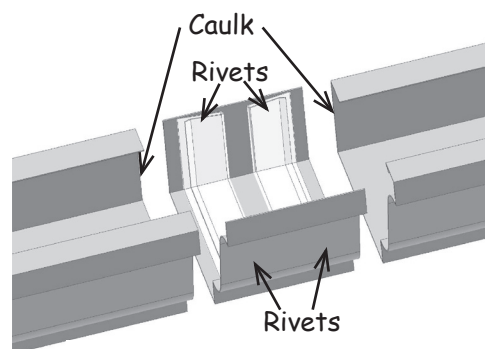
1. Decide where downspouts will be located. This will determine where the Outlets will be installed in the gutter.
2. Mark gutter where the Outlets are to be installed. The round Outlets will allow the elbows to be rotated to any position you want.
3. To install Outlet, cut a 2-3/8" round hole centered in the bottom of the gutter. Then simply push Outlet down through gutter until it snaps into position. No caulk, screws or rivets are required to install the Outlet in the gutter.
4. If you have gutter sections to be joined, it is recommended to do it while on the ground.

The sections may be joined by one of the following methods.

### Method #1

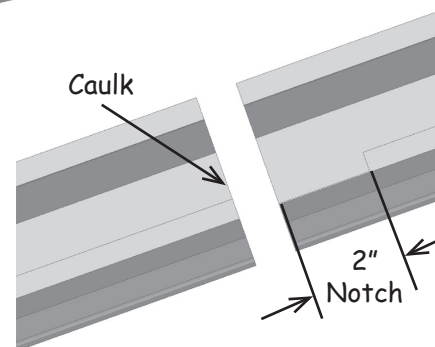
Use the Gutter Joiner provided. Caulk ends of gutter, then slide gutter sections into the Joiner seams. Pop Rivet the joints where shown. Then smooth caulk in the seams of Joiner and gutter.

**Note: Cream Gutter Joiners are not available use Method #2.**



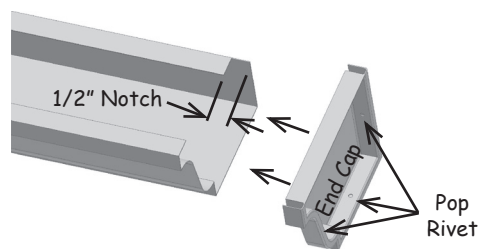
### Method #2

Cut a 2" notch in front and back walls of gutter as shown. Caulk the section not notched. Then slide the notched section inside the caulked section. Install Pop Rivets in bottom and each side.

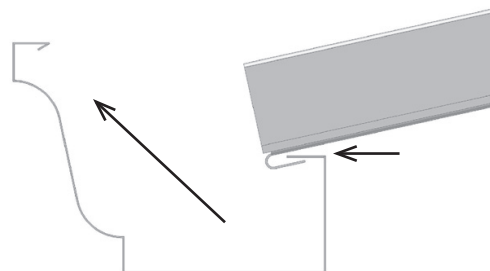


**Helpful Hint:** For a professional looking installation, make gutter cut-offs at the ends that will be hidden in the Joiner (Method #1) or inside another section (Method #2).

5. Install the End Caps. Cut 1/2" notch out of gutter back lip as shown. Caulk end of gutter. Install End Cap. Pop Rivet in locations shown.

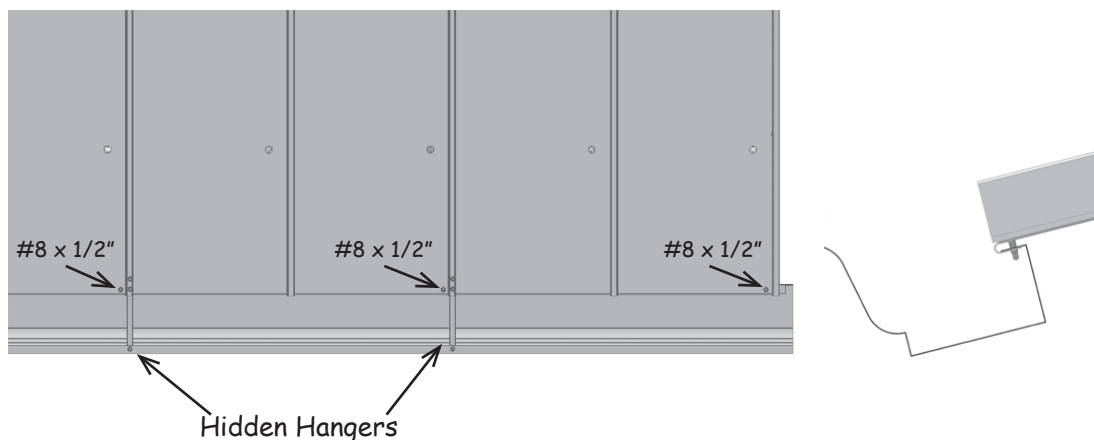


6. Enough gutter has been provided to allow some extension of gutter past ends of awning. Raise gutter into position at eave, then lift-up front of gutter in a "rolling up" motion. At same time slide back of gutter under the lip of the awning. See drawing.

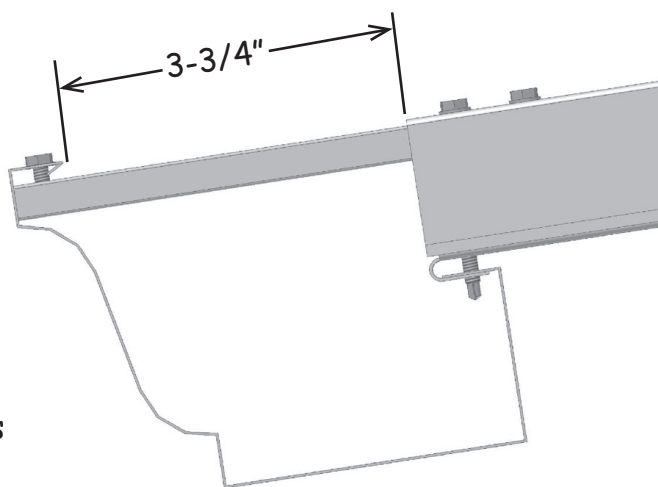


Pull front gutter toward you to seat back lip of gutter. Then rotate front of gutter down.

7. Attach gutter to awning panels with #8 x 1/2" screws every 24". See drawing.

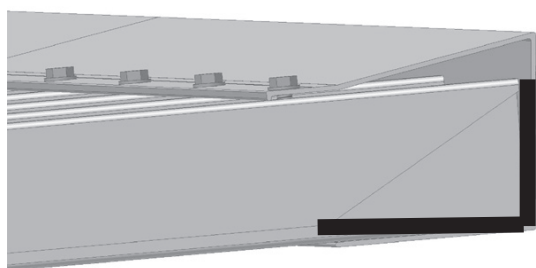


8. Insert Hidden Hangers into every other awning rib beginning and ending with the second rib from each end. Slide Hanger into rib then pull back under front lip of gutter until it stops at front of gutter. See drawing. If you have Dura-Beam Bracing, you may hit it as you slide Hanger into rib. There is enough flexibility in gutter to allow pulling forward so Hanger clears front lip of gutter. Fasten each Hanger with three #8 x 1/2" screws. Locate screws as shown in drawing.

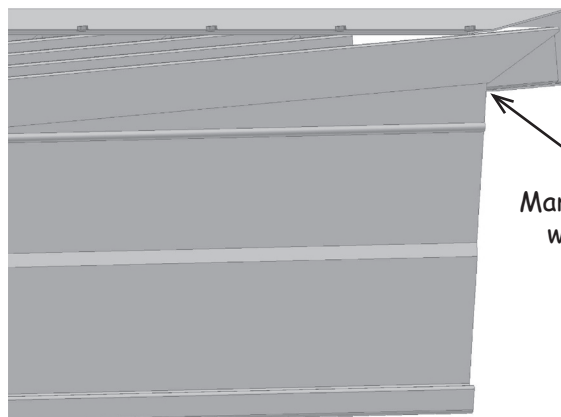


Install first screw in front lip of gutter. Then adjust hanger so there is 3-3/4" from inside edge of gutter to the awning rib. Install other two screws into rib and hanger as shown.

# Fitting and Installing Side Trims



Caulk End Panels inside Mounting Rail as shown.



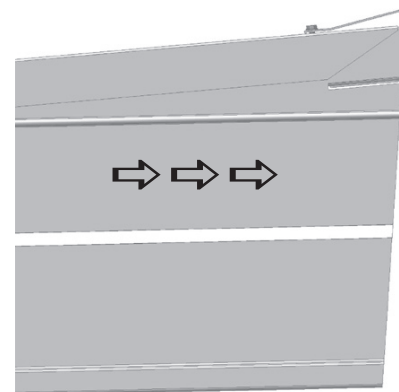
Mark Side Trim with pencil.

Insert Side Trim fully up into End Panel Rib. Then slide toward home until it stops at bottom leg of Mounting Rail. Mark that position on Side Trim. Remove Side Trim and cut notch for Mounting Rail Leg.



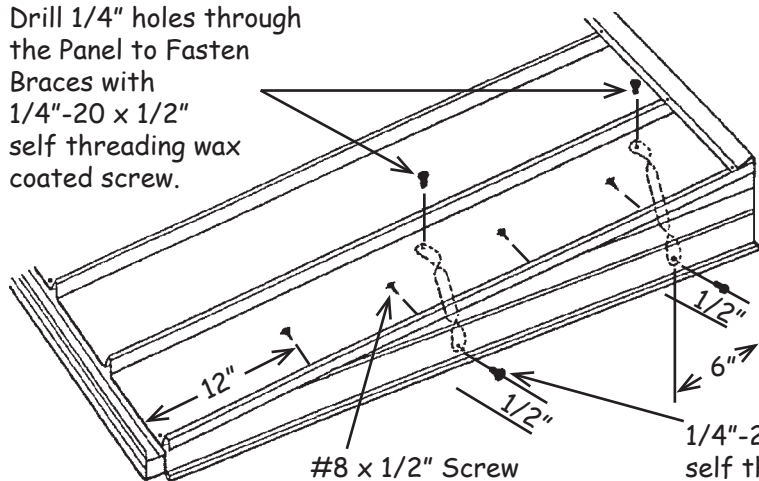
Cut Notch

Insert Side Trim into End Panel Rib. Push back until notch seats in Mounting Rail. Front Tab of Side Trim will rest against back of gutter.



After Side Trim is in place, Caulk Side Trim to Mounting Rail.

Drill 1/4" holes through the Panel to Fasten Braces with 1/4"-20 x 1/2" self threading wax coated screw.

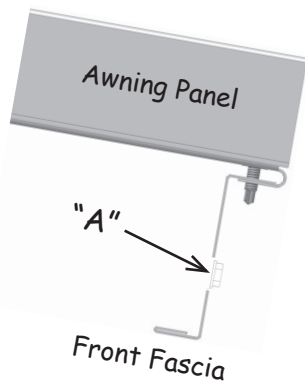


Starting 12 inches from front, install #8 x 1/2" screw through Panel Rib into Side Trim. Install additional screws, approximately 12 inches apart, entire length of Panel Rib.

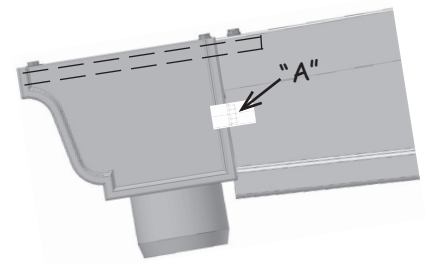
Mark and drill 1/4" holes in Side Trim as Shown. Bend Side Trim Braces as required. Install 1/4" Waxed Screws through Side Trim Braces. Mark and drill 1/4" holes in Awning Panel. Install 1/4" Waxed Screws.

Number of Side Trim Braces	
Awning Projection	Number of Braces
up to 9'	2
10' - 12'	3
13' - 14'	4





Pre-formed Tab anchors Side Trim to Gutter or Fascia. Screw "A" is a #8 x 1/2" and it extends through Tab and Gutter or Fascia



## Downspout Assembly

### Downspout Leader

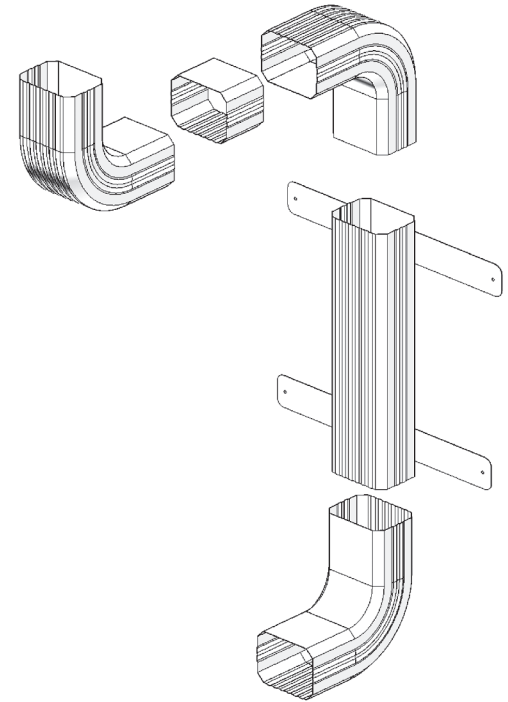
Supplied in 9-foot length only. Cut to desired length using metal saw with fine tooth blade (24T).

### Elbows

When Elbows and Downspout Leader are fitted and in position---install two #8 x 1/2" screws at each joint.

### Downspout Leader Straps

Straps are supplied flat and are easily hand formed around the Downspout and fastened to Column.



### Front Fascia When Omitting Gutter

Fascia is shipped in lengths of 10 feet 1/2" and 5 feet. Installer to cut as required

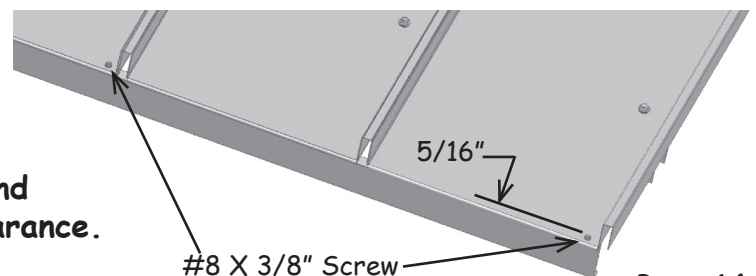
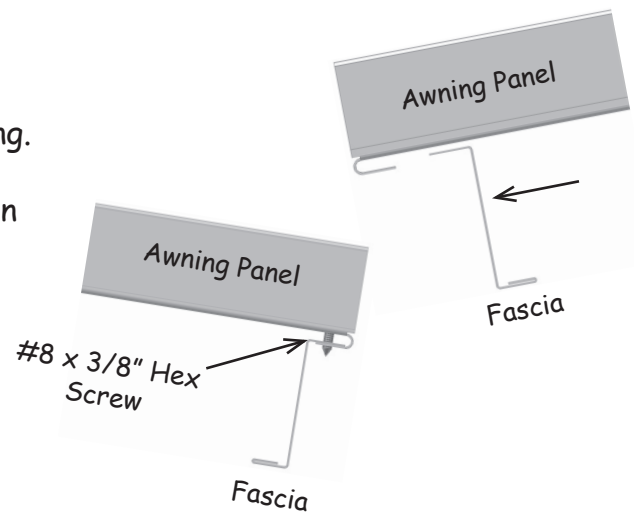
Insert flange at top of Front Fascia into the formed lip at front of Awning Panels. See Drawing.

The end of the Front Fascia should be centered in the opening of the rib at the edge of the awning.

Fasten Front Fascia with #8 x 3/8" screws. One screw is to be installed in every other Awning Panel. See Drawing.

To join Fascia sections, overlap the ends to be joined 1/2". Install a #8 x 3/8" screw through Awning Panel and into the overlap. Pop Rivet the bottom of the overlap.

**Helpful Hint: If you cut Fascia, put cut end underneath the overlap for a neater appearance.**

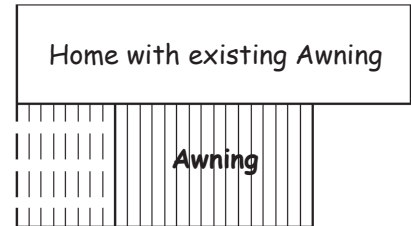


# Extensions to Existing Awnings

The instructions on the preceding pages are to be used with the following instructions to install extensions to existing awnings.

## Extension to Left of Existing Awning

1. Remove left Downspout and left Section of Gutter.
2. Remove, as a unit, left Side Trim and left Awning Panel.
3. It may be necessary to remove left End Column Anchor and change Column location.
4. Install all parts of left Extension as described in these Awning Assembly instructions.
5. Re-install Awning Panel with Side Trim, Gutter section and Downspout.

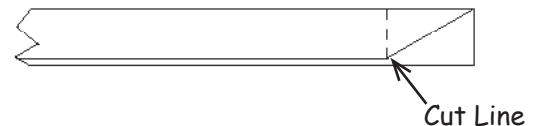
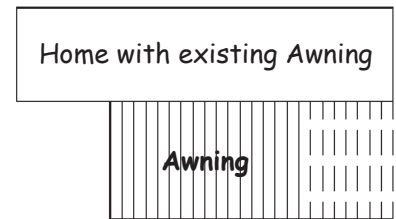


## Extension to Right of Existing Awning

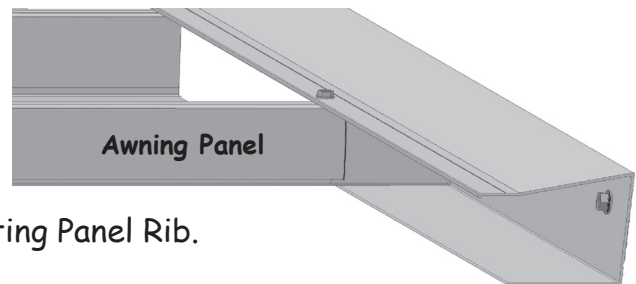
1. Remove right Downspout and right Section of Gutter.
2. Remove, as a unit, right Side Trim and right Awning Panel.

**Note:** To remove right Panel, it will be necessary to remove screws from the next few Awning Panels.

3. Install Mounting Rail for Extension.
4. Install Deluxe Front Header for Extension.
5. It may be necessary to remove right End Column Anchor and change Column Location.
6. Prepare existing Awning Panel to receive Panels of Extension.  
Cut (in place) outside leg of Awning Panel Rib, as shown, to provide clearance to insert first Extension Panel.



**Note:** All Panels included with Right Extension should be cut as shown.



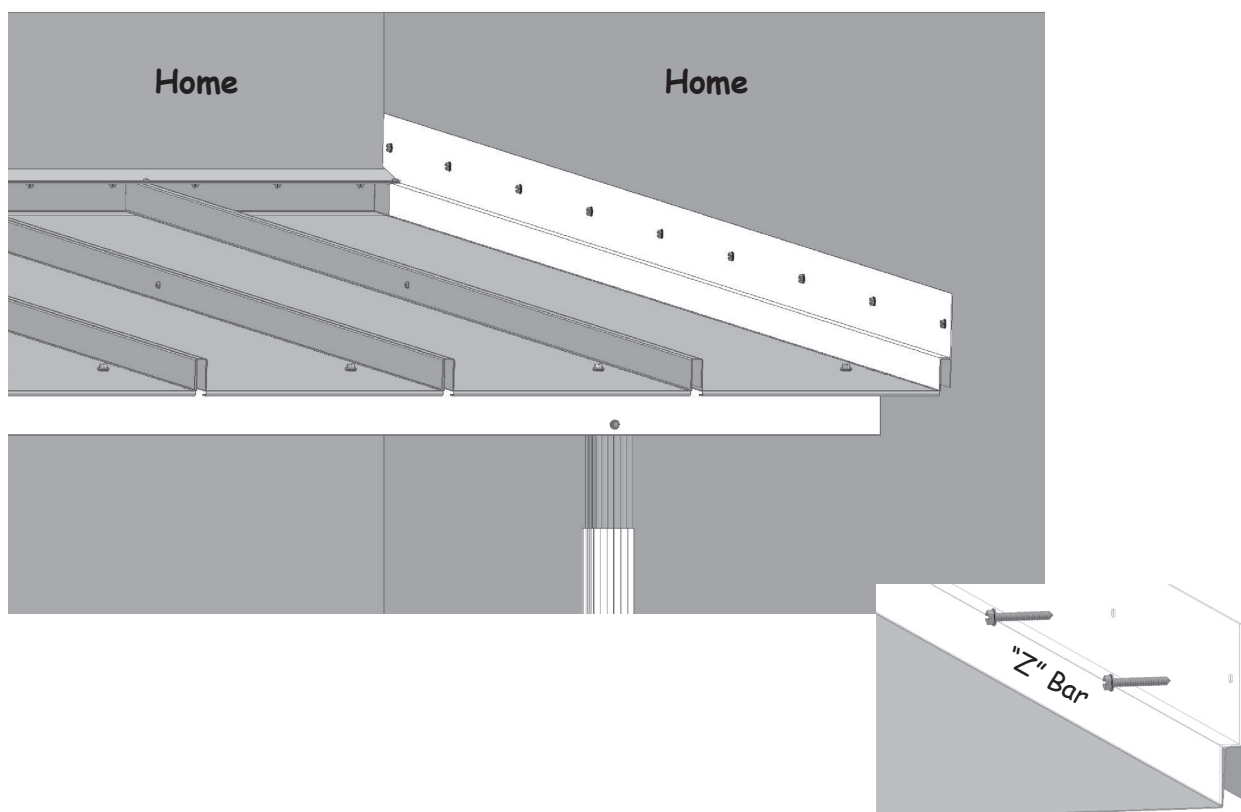
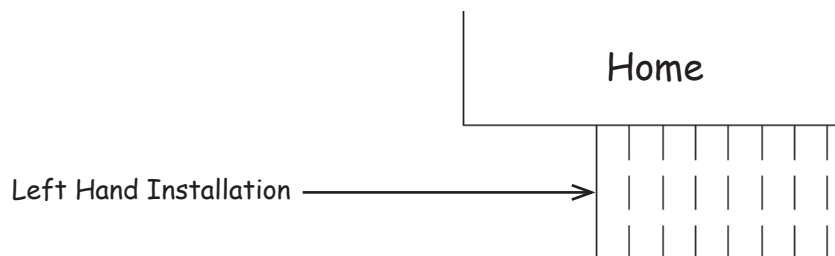
7. Apply caulk around the cut you made in the existing Panel Rib.
8. Place the first Panel of the Right Extension on the Deluxe Front Header. Raise existing Panel slightly and place small Rib of the new Panel under the wide Rib of the existing Panel. Slide new Panel toward Mounting Rail until Awning Panel Ribs are fully nested and Panel is completely seated into Mounting Rail. Make sure front of Panels are aligned.

10. Install #12 x 1" Neoprene Washer Self Drilling Screws, #8 x 1/2" Self Drilling Screws and Foam Weatherseals to Awning Panel(s) as described on Page 8.
11. Continue to apply caulk to cut-out(s) at Mounting Rail and install Panel(s) as described on page 14.
12. Re-install all screws you removed initially.
13. Install any Column Anchors required.
14. Re-install Panel and Side Trim.
15. Install Gutter section(s) and Downspout.

## Special Situations

When an Awning is installed in the regular manner on the home, and one side of the Awning also fastens to the home, a special procedure is required.

### Left Hand Installation



Follow instructions for Awning Assembly on pages 3 through 7.

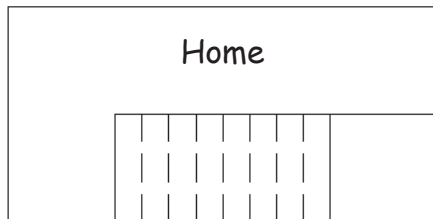
After fastening first Awning Panel, as described on page 6, install "Z" Bar.

Notch "Z" Bar as necessary to fit over Mounting Rail, into home corner.

Install the "Z" Bar over right Awning Panel Rib and attach to home as shown. Use #12 x 2" hex screws at 12" intervals.

Continue installing Awning per instructions, pages 6 through 13.

## Right Hand Installation



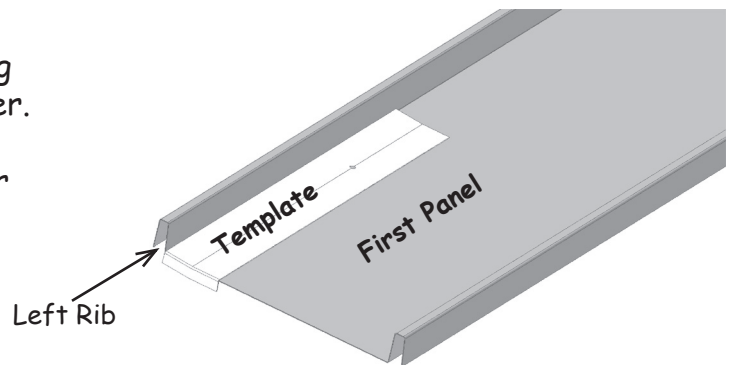
Installation will begin at the Home Corner. Left Mounting Rail will be fastened first. Follow instructions for installing Mounting Rail on page 3. Left Section of Deluxe Front Header will be "Starter" Section. Install Deluxe Front Header and Columns as described on pages 3 and 4.

Because it is necessary to position screws properly through Panels into the Deluxe Front Header we provide a template for you to mark the correct screw position for your awning.

Place back end of an Awning Panel into the left end of the Mounting Rail with the **outer edge** of the Panel Rib flush with end of Rail. The Front end of the Panel should be resting on the left edge of Deluxe Front Header with the **inside edge** of Panel Rib flush with end of the Deluxe Front Header.

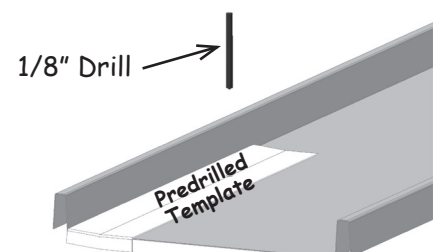
Place one Awning Panel in left end of Mounting Rail, resting outer end on Deluxe Front Header.

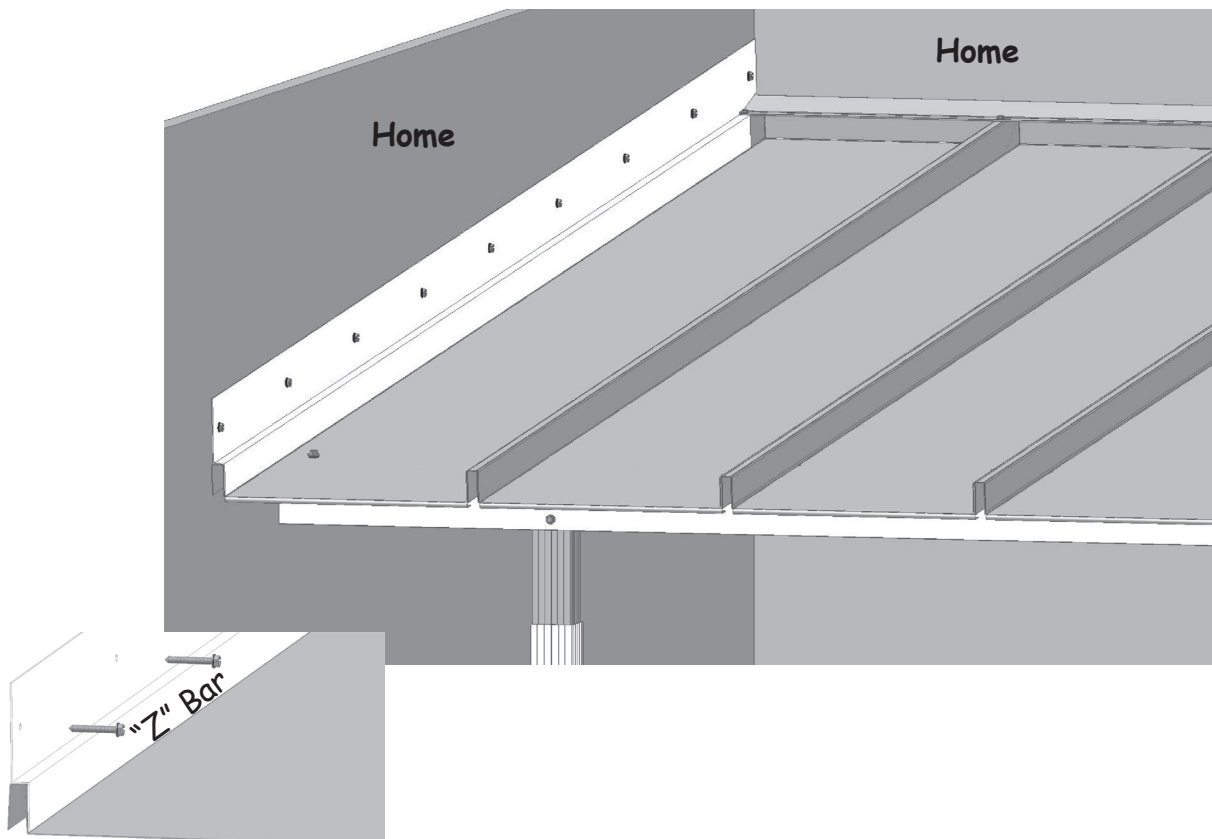
Left edge of Panel Rib must be against Corner of home and flush with Mounting Rail. Inside edge of Panel Rib must be flush with end of Deluxe Front Header.



Stand on ladder to look down length of Header. Place Template as shown and make a mark in the Groove of the Template directly above center of Header. This is the location for the pilot hole.

Remove Panel, place on ground and position Template flat on panel against the inside of the left Rib at front end of Panel. Drill 1/8" hole through the mark on Template. Use Template to drill 1/8" hole in the rest of the Panels.





Follow instructions for Awning Assembly on pages 5 through 10.  
After fastening first Awning Panel, as described on page 6, install "Z" Bar.  
Notch "Z" Bar as necessary to fit over Mounting Rail, into home corner.  
Install the "Z" Bar over left Awning Panel Rib and attach to home as shown.  
Use #12 x 2" hex screws at 12" intervals.  
Install Panels from left to right (left rib over right rib).  
Continue installing Awning per instructions, pages 6 through 13.



# DURA-BILT PRODUCTS, INC.

## Five Year Limited Warranty

Dura-Bilt Products, Inc. warrants its manufactured products to the original purchaser to be free from defects in materials or workmanship under the terms and conditions set forth herein. All other components and parts carry their own manufacturers warranties.

Within the warranty period, to be confirmed with copy dated bill of sale, Dura-Bilt Products, Inc. will, at its sole option, repair or replace any components which the owner has proven to have failed in normal use. Such repairs or replacement will be made, at no charge for parts, to the original purchaser. Provided, however, that the original purchaser shall be responsible for any transportation or freight costs. Replacement of materials does not extend original warranty period. This warranty does not include the cost of labor for installation of parts.

Continuing product developments require that Dura-Bilt Products, Inc. retain the right to substitute replacement parts or components of equal quality, if necessary. Normal aging and weathering of materials may result in not being able to perfectly match the original colors.

This limited warranty does not cover failures due to weather, acts of God, abuse, misuse, improper installation, accident, alteration or repair. Dura-Bilt Products, Inc. assumes no responsibility for special, incidental, punitive or consequential damages or loss of use.

**THIS LIMITED WARRANTY IS EXCLUSIVE AND IN LIEU OF ALL OTHER WARRANTIES AND REMEDIES EXPRESS OR IMPLIED, INCLUDING ANY LIABILITY ARISING UNDER THE WARRANTY OF MERCHANTABILITY OR FITNESS FOR A PARTICULAR PURPOSE, STATUTORY OR OTHERWISE. THIS WARRANTY GIVES YOU SPECIFICALLY THESE RIGHTS WHICH MAY VARY BY STATE.**

This warranty covers products manufactured by Dura-Bilt after 9/1/95.

To obtain warranty service, call the Dura-Bilt Products Customer Service Department at 1-570-596-2000 or write to P.O. Box 188, Wellsburg, NY 14894-0188. Retain this Warranty for your records.