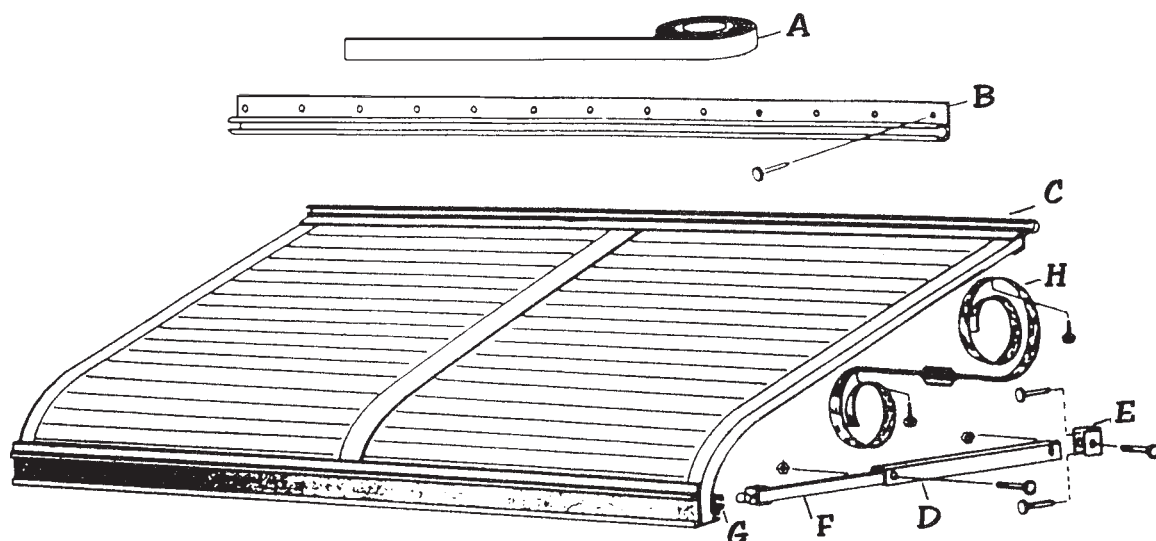




Window Awnings

Assembly and Installation Instructions



1. Place Weather Strip "A" on back of Mounting Rail "B" if not already installed. Remove protective paper.
2. Locate and install Mounting Rail over door or window with #12 x 1-1/2" screws in all pre-punched holes in Mounting Rail. Make sure to locate all Framing Members or Studs and install screws at those locations.
Note: Allow for clearance when window swings out.
3. Slide Awning Male Rail "C" into Mounting Rail "B" on home; or pivot awning up until Male Rail "C" engages in the Mounting Rail "B" on home. Then allow awning to swing down so that awning is hanging from the Mounting Rail on the home.
4. Attach lower Support Arm Brackets "E" to lower Support Arms "D" with 1/4"-20 x 1-1/2" bolt and 1/4"-20 nut. Slide Upper Support "F" into Lower Support Arm "D" and into Front Support Channel "G" on awning.
5. Raise awning to desired height allowing clearance when window swings out. Locate Lower Support Arm Bracket "E" slightly below the front edge of the awning and attach Bracket at edge of window casing with two (2) #12 x 1-1/2" screws.
6. Drill 1/4" diameter holes through top of lower support arm "D" and bottom of upper support arm "F" and install 1/4"-20 x 1-1/2" bolt and 1/4"-20 nut.
7. Repeat steps 5 and 6 for opposite support arm.
8. Attach Scrolls "H" to lower edge of Awning side rails with two (2) #8 x 1/2" Self drilling Screws.

Check the material received.
Match your shipment with the Bill of Materials.
If there is a shortage or wrong material,
call Dealer Service immediately.

Safety is important!
Wear Safety Glasses and Work Gloves.
Follow all safety practices while assembling
and installing this product.

Dura-Bilt Products, Inc. P.O. Box 188 Wellsburg, N.Y. 14894

Dealer Service 570-596-2000 E-Mail info@durabilt.com

DURA-BILT RESERVES THE RIGHT TO CHANGE DESIGN AND/OR SPECIFICATIONS WITHOUT NOTICE.

BB-W-08