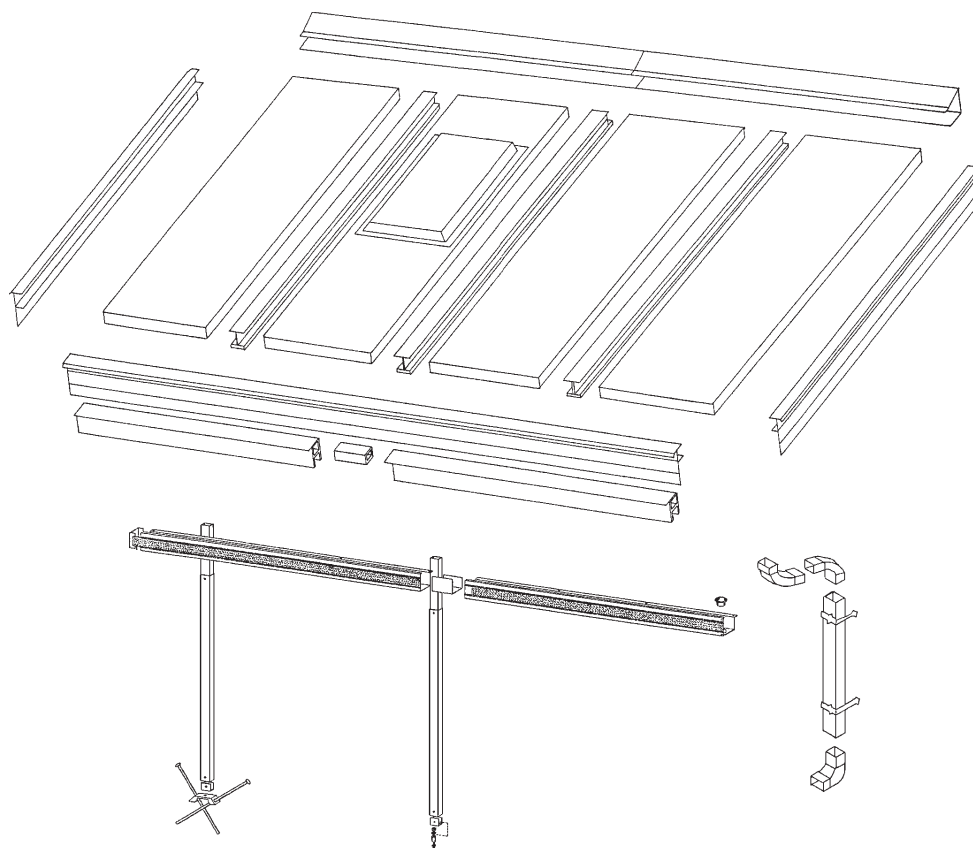




# Dura-Therm Roof System

## Assembly and Installation

### Instructions



Read the instructions before starting the job. They explain the steps required to produce a finished product that will meet factory specifications.  
All references to “Left” and “Right” are while facing the home.

Check the material received.  
Match your shipment with the Bill of Materials.  
If there is a shortage or wrong material,  
call Dealer Service immediately.




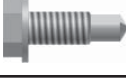




Safety is important!  
Wear Safety Glasses and Work Gloves.  
Follow all safety practices while assembling  
and installing this product.

---

Dura-Bilt Products, Inc. P.O. Box 188 Wellsburg, N.Y. 14894

*Dealer Service 570-596-2000 E-Mail [info@durabilt.com](mailto:info@durabilt.com)*

DURA-BILT RESERVES THE RIGHT TO CHANGE DESIGN AND/OR SPECIFICATIONS WITHOUT NOTICE.

<b>Fasteners</b>	
	#12 x 2" Hex Washer Head Screw
	#12 x 1" Self Drilling Screw
	#12 x 3/4" Self Drilling Screw
	#8 x 1/2" Self Drilling Screw
	1/4"-20 x 1/2" Bolt & 1/4"-20 Nuts
	Expansion Bolt (Concrete Anchor)
	#14-10 x 2-1/2" Galvanized Hex Washer Head Screw <b>Attaches Anchor Bracket to Wooden Deck.</b> <b><u>(Full Embedment Required!!!)</u></b>
	3/8" x 3/4" x 1-1/2" Hard Plastic Spacer

## **Tools Needed**

Drill  
Level  
Hammer  
Caulk Gun  
Utility Knife

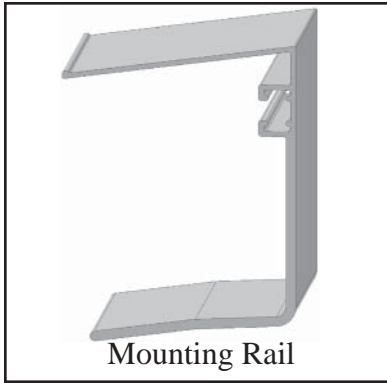
Tape Measure  
Chalk Line  
Screw Gun  
Clamps  
Hack Saw

Silicone Lubricant

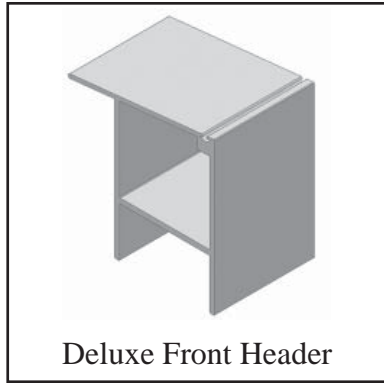
13/64" Drill Bit - 1/2" Masonry Drill Bit

1/4", 5/16", 3/8" and 7/16" Nut Driver Bits with Magnetic Heads

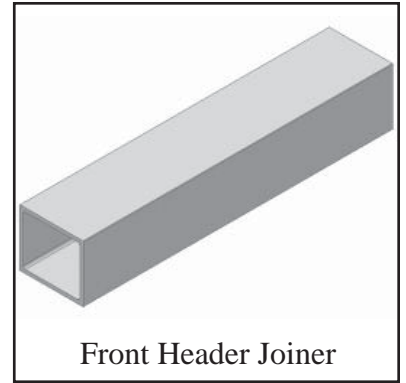
# Component Descriptions



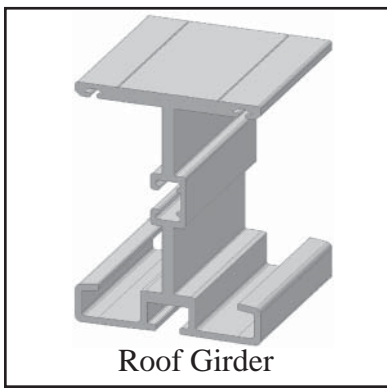
Mounting Rail



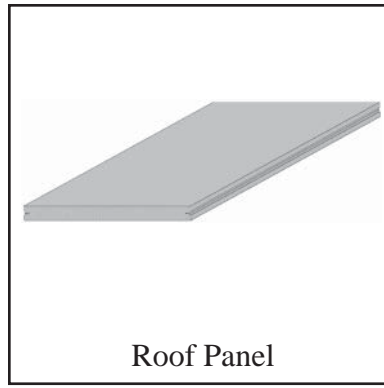
Deluxe Front Header



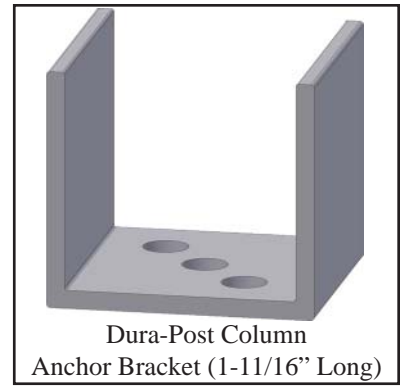
Front Header Joiner



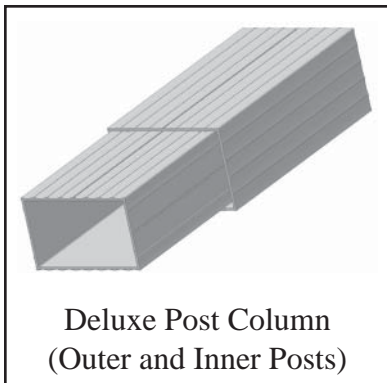
Roof Girder



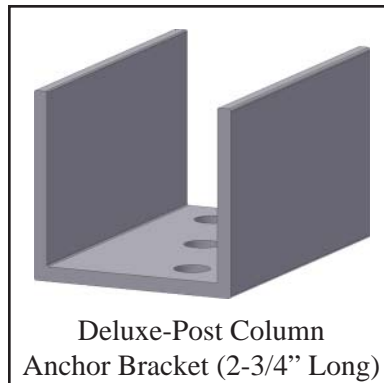
Roof Panel



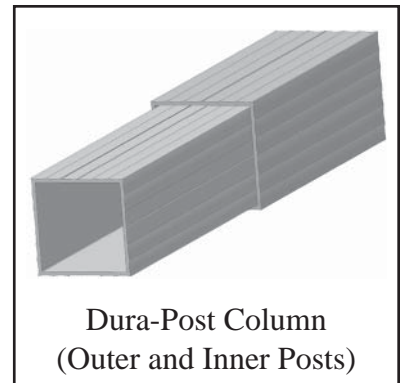
Dura-Post Column  
Anchor Bracket (1-11/16" Long)



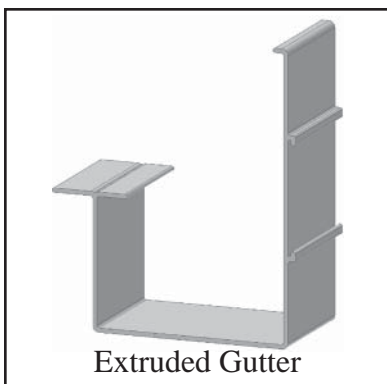
Deluxe Post Column  
(Outer and Inner Posts)



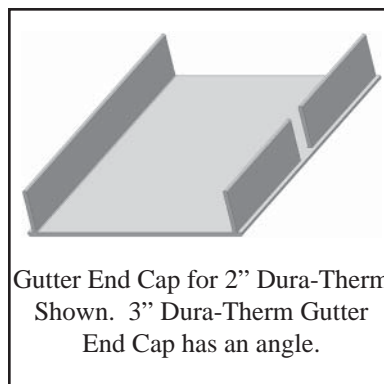
Deluxe-Post Column  
Anchor Bracket (2-3/4" Long)



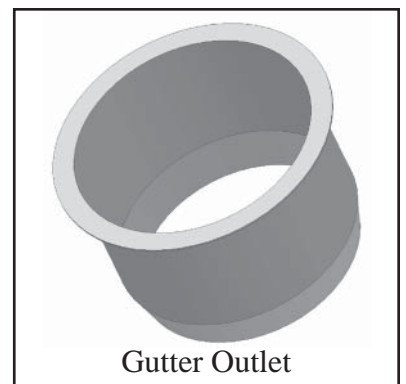
Dura-Post Column  
(Outer and Inner Posts)



Extruded Gutter

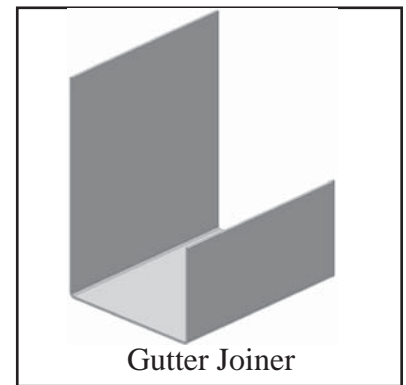
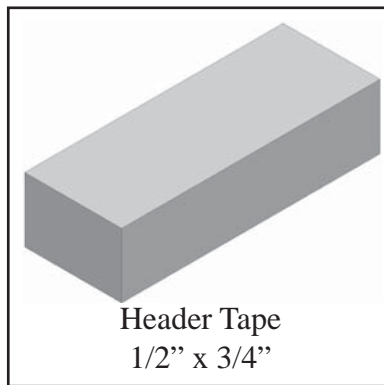
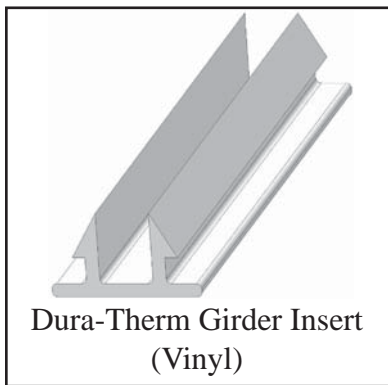
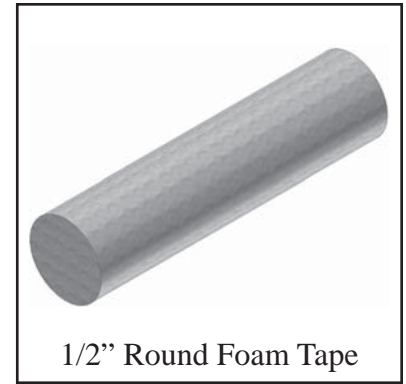
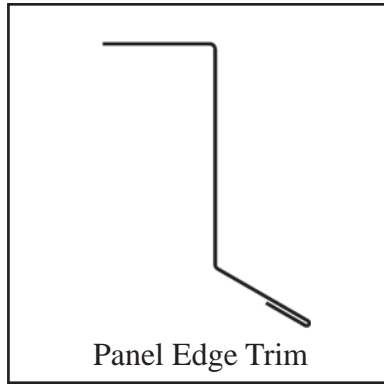
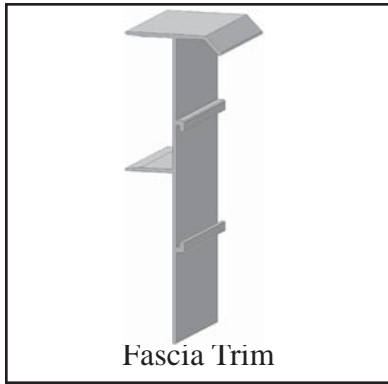


Gutter End Cap for 2" Dura-Therm  
Shown. 3" Dura-Therm Gutter  
End Cap has an angle.



Gutter Outlet

## Component Descriptions

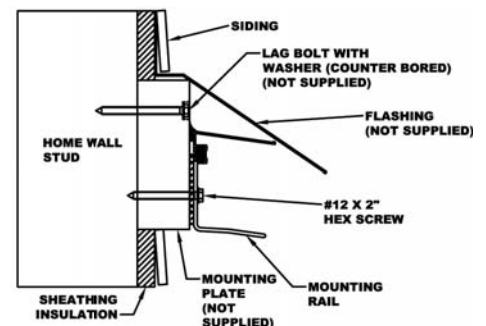
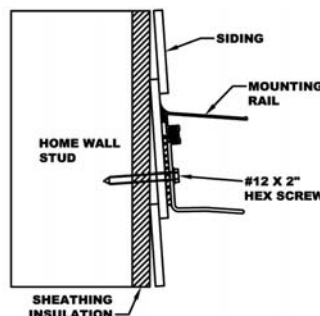
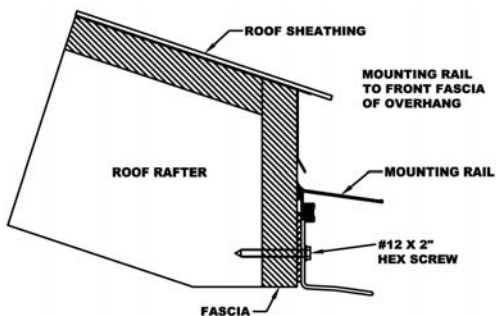


## Roof and Awning Installation Advisory

Dura-Bilt awnings and roofs are engineered and manufactured to distribute wind and snow loads across the total unit. The installer can avoid creating a **“Weak Link”** in this unit by properly installing the Mounting Rail. The secret is to be sure the Mounting Rail is fastened (directly or indirectly) into the frame members of the home; such as wall studs or roof rafters. Otherwise you are counting on less substantial materials to support the potential load; such as attaching to only the fascia board. This can result in bolts pulling out or material actually breaking up.

Remember that each installation will probably be unique because homes are not all alike. This requires locating the position of framing members in the home that you can use to attach the Mounting Rail.

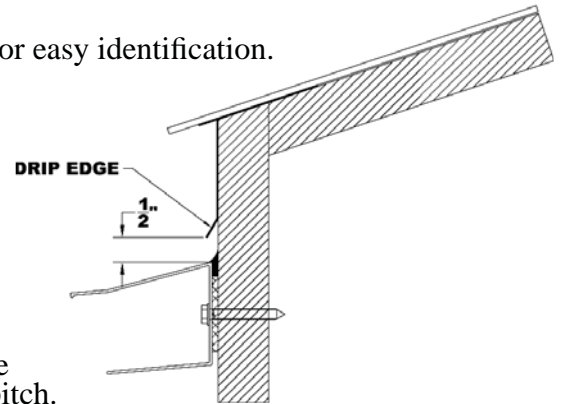
The drawings below illustrate suggested methods for you to use to install the Mounting Rail to achieve optimum load bearing characteristics for the awning or roof being installed.



# Installation Instructions

## Identify Mounting Rail and Front Header Sections

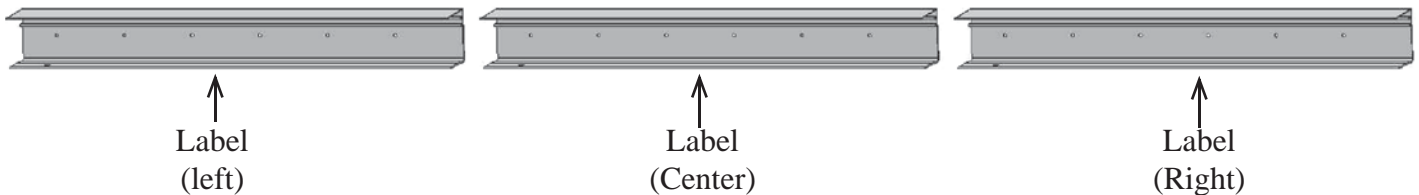
1. All sections for both the Mounting Rail and Header are labeled for easy identification.
2. Arrange the Mounting Rail and Header Sections in order on the ground before starting assembly to assure proper installation.
3. Mark the Rail position on the home to provide a minimum of 1/2" clearance between top of Mounting Rail and bottom of Roof Drip Edge on a fascia application. This can help avoid a leak developing.
4. In marking the position of the Mounting Rail, take into account its built in roof pitch of 1" per foot. The Front Header has the same built-in pitch angle which means girders fit best at the 1" per foot pitch.



**Note:** Roof lengths determine number of Rail and Header sections.

## Mounting Rail

### Fasten Mounting Rail to Home



**Note: 2" Dura-Therm has one (1) row of holes with 4" on center spacing and 3" Dura-Therm has two (2) staggered rows of holes with 8" on center spacing.**

1. Attach either End Section of Rail to home with #12 x 2" hex screws in **all** pre-punched holes in the Mounting Rail. Remove Protective Paper from the adhesive backing material before putting Rail into position.
2. Screws must go into the studs or top plate of the home.
3. Repeat procedure with next section of rail. Be sure that it is butted tightly to first section.
4. Continue until all Sections are installed.
5. Apply a bead of caulk along entire top edge of Mounting Rail. Use generous amount of caulk at the joints. **Caulk must be applied to top of Mounting Rail to seal against leakage.**

**If Mounting Rail is to be attached to any material other than wood, be sure to attach it to meet local building codes.**

**Note: Be sure wall of home is thick enough to accommodate this screw without coming through inside wall.**

# Mounting Rail Height

**In the event you are planning a Room Enclosure Installation:**

**Use this chart to determine Mounting Rail Height for the Deluxe 3-Season Room Enclosure, Standard 3-Season Room Enclosure, Deluxe Screen Room or Full Screen Room**

<b>Front Wall Height</b>											
<b>Height to bottom of Mounting Rail</b>											
Room Width	76-1/2"		82"		90"		96"		102"		
	Min.	Max.	Min.	Max.	Min.	Max.	Min.	Max.	Min.	Max.	
8'	86-1/2"	88-1/2"	92"	94"	100"	102"	106"	108"	112"	114"	
9'	87-1/2"	89-7/8"	93"	95-3/8"	101"	103-3/8"	107"	109-3/8"	113"	115-3/8"	
10'	88-1/2"	91-1/8"	94"	96-5/8"	102"	104-5/8"	108"	110-5/8"	114"	116-5/8"	
11'	89-1/2"	92-3/8"	95"	97-7/8"	103"	105-7/8"	109"	111-7/8"	115"	117-7/8"	
12'	90-1/2"	93-5/8"	96"	99-1/8"	104"	107-1/8"	110"	113-1/8"	116"	119-1/8"	
13'	91-1/2"	94-7/8"	97"	100-3/8"	105"	108-3/8"	111"	114-3/8"	117"	120-3/8"	
14'	92-1/2"	96-1/8"	98"	101-5/8"	106"	109-5/8"	112"	115-5/8"	118"	121-5/8"	
15'	93-1/2"	97-3/8"	99"	102-7/8"	107"	110-7/8"	113"	116-7/8"	119"	122-7/8"	
16'	94-1/2"	98-1/2"	100"	104"	108"	112"	114"	118"	120"	124"	

Note: Actual Front Wall Height at the Deluxe Front Header will be 2" higher when measured from Deck or Patio to underside of Roof as listed in the Wall Height Chart. (Example: 76-1/2" + 2" = 78-1/2")

**The minimum and maximum Mounting Rail heights given in the chart above are calculated to bracket the six degree pitch built into the Mounting Rail and Front Header. In theory, there should be no gaps between the roof girder and the Front Header and/or the Mounting Rail. However, there may be installations where gaps may still occur due to local installation conditions.**

## Mounting Rail Height

**In the event you are planning an All Season Room Enclosure Installation:  
Use this chart to determine Mounting Rail Height for the All Season Room Enclosure**

Front Wall Height										
Height to bottom of Mounting Rail										
Room Width	76-3/4"		82-3/16"		90"		96"		102"	
	Min.	Max.	Min.	Max.	Min.	Max.	Min.	Max.	Min.	Max.
8'	85-1/2"	87-5/8"	91"	93-1/8"	98-3/4"	100-7/8"	104-3/4"	106-7/8"	110-3/4"	112-7/8"
9'	86-1/2"	88-7/8"	92"	94-3/8"	99-3/4"	102-1/8"	105-3/4"	108-1/8"	111-3/4"	114-1/8"
10'	87-1/2"	90-1/8"	93"	95-5/8"	100-3/4"	103-3/8"	106-3/4"	109-3/8"	112-3/4"	115-3/8"
11'	88-1/2"	91-3/8"	94"	96-7/8"	101-3/4"	104-5/8"	107-3/4"	110-5/8"	113-3/4"	116-5/8"
12'	89-1/2"	92-3/4"	95"	98-1/8"	102-3/4"	106"	108-3/4"	112"	114-3/4"	118"
13'	90-1/2"	94"	96"	99-3/8"	103-3/4"	107-1/4"	109-3/4"	113-1/4"	115-3/4"	119-1/4"
14'	91-1/2"	95-1/4"	97"	100-5/8"	104-3/4"	108-1/2"	110-3/4"	114-1/2"	116-3/4"	120-1/2"
15'	92-1/2"	96-1/2"	98"	101-7/8"	105-3/4"	109-3/4"	111-3/4"	115-3/4"	117-3/4"	121-3/4"
16'	93-1/2"	97-3/4"	99"	103-1/8"	106-3/4"	111"	112-3/4"	117"	118-3/4"	123"

Note: Actual Front Wall Height at the Front Beam will be 3/4" higher when measured from Deck or Patio to underside of Roof as listed in the Wall Height Chart. (Example: 76-3/4" + 3/4" = 77-1/2")

**The minimum and maximum Mounting Rail heights given in the chart above are calculated to bracket the six degree pitch built into the Mounting Rail and Front Beam. In theory, there should be no gaps between the roof girder and the Front Beam and/or the Mounting Rail. However, there may be installations where gaps may still occur due to local installation conditions.**

## Deluxe Front Header



1. While facing the home, place the Header on the ground in the order of assembly according to the labels on the Header sections.

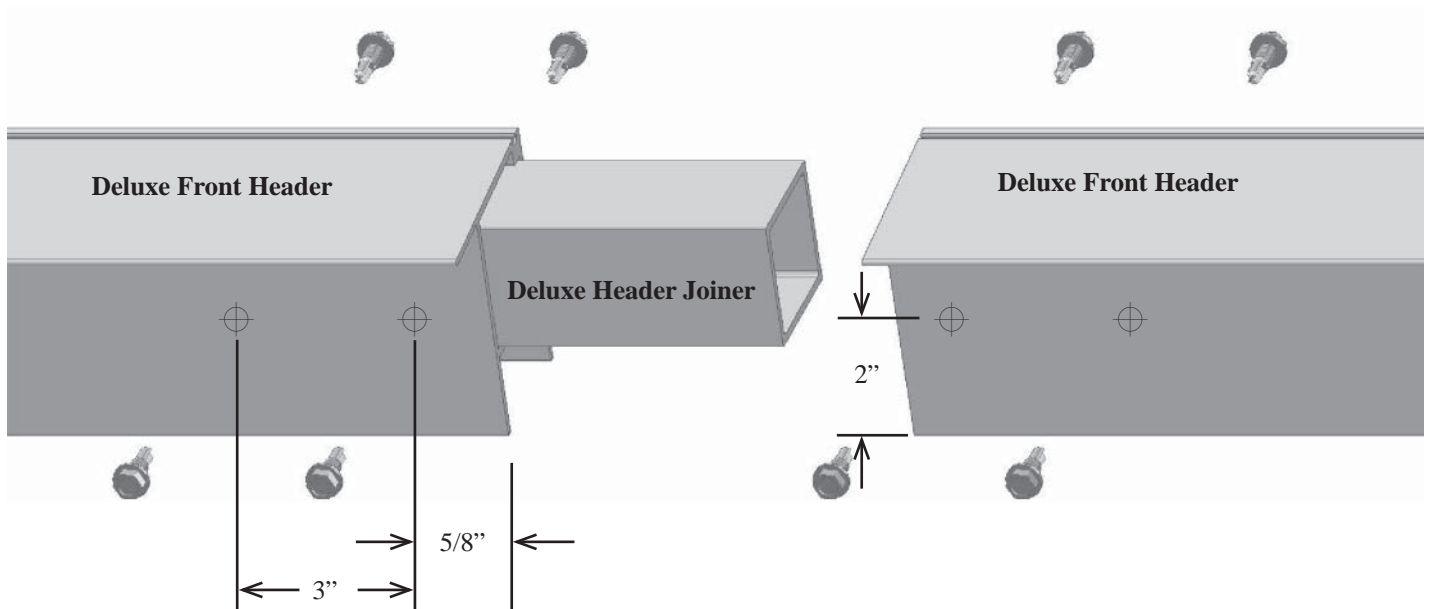
**Note:** If you are installing an 8, 9, 10, 12 or 15 foot length Roof you will not use Joiners.  
Go to step 6 at the bottom of the page.

2. Insert the Front Header Joiner 4 - 1/4" into the Front Header.

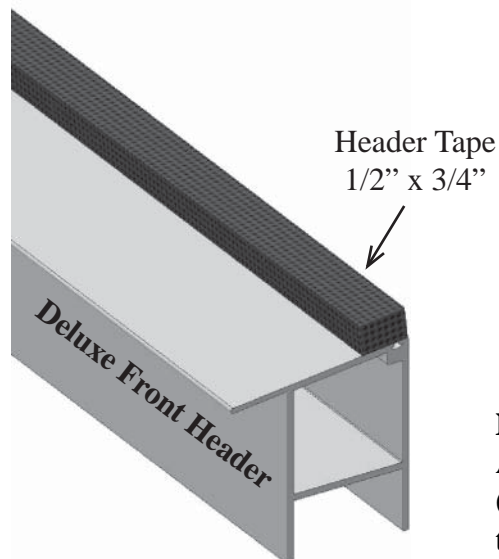
3. Secure in place with four (4) 12 x 3/4" screws.

4. Insert opposite end of Front Header Joiner into next section of Front Header and secure as in Step #3

5. Continue this same process with remaining Front Header Sections.



6. Apply Header Tape to Front Header. Pull protective paper from Tape and press along upper back edge of Header.

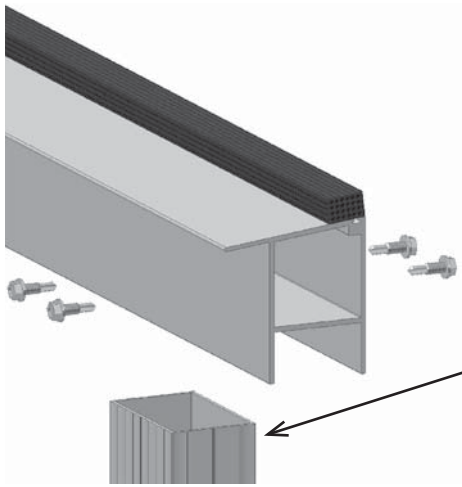
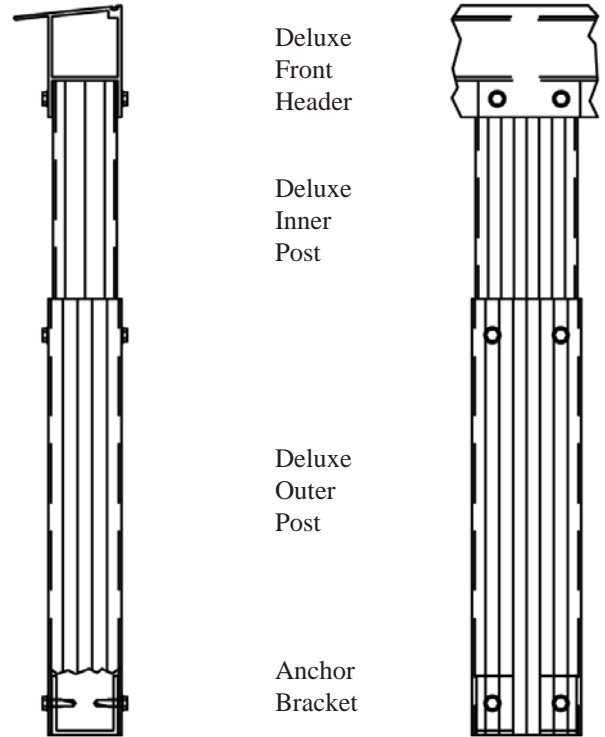


**Note:** If you are installing an All-Season Sun Room, apply two (2) rows of Header Tape to the top of Front Beam.

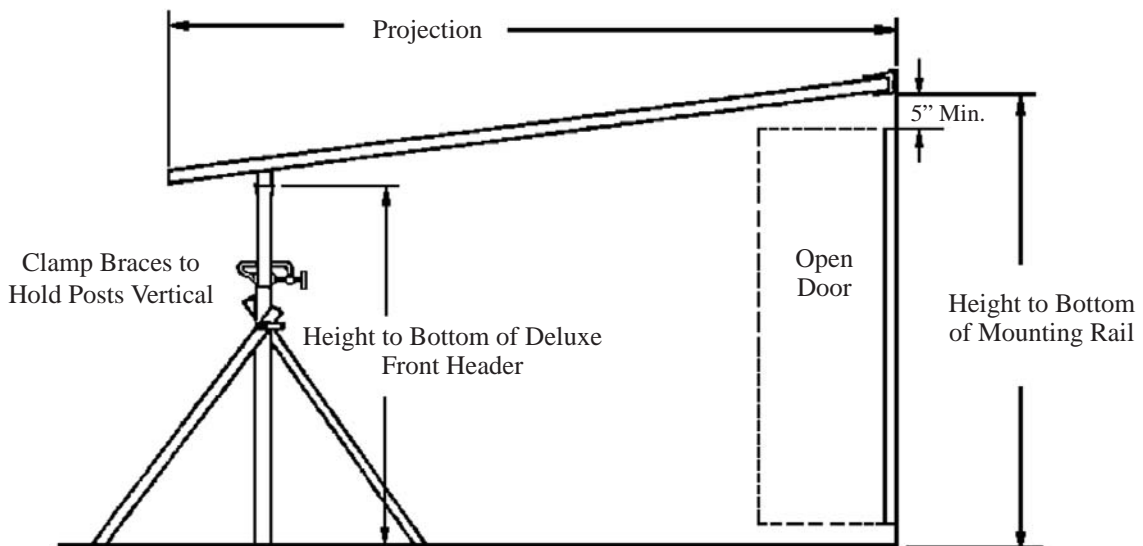


# Deluxe Post Columns or Dura-Post Columns

1. Determine Post spacing using the chart on the next page.  
Then mark the location of each Post on back leg of the Deluxe Front Header.
2. Position the Deluxe Inner Post (located inside the Deluxe Outer Post) to the bottom of the Deluxe Front Header.
3. Secure with four (4) #12 x 3/4" Self Drilling Screws.  
Two in each front corner and two (2) in each back corner.



Deluxe Post and Dura-Post Columns uses four (4) Screws as shown.



## Column Spacing Chart

Columns at the corners are to be set in 12" on-center from each corner

Roof Length in Feet	Number of Columns	Spacing on Center
4	2	2'
5	2	3'
6	2	4'
7	2	5'
8	2	6'
9	3	3'-6"
10	3	4'
11	3	4'-6"
12	3	5'
13	3	5'-6"
14	3	6'
15	4	4'-4"
16	4	4'-8"
17	4	5'
18	4	5'-4"
19	4	5'-8"
20	4	6'
21	5	4'-9"
22	5	5'
23	5	5'-3"
24	5	5'-6"
25	5	5'-9"
26	5	6'

Roof Length in Feet	Number of Columns	Spacing on Center
27	6	5'
28	6	5' 2-3/8"
29	6	5' 4-3/4"
30	6	5' 7-1/4"
31	6	5' 9-5/8"
32	6	6'
33	7	5'-2"
34	7	5'-4"
35	7	5'-6"
36	7	5'-8"
37	7	5'-10"
38	7	6'
39	8	5' 3-3/8"
40	8	5' 5-1/8"
41	8	5' 6-7/8"
42	8	5' 8-1/2"
43	8	5' 10-1/4"
44	8	6'
45	9	5' 4-1/2"
46	9	5'-6"
47	9	5' 7-1/2"
48	9	5'-9"
49	9	5' 10-1/2"
50	9	6'

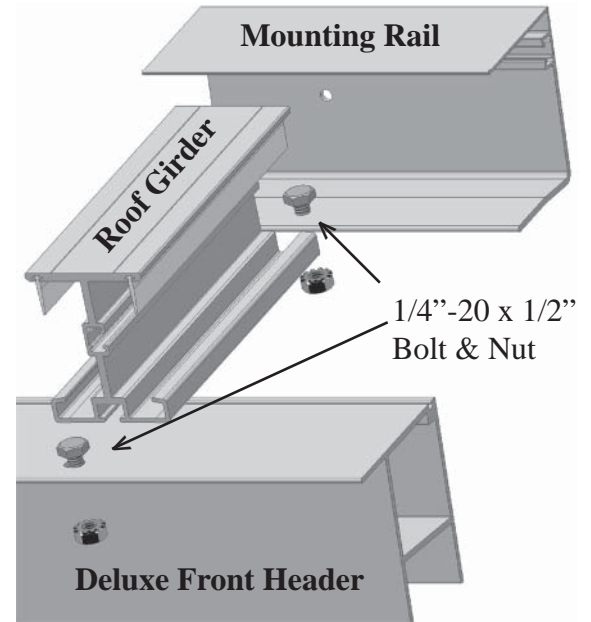
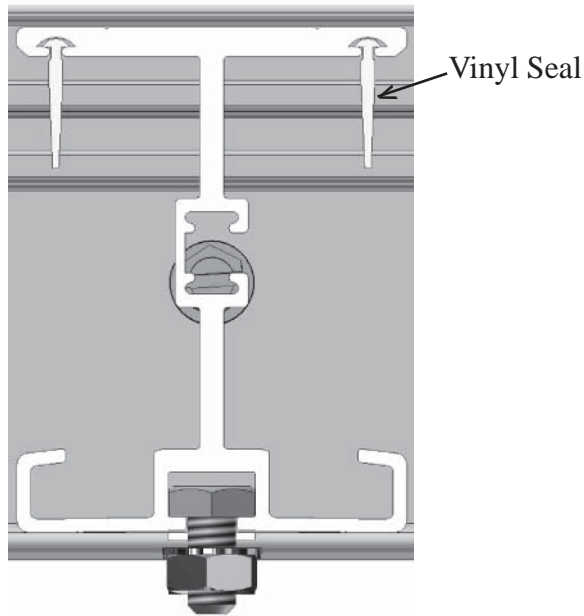
Roof Length in Feet	Number of Columns	Spacing on Center
51	10	5' 5-3/8"
52	10	5' 6-5/8"
53	10	5'-8"
54	10	5' 9-3/8"
55	10	5' 10-5/8"
56	10	6'
57	11	5'-6"
58	11	5' 7-1/4"
59	11	5' 8-3/8"
60	11	5' 9-5/8"
61	11	5' 10-3/4"
62	11	6'
63	12	5' 6-1/2"
64	12	5' 7-5/8"
65	12	5' 8-3/4"
66	12	5' 9-3/4"
67	12	5' 10-7/8"
68	12	6'
69	13	5'-7"
70	13	5'-8"
71	13	5'-9"
72	13	5'-10"
73	13	5'-11"
74	13	6'

Columns should not be located within 12" of a Front Header Joiner.

# Roof Girders

Dura-Therm Roof Girders have Vinyl Seals inserted at the factory. The seals may extend beyond the ends of the Girders. Using a utility knife, trim the excess length so that seal is flush with ends of the Girders. You may wish to spray the seals with a Silicone lubricant for easier Roof Panel installation.

End view of girder to show how the 1/4"-20 x 1/2" Bolt fits into the girder.



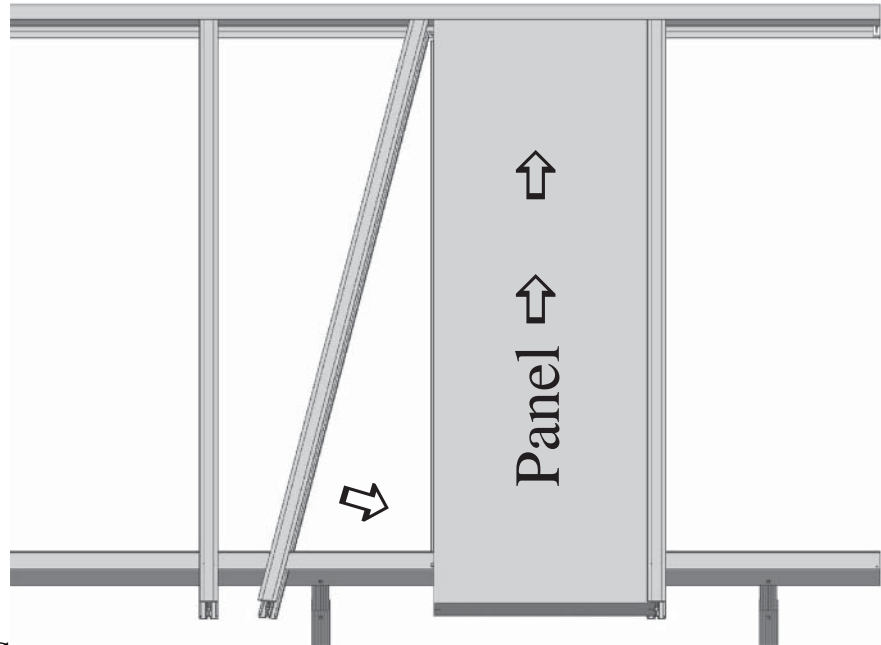
Insert bolts in every hole in Mounting Rail. Lay first Girder on the Front Header and pull it back into the Mounting Rail. Do not position a Girder at the ends of the roof, they will be finished with Side Fascias after all Girders are installed. Hold bolt in Mounting Rail up enough to guide bolt head into "T" slot of the Girder. Push Girder fully into Mounting Rail. Hand tighten nut.

Repeat this procedure until all Girders are in position.

Select a Girder near the center of the Dura-Therm Roof. After checking home to post distance at this location, square Girder with Mounting Rail and Front Header. Insert bolt in "T" slot and fasten Girder to Front Header, hand tightening nut on bolt.

# Roof Panels

Starting at the right side of the roof, insert 1/4" bolt into "T" slot of the first Girder on the far right of the roof. Raise Girder slightly to permit 1/4" bolt to enter hole in Front Header. Tighten nuts for this Girder at Mounting Rail and Front Header.

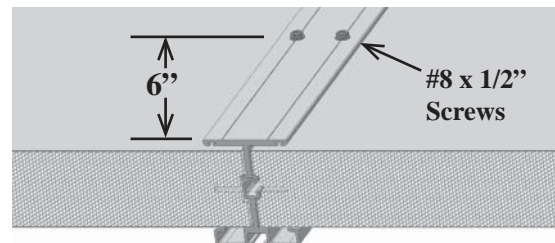


Move the free end of the second Girder to your left. This will form a "V" shaped opening. See illustration. Insert Roof Panel into edges of the first and second Girder as close to Mounting Rail as possible. As Roof Panel is pushed into Mounting Rail, pull the free end of the Girder against and on the Roof Panel. Guide Girder on Panel, being careful not to damage the skin of the Panel.

When Roof Panel is positioned properly the Left Girder may be fully seated on Panel, using a block of wood and a heavy hammer. Place the wooden block against the open side of the Girder and tap full length of Girder, moving wooden block as you go.

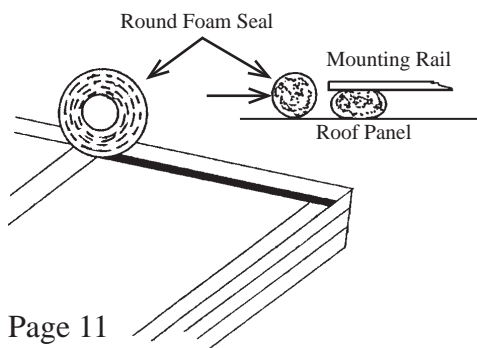
**Caution:** Do not strike or pound unprotected edges of Roof Panel or Girder.

With Girder and Panel properly seated, insert 1/4" bolt into "T" slot of Girder. Raise Girder slightly to permit 1/4" bolt to enter hole in Front Header. Tighten nuts at Rail and Front Header. Install two (2) #8 x 1/2" screws 6" up from the end of the Girder. Continue to install Roof Panels as described above. The end panels are now installed by inserting into the Girder and Mounting Rail and resting on the Front Header. The Side Fascias will be installed later.



## Apply Round Foam Seal

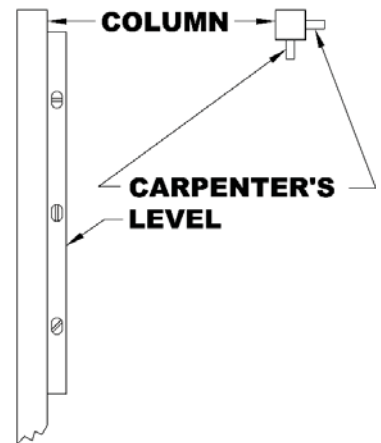
Apply a small amount of caulk to end of seal. Tuck under top flange of Mounting Rail above Side Fascia. Align with the small opening (approximately 5/32") between top of Roof Panel and Mounting Rail and tuck it in. See sketch. Tuck in above Girder, as shown. **Do Not Stretch Seal.**



## Column Anchoring

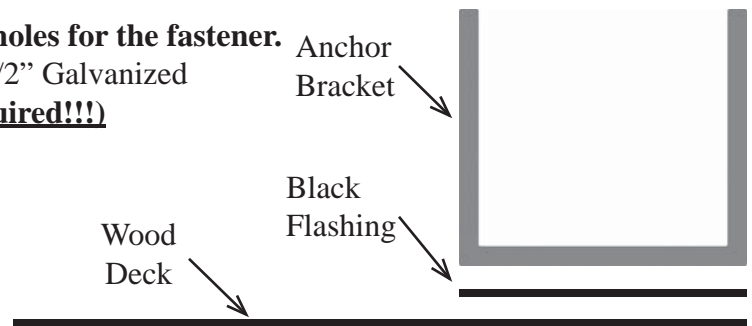
1. Make sure Columns are plumb in both directions
2. Mark location for Anchor Brackets.

**Note: If you are installing Columns on a Pressure Treated Lumber Deck. With your order you will receive a 4" x 4-1/2" piece of Black Flashing with paper coated adhesive on one side for each Dura-Post and Deluxe Post. Peel the paper off from the Flashing and stick the flashing to the bottom of the Anchor Bracket. Then trim the excess Flashing from around the Anchor Bracket.**



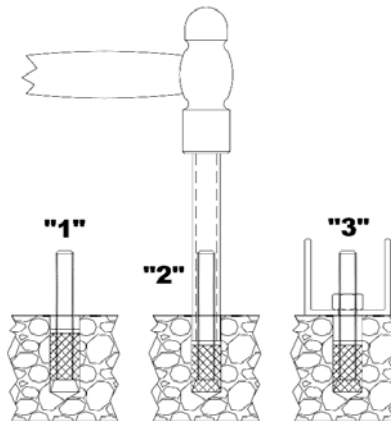
3. Move Columns aside from marked locations and install Anchors.

**Note: You must use a 1/8" drill and pre-drill the holes for the fastener. Attach Bracket to wood** with two (2) #14-10 x 2-1/2" Galvanized Hex Washer Head Screws. **(Full Embedment Required!!!)**



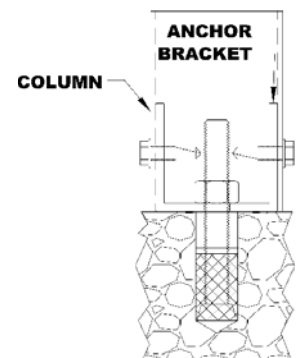
## Concrete Anchor Installation

1. Drill hole 1-1/2" deep with a 1/2" masonry drill bit. Insert Anchor Bolt, Expanding Ferrule, Lead Anchor and Washer.
2. Use hammer and 1/4" pipe to seat Anchor.
3. Place Anchor Bracket over Bolt and secure with 1/4" nut.



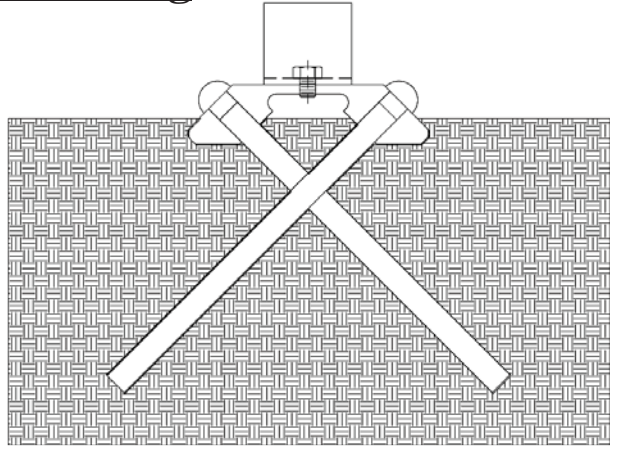
## Installing Column Anchor Bracket

1. Slide Deluxe Post Column over Anchor Bracket.
2. Secure Column to Anchor Bracket with four (4) #12 x 3/4" Self-Drilling Screws.



## Soil or Blacktop Anchoring

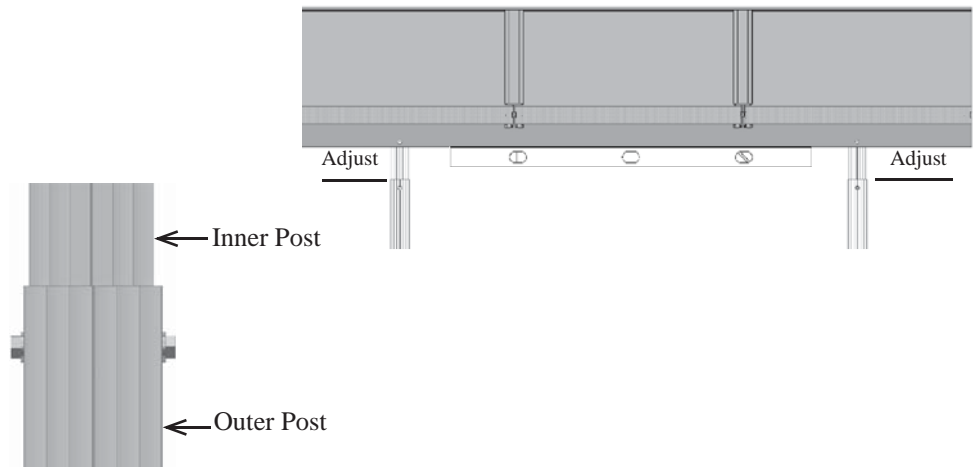
1. Secure Anchor Bracket to Anchor with 5/16" bolt provided.
2. Install Column to Anchor Bracket as described above.
3. Tap Soil Anchor lightly to set in place.
4. Drive Soil Anchor Pins alternately until flush with top of fitting.



Note: The Soil Anchor Pins are 1/2" dia. x 24" long Oval Head Round Steel Pins made from C-1018 Material entering the soil @ 45°.

## Leveling

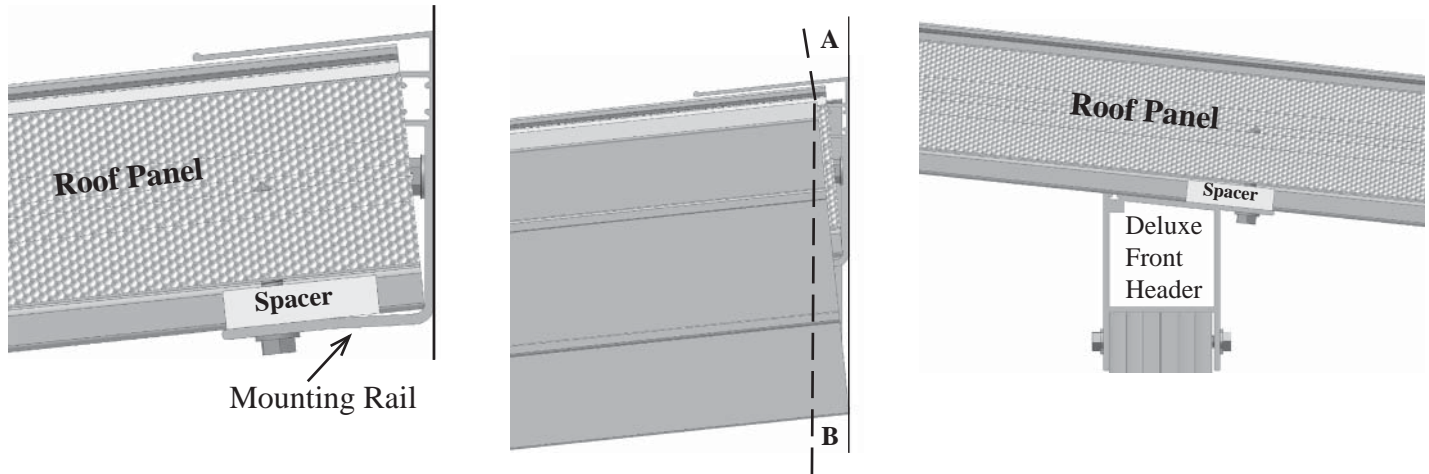
1. Place carpenter's level on underside of Front Header.
2. Adjust Post inserts to level the Front Header.
3. For Deluxe Posts and Dura-Post, Secure with four (4) #12 x 3/4" screws.





## Install Side Fascias

1. To eliminate the gap caused by the pitch of the roof, it is necessary to cut the “home end” of each fascia. To make the cut, place the Side Fascia in position shown and measure gap at top of fascia (A). Remove fascia and mark distance at bottom corner of fascia (B). Draw line from that mark to top corner of fascia. Cut at line.



2. Position the hard plastic spacer (3/4" x 1-1/2" x 3/8" thick) in the bottom of the Mounting Rail under the leg of the Fascia. See Drawings. Before installing the Side Fascias, apply small bead of caulk on top of panel about 1/2" in from edge. Push fascia onto Roof Panel. Fasten with a #12 x 1" screw. This screw will tie together the Mounting Rail, Spacer, Fascia Leg and Roof Panel.

3. Position spacer at Front Header. See Drawing. Fasten with #12 x 1" screw which will tie together the front lip of the Header, Spacer, Fascia Leg and Roof Panel. Secure Fascia to Roof Panels with #8 x 1/2" screws, 18" apart, installed through top and bottom lips of Fascia. Repeat procedure for other side of Roof.

## Extruded Gutter Panel Edge Trim

Panel Edge Trim is Pre-notched to fit around Side Fascias and Girders. **Caution:** Handle Panel Edge Trim with care to prevent kinking at notches.

If necessary, cut the first section of Panel Edge Trim to accommodate Side Fascia. (Side Fascia notch should be 3/4")

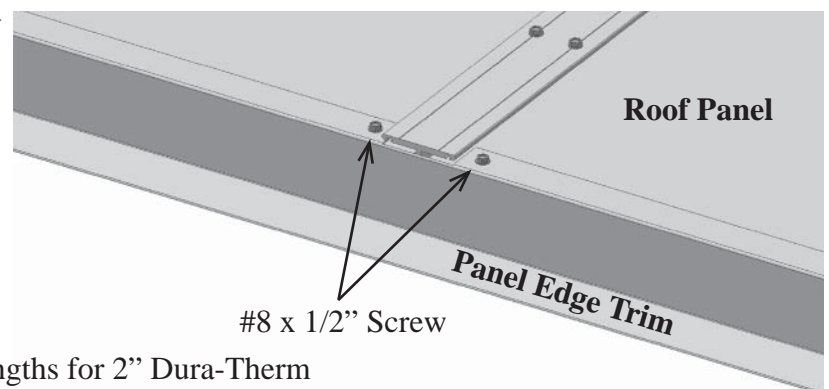
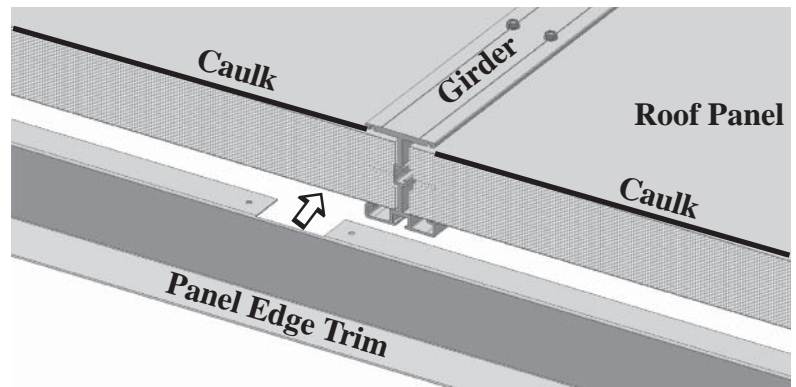
Place a thin bead of caulk along front edge of Roof Panels.

Position Panel Edge Trim and push back completely on the Panels, working it carefully around Side Fascias and Girders.

Butt sections tightly together. For proper fit, it may be necessary to trim each section.

Secure Panel Edge Trim to Roof Panels with #8 x 1/2" Screws in punched holes.

Panel Edge Trim is supplied in 120-15/16" lengths for 2" Dura-Therm and 109-3/16" lengths for 3" Dura-Therm. Cut last section to fit Roof length.



# Gutter Installation Instructions

## **Identify Gutter Sections**

1. Each Gutter Section is labeled as to **Left, Right** and **Center**. Length of Roof determines number of Sections.

Lengths of 8', 9', 10', 12', or 15' - one section only. No joiner required.

2. Arrange all sections of gutter in proper order on ground before starting.

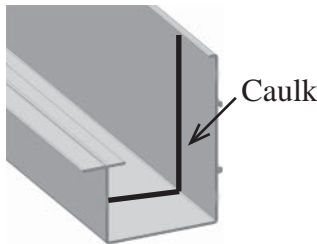
## Cutting Downspout Outlet Holes

1. Decide where downspouts will be located. This will determine where the outlets will be installed in the gutter. Mark the outlet locations.

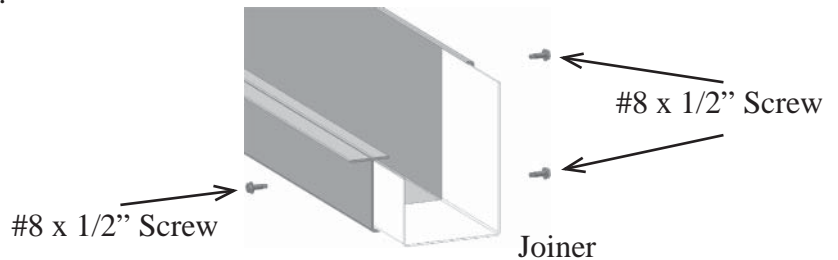
2. To install outlet, cut a 2-3/8" round hole centered in bottom of gutter. Then simply push outlet down through gutter until it snaps into position. No Caulk, screws or rivets are required to install outlet in the gutter.

## Extruded Gutter - Continued Joining Gutter

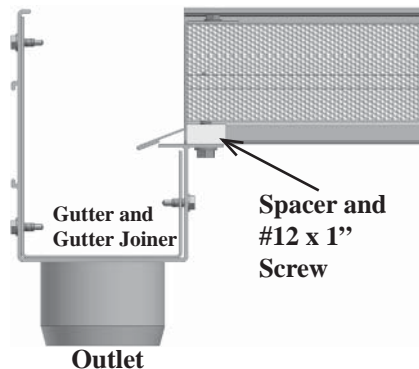
1. Insert Trim Strips into each gutter section. When gutter is installed the Trim must be adjusted to the right or left so that ends do not align with gutter joints.



Place a bead of caulking inside left end of all gutter sections requiring joiners.



Place gutter joiners into gutter sections. Spreading the caulking along as the joiner is seated halfway into gutter. Secure each joiner with (3) #8 x 1/2 inch screws where shown.

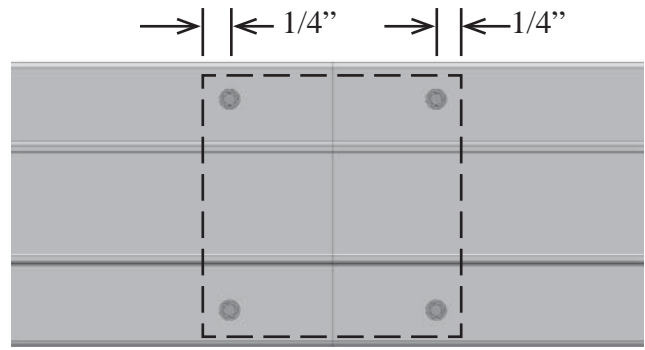
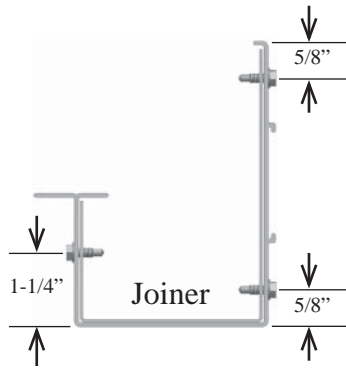


Attach Right Gutter Section to Right Side Fascia and Girder, including a Hard Plastic Spacer, with a #12 x 1 inch Self Drilling Screw. **See Drawing.**

A Hard Plastic Spacer is used at each end of the Roof to compensate for difference in Fascia and Girder Size.



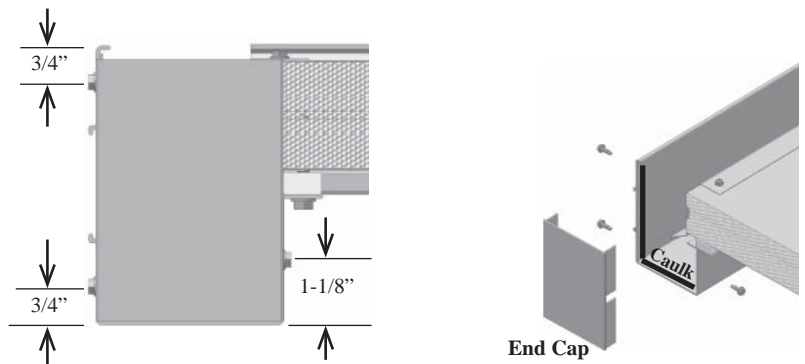
Caulk right end of next gutter section to accommodate gutter Joiner. Raise section and slide tightly against Right Gutter Section to nest gutter joiner into gutter.



When gutter is aligned and bolted to each girder with 1/4"-20 x 1/2" hex head bolt and nut, fasten joiner(s) into place with #8 x 1/2" screws as shown.

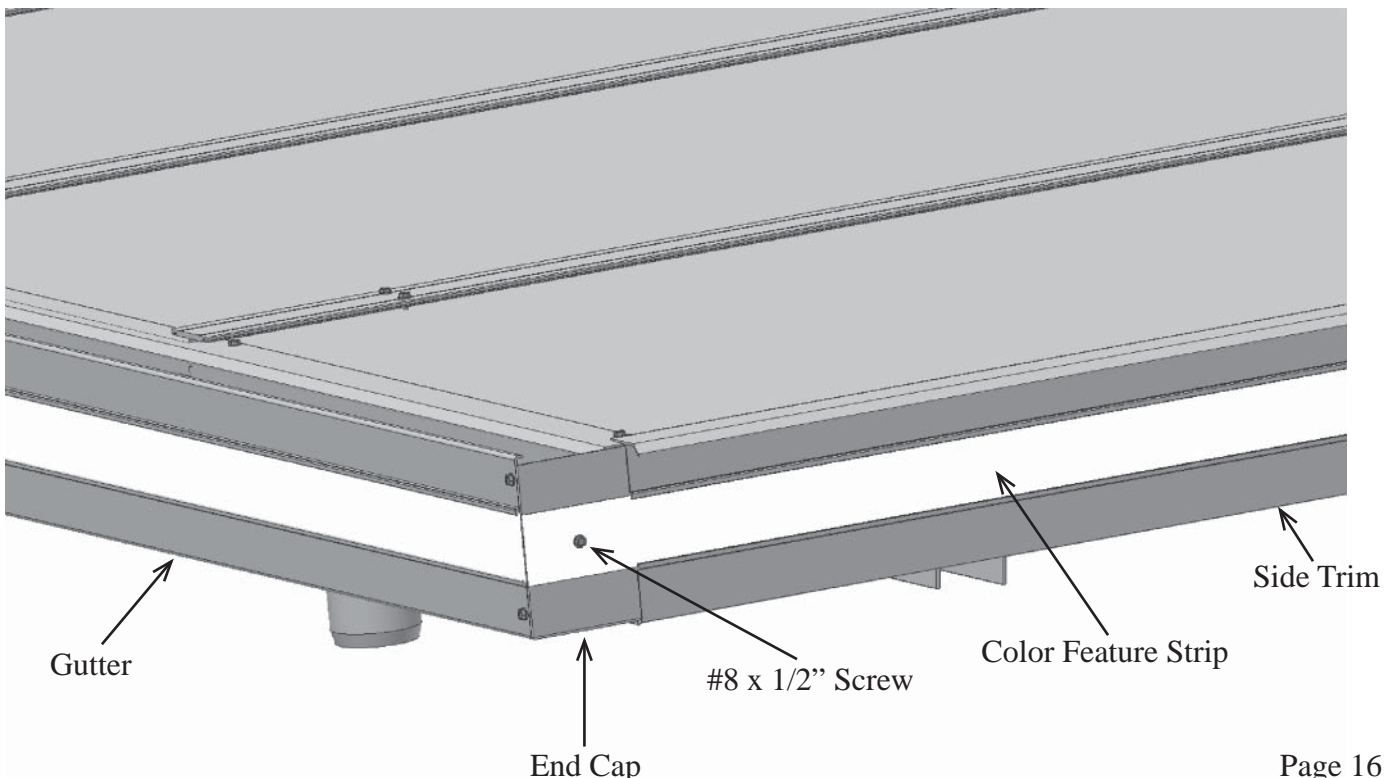
Place caulk around inside of right end of gutter. Install Right End Cap, as Shown, using #8 x 1/2" screws.

Repeat procedure to install Left End Cap.



### Installing Side Fascia Color Feature Strip

Install Feature Strip, allowing it to extend over Gutter End Cap and align with Gutter Front trim. Place a bit of caulk between Feature Strip and End Cap. Attach Color Feature Strip with #8 x 1/2" Screws.



# Downspout Assembly

## **Downspout Leader**

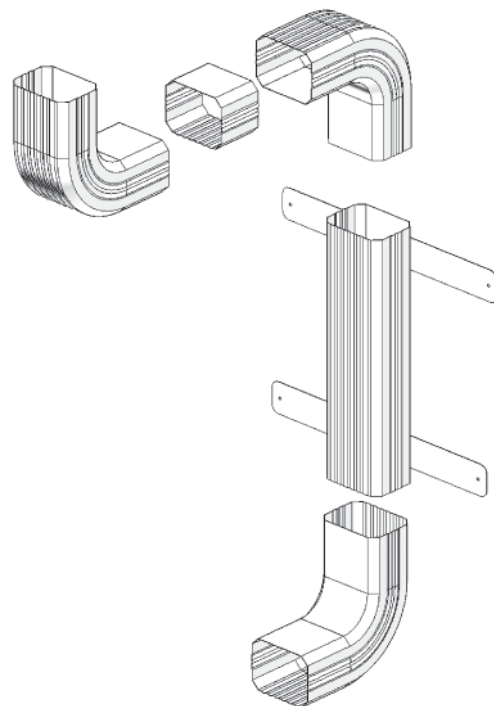
Supplied in 8-foot length only. Cut to desired length using metal saw with fine tooth blade (24T).

## **Elbows**

When Elbows and Downspout Leader are fitted and in position---install two #8 x 1/2" screws at each joint.

## **Downspout Leader Straps**

Straps are supplied flat and are easily hand formed around the Downspout and fastened to Column.



## **With No Gutter - Install Front Fascia**

Measure and cut Front Fascia to size. If you are using two or more Fascia sections, avoid having a Fascia joint at a roof girder location. Cut the Drip Edge Fascia at a 45 degree miter for the finished corner look. See drawings below.

In some installations spaces may occur between the Fascia and the Roof Panel at the Girder. This is usually caused by the variations in the wall of the home that are transferred to the front edge of the roof.

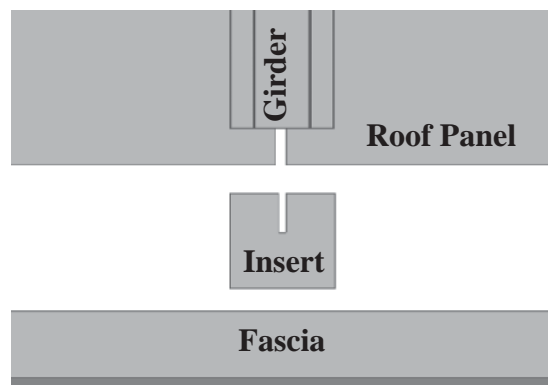
Front Fascia Inserts have been provided to fill any unsightly spaces at the Girder and Front Fascia.

First, hold Fascia in position and note any spaces showing between Fascia and Roof Panels at the girders.

Lower Fascia and install Front Fascia Inserts at the top and bottom of each of the noted locations. See Drawing. Simply slide the Insert into position between the Girder and Roof Panel with the slot straddling the center of the Girder.

As with the Side Fascias, apply a bead of caulk on the top of each roof panel about 1/2" in from edge. Then slide Fascia onto the Panel ends.

Secure Fascia to the Roof Panels with #8 x 1/2" screws at center of each panel, installed through both the top and bottom lips of the Fascia. Install a screw at each side of any fascia joints.

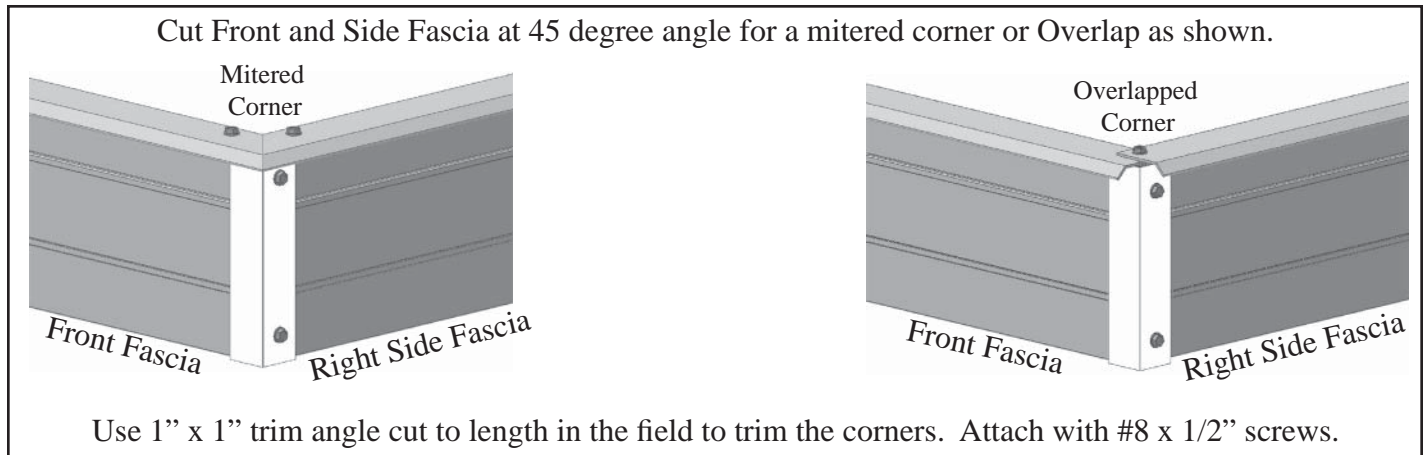


## Installing Front Fascia Color Feature Strip

If no gutter was installed, a Color Feature Strip is to be installed on the Front Fascia. Fasten with one #8 x 1/2" screw. Position so that the side Fascia will butt up against the Front Feature Strip.

## Installing Side Fascia Color Feature Strip

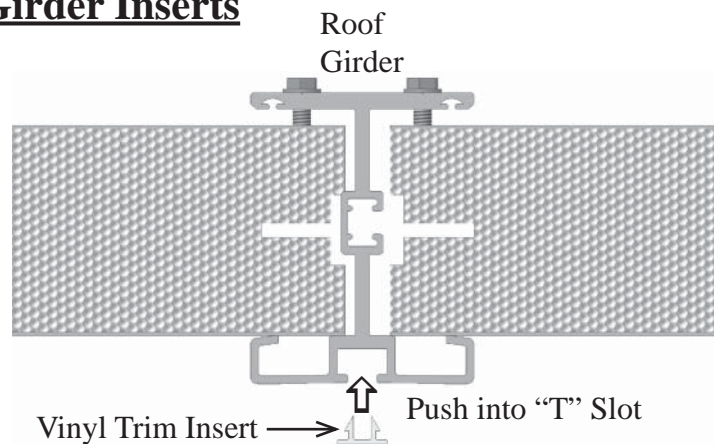
Install Feature Strip in alignment with Front Fascia. Place a bit of caulk between Feature Strip and Side Fascia. Attach Color Feature Strip with #8 x 1/2" screw.



## Decorative Girder Inserts

Measure length of Roof Girders between Mounting Rail and Front Header. Cut Vinyl Trim Inserts to this length.

Vinyl Trim Inserts are to be pushed into and seated in each Roof Girder "T" Slot.



## Extensions to Existing Roof

1. Remove Side Fascia, Downspout and Gutter end section.
2. Install Mounting Rail as described on Page 1.  
Install foam tape on Front Header.  
Attach new section of Front Header to existing Header with Joiner provided.
3. It may be necessary to remove end Post Anchor to change Post location. If necessary, install new Post(s).
4. Install Roof Girder on existing Roof Panel and attach to Mounting Rail and Front Header. A hole will need to be drilled at each location. Install 1/4" x 1/2" Bolt with Locking Nut. Also use extra washer provided.
5. Install remaining Roof Girder(s). Reinstall Side Trim. Install Roof Panels.
6. Complete Roof Assembly as described in instructions.

## Special Applications

When the side of the Roof installs next to a home. Illustration shows installing Left Side of Roof to Home. Instructions also apply when Right Side of Roof is Attached to Home.

1. Install Mounting Rail as shown on Page 1. Allow space for Side Fascia between end of Rail and home inside corner.

2. Check that inside corner is 90 degrees. Shim if needed.

3. The Fascia Drip Edge must be removed so Fascia will fit flush against the home. Use hack saw or saber saw.

4. Position Side Fascia, determine pitch as shown on Pg. 13.

5. If window frame interferes slightly with Side Fascia, cut notch with saber saw.

6. Locate and drill  $\frac{13}{64}$ " holes  $\frac{1}{2}$ " above the lower Panel Support of the Side Fascia, about 16" apart.

7. Attach Side Fascia to home, using #12 x 2" screw. Then apply caulking along top edge of Side Fascia.

8. Follow instructions on pages 8, 9 and 10. Install first Roof Panel as described on Page 11. (If Left Side Fascia has been installed on home, begin Roof Panel assembly on the left side of the Roof.)

9. Next to the installed Side Fascia, place a bead of caulk on top of Roof Panel, from Mounting Rail to outside home corner. If using optional flashing cut to length. Place flashing over caulk and push back to cover Side Fascia. Secure along home with an appropriate screw, 12" apart, and with #8 x  $\frac{1}{2}$ " screws on top of Roof Panel.

10. Caulk top edge of flashing.

11. Complete Dura-Therm Roof assembly, following the instructions.

