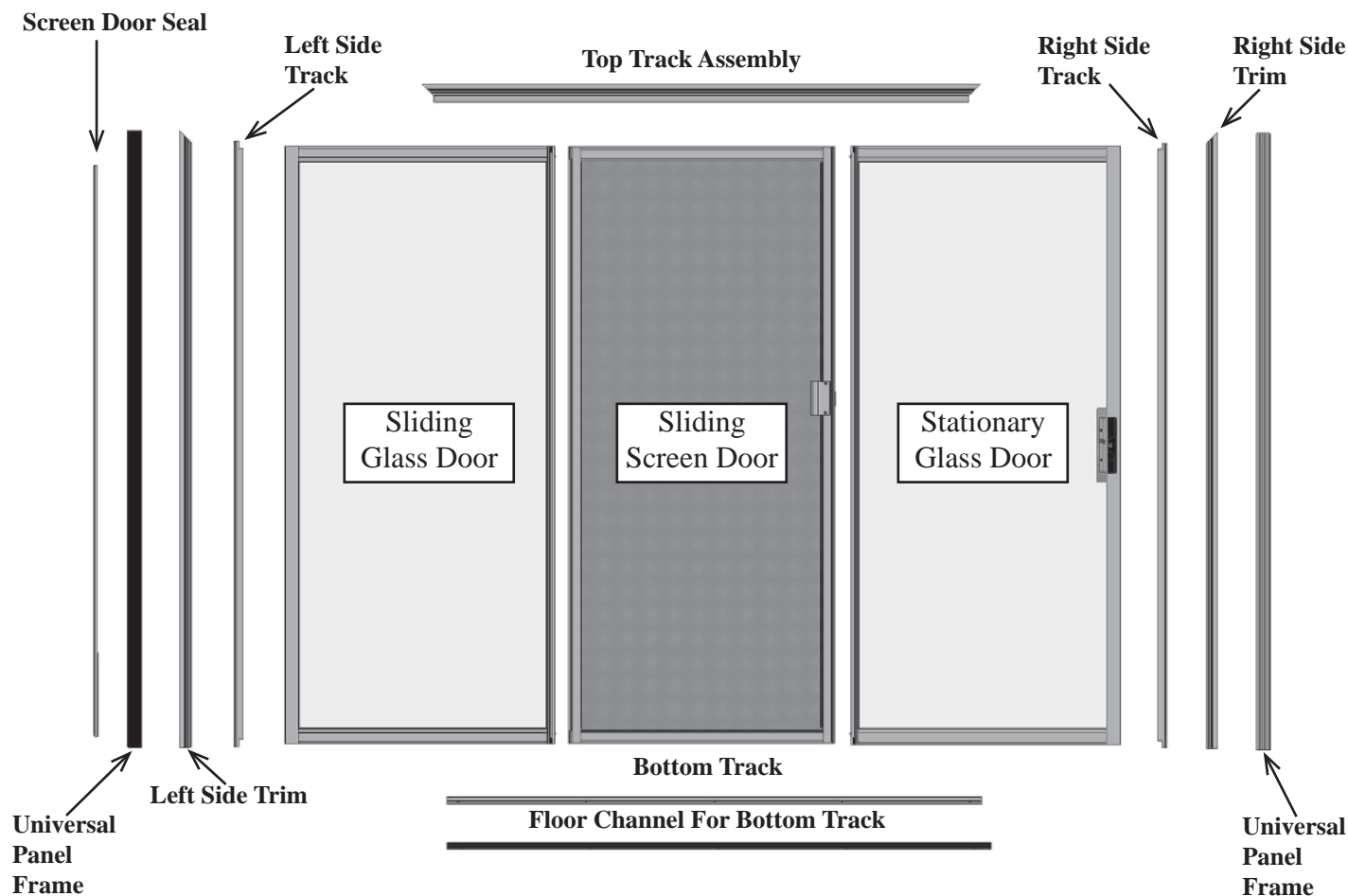




Premier & Deluxe 3-Season Room Sliding Glass Door Installation Instructions



Read the instructions before starting the job. They explain the steps required to produce a finished product that will meet factory specifications.

All references to "Left" and "Right" are while facing the home.










Check the material received.
Match your shipment with the Bill of Materials.
If there is a shortage or wrong material,
call Dealer Service immediately.

Safety is important!
Wear Safety Glasses and Work Gloves.
Follow all safety practices while assembling
and installing this product.

Dura-Bilt Products, Inc. P.O. Box 188 Wellsburg, N.Y. 14894

Dealer Service 570-596-2000 E-Mail info@durabilt.com

DURA-BILT RESERVES THE RIGHT TO CHANGE DESIGN AND/OR SPECIFICATIONS WITHOUT NOTICE.

Fasteners	Description
	#8 x 1/2" Self Drilling Screw
	#8 x 5/8" Self Drilling Screw
	#8 x 3/8" Binding Barrel with Flats
	#8 x 5/8" Flat Head Phillips Screw
	#8 x 1-3/4" Oval Head Phillips Screw
	#10 x 1" Hex Washer Head Screw Magni 599 Coated
	Plastic Lag Shield
	#8 x 1" Flat Phillips Screw
	#8 x 1/2" Truss Head Phillips Screw

Tools Needed

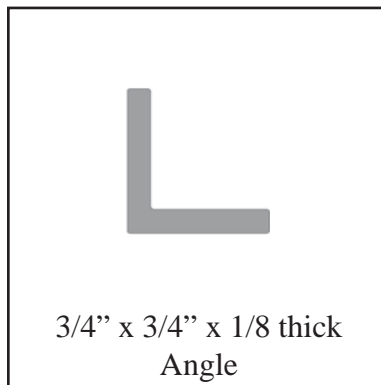
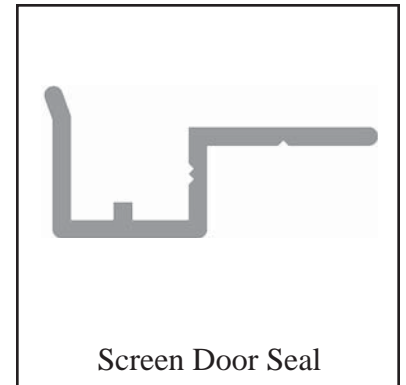
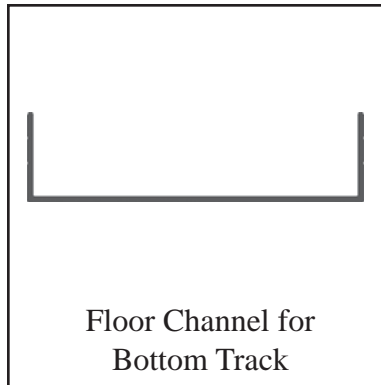
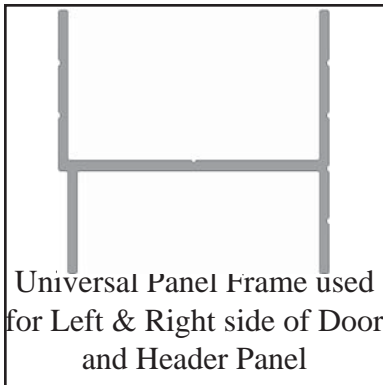
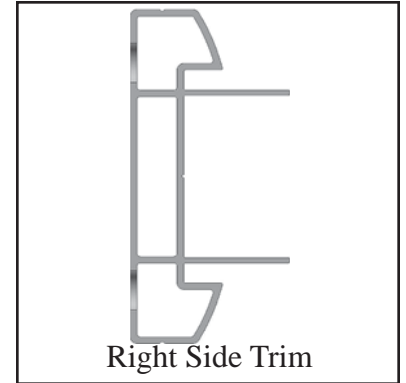
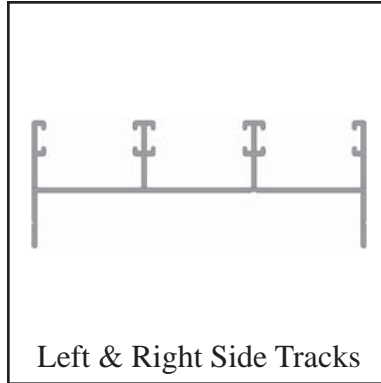
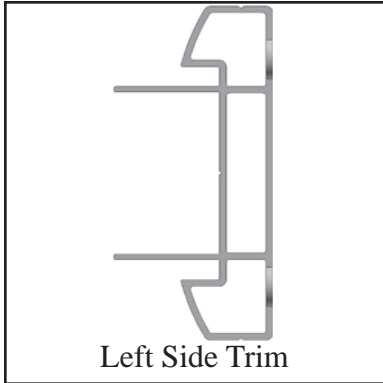
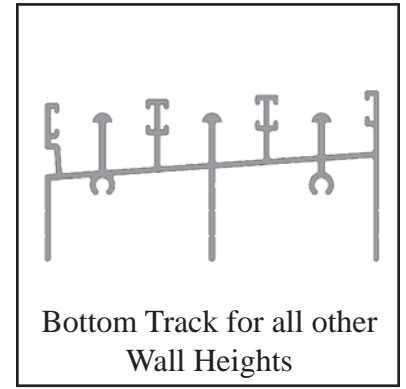
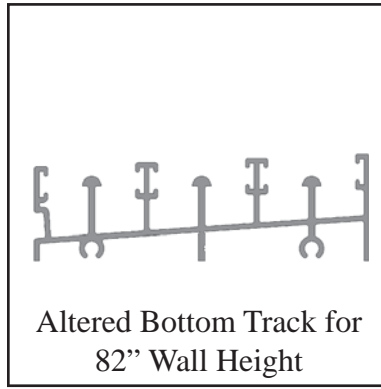
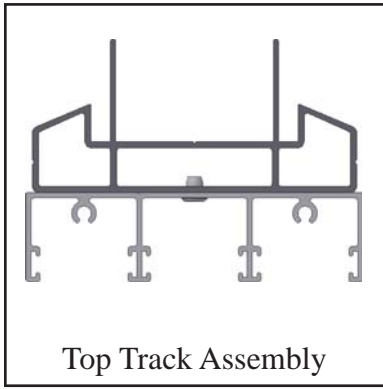
Drill
Level
Hammer
Caulk Gun
Utility Knife
Silicone Lubricant

Tape Measure
Chalk Line
Screw Gun
Vise Grips
Hack Saw
Phillips Screwdriver

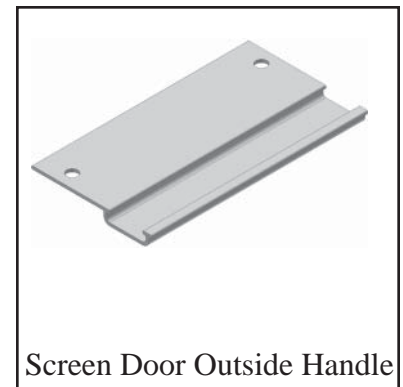
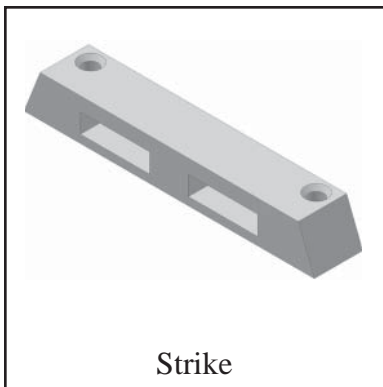
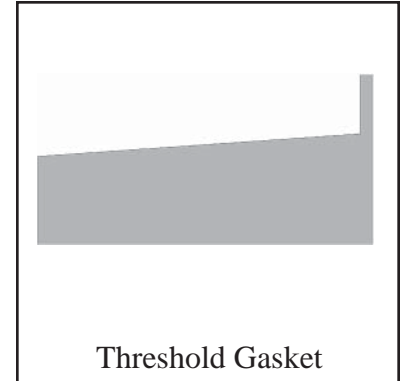
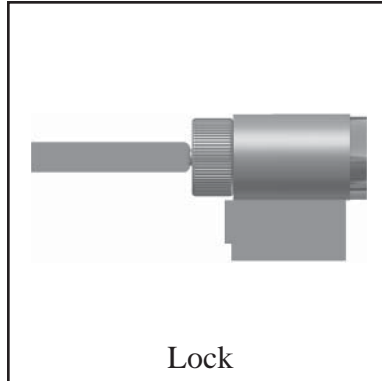
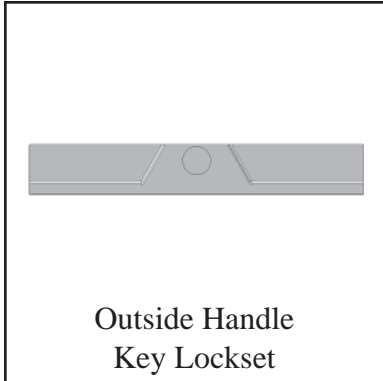
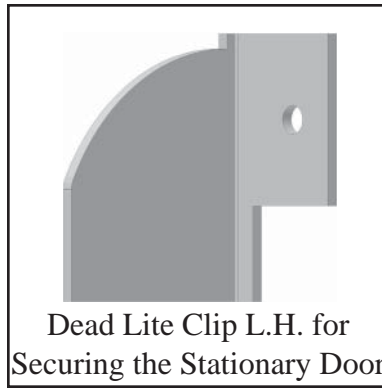
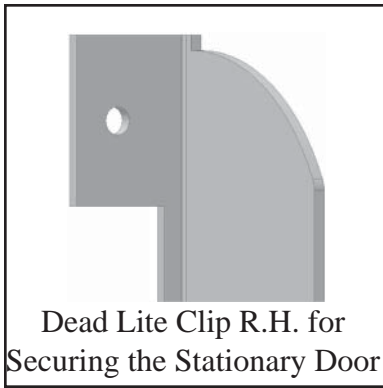
1/8", 7/32" & 1/4" Drill Bits

1/4" & 5/16" Nut Driver Bits with Magnetic Heads

Extrusions



Door Components

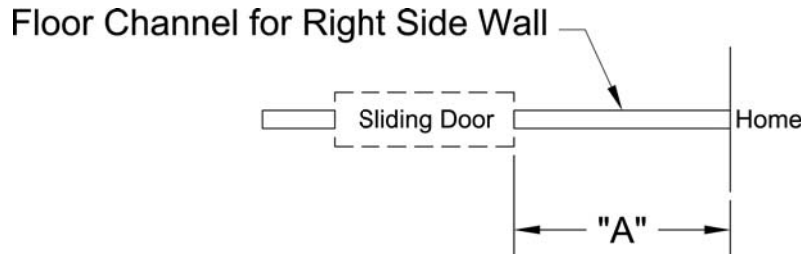


All door installation hardware is included with the Room Enclosure hardware.

The room wall with a sliding glass door is assembled by starting at the right side of the door location as viewed from outside the room.

Right Side Wall with Sliding Glass Door

1. Cut Floor Channel to length "A". This dimension is given in the Room Enclosure Wall Layout included with this product.

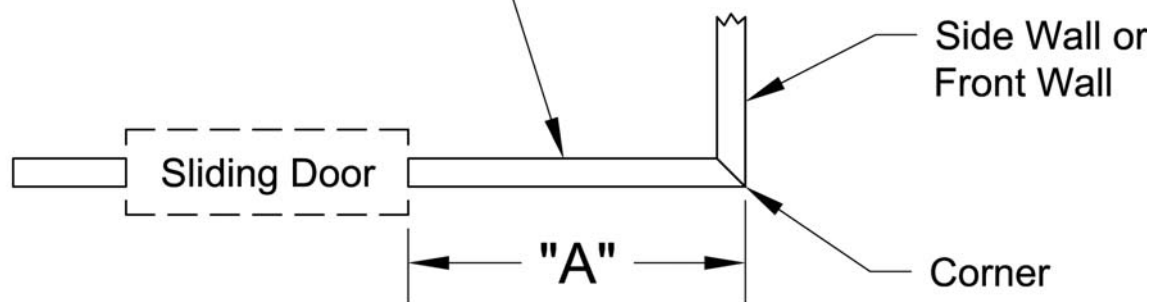


2. Install this section of Floor Channel starting at the home and fasten in place per Deluxe 3-Season Room Enclosure Instructions.

Front Wall or Left Side Wall with Sliding Glass Door

1. Cut a section of Floor Channel to length "A". This dimension is given in the Room Enclosure Wall Layout included with this product.

Floor Channel for Front or Left Side Wall



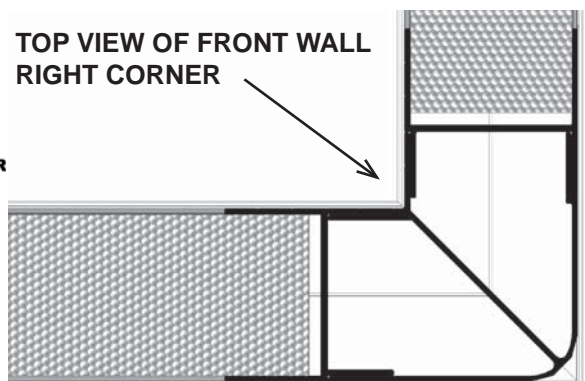
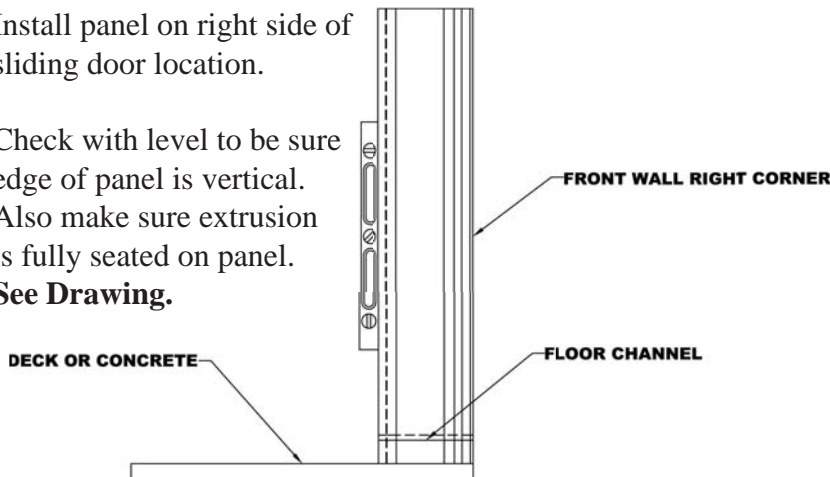
Note: When sliding door is located in the front wall, the length of the Floor Channel from the corner to the right side of the door may require more than one length of Floor Channel to make up length "A".

2. Cut a 45° miter on the end of the Floor Channel to match mitered corner of the adjacent wall.

3. Before installing the Floor Channel run a bead of Caulk across all holes and Caulk all joints and Install the cut section(s) of Floor Channel starting at the corner to the right of the sliding door location. Fasten in place per Deluxe 3-Season Room Enclosure Instructions.

Install panel on right side of sliding door location.

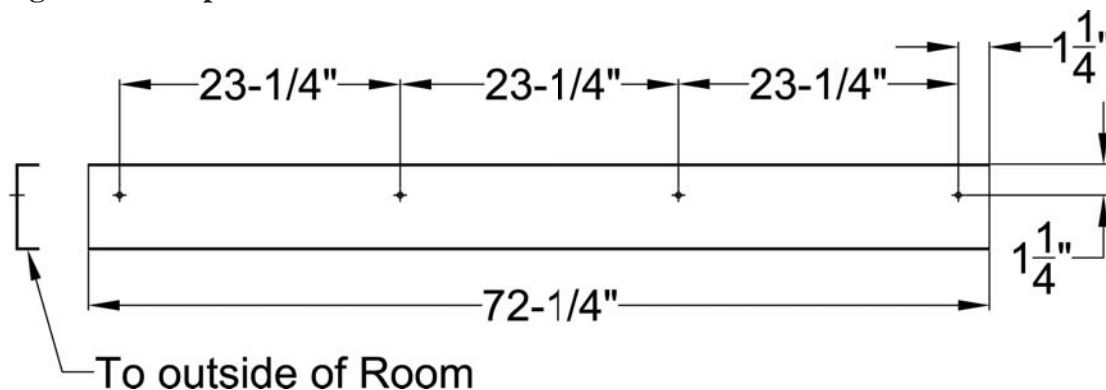
Check with level to be sure edge of panel is vertical. Also make sure extrusion is fully seated on panel. **See Drawing.**



Floor Channel for Bottom Track

The Floor Channel retains the Bottom Track of the Sliding Glass Door Frame and must be positioned accurately before installing the Bottom Track.

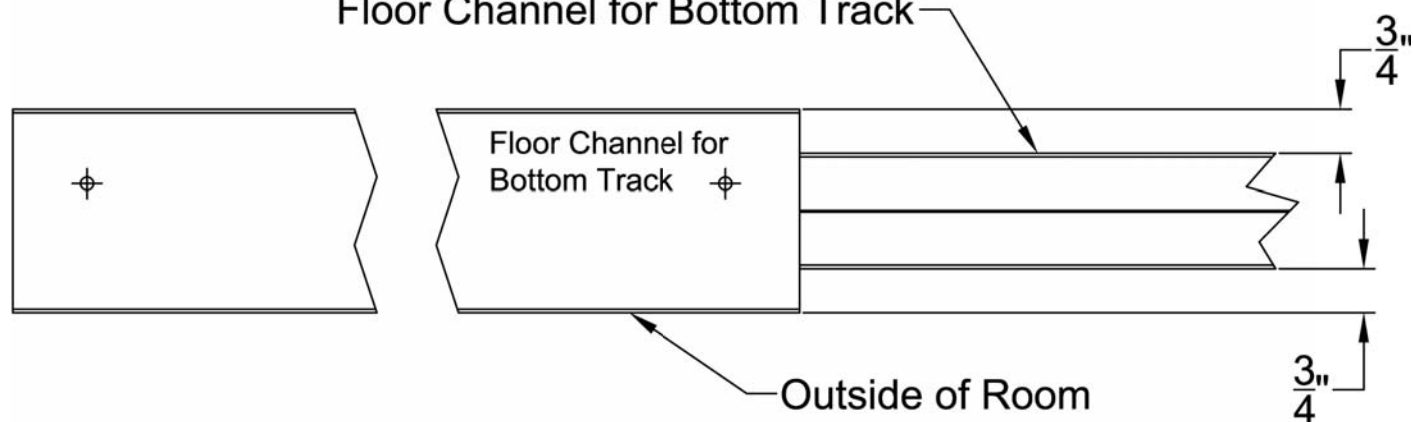
1. Mark four (4) hole locations equally spaced for (5', 6', or 8' Doors) and drill with a 7/32" drill bit. See 6' Sliding Door example below.



2. Place Floor Channel for Bottom Track where the sliding door is to be positioned.

3. Measure from the panel on the right and from the chalk line marking the outside edge of the wall. See drawing below for dimensions. Move Floor Channel for Bottom Track into the measured position.

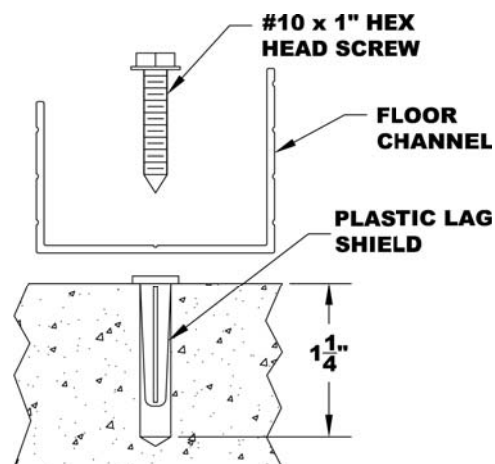
Center Floor Channel at Right and Left of Floor Channel for Bottom Track



4. Mark location of Floor Channel for Bottom Track sides and ends. Mark locations of mounting holes drilled in Step 1.

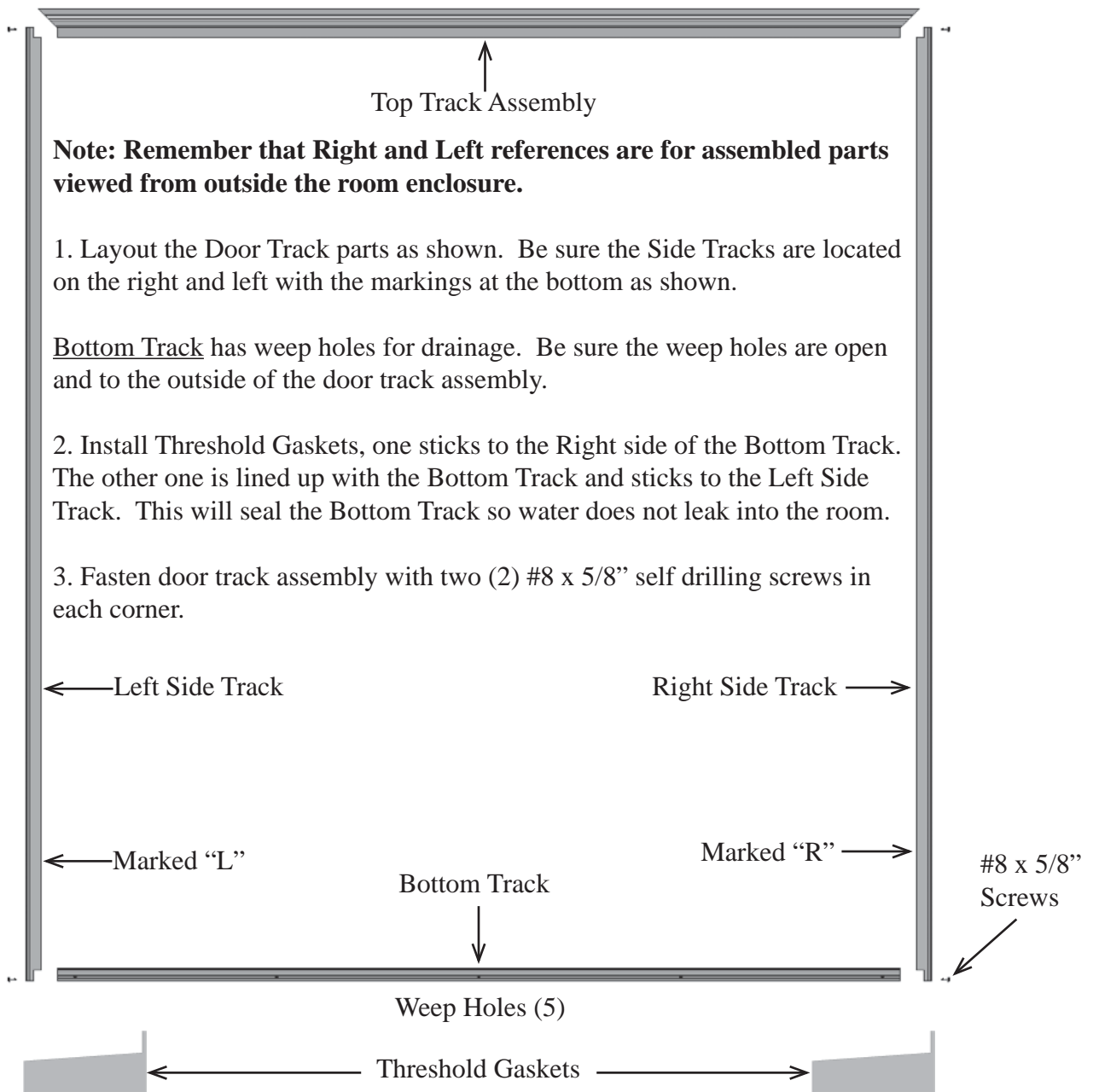
5. Drill holes for plastic lag shields with 1/4" masonry drill bit.

6. Install 1/4" plastic lag shields in holes. Run a bead of caulk under the Floor Channel for Bottom Track, position Floor Channel and install #10 x 1" screws through the holes in the Floor Channel and into the plastic lag shields.



Note: If the Enclosure is being installed on a wood deck. Run a bead of Caulk across all drilled holes on the bottom of the Floor Channel for Bottom Track. Use #10 x 1" screws only. Caulk all joints.

Sliding Glass Door Track Assembly

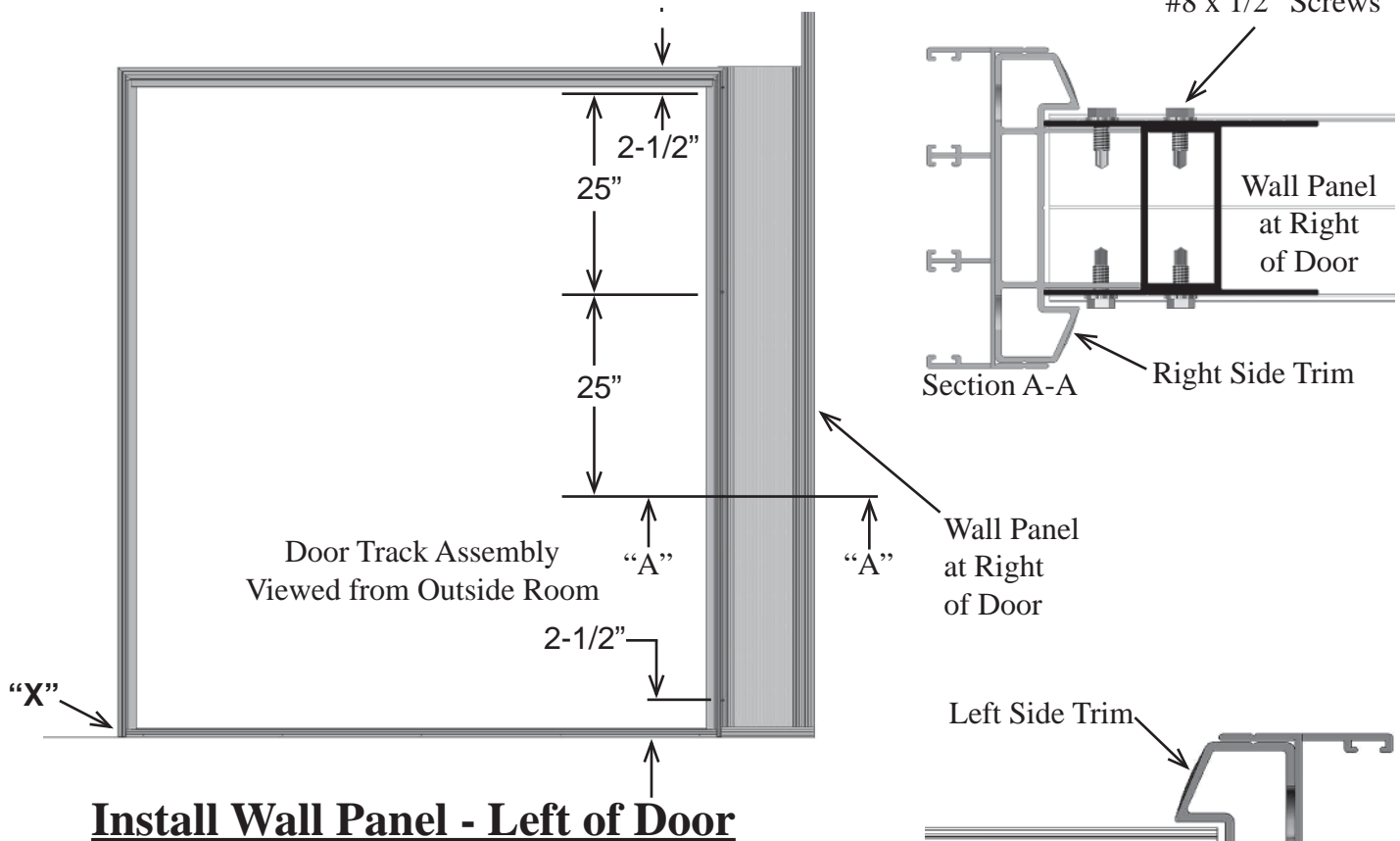


Attach Side Trims to Side Tracks

1. Side Trims are mitered at top to join the miter of the Top-Track Assembly.
2. Place Right Side Trim into right Door Track. Butt miters together at top.
3. Clamp Side Trim to Side Track. **Caution:** Be sure the track assembly is square and that the miters butt together before clamping in place.
4. Fasten Side Trim to Side Track with #8 x 1/2" self drilling screws. Use factory drilled holes in Side Track as guide for screws
5. Fasten left Side Trim to Left Side Track.

Install Door Track Assembly to Wall

1. Install Universal Panel Frame to right wall panel. See Drawing.
2. Insert Bottom Track of the Sliding Glass Door Track Assembly into the Floor Channel for Bottom Track. You may want to spray the Floor Channel for Bottom Track with silicone lubricant for easier installation.
3. Slide Door Track Assembly to the right to fully engage right side trim over right panel frame. Use caution as you guide the Door Track Assembly into position. Stand at left side and push to right at "X", guiding the assembly carefully into place.
4. Fasten right side trim to Right Universal Panel Frame. See Drawing.

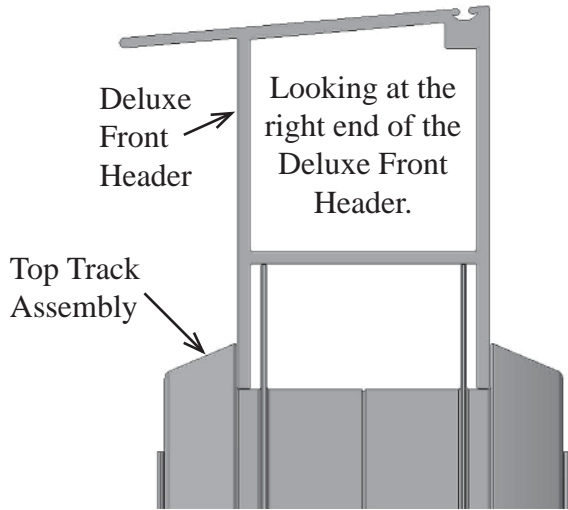


1. Install Floor Channel to Left of Door. Install Left Universal Panel Frame.
2. Insert wall panel on left side of door into Floor Channel and Left Universal Panel Frame.
3. Fasten this wall panel to the Left Universal Panel Frame with #8 x 1/2" screws, spaced and located the same as on the right side.

Note: In some cases you might have to work from the corner instead of the home wall. Example: an Enclosure with 120" right or left side walls with a Solid Panel at the home, a 6' Sliding Glass Door and a 39.08 Window Panel. If there any adjustments to be made they can only be made to the Solid Panel at the Home Wall.

Joining Header with Top Track Assembly on 76-1/2" and 82" Walls

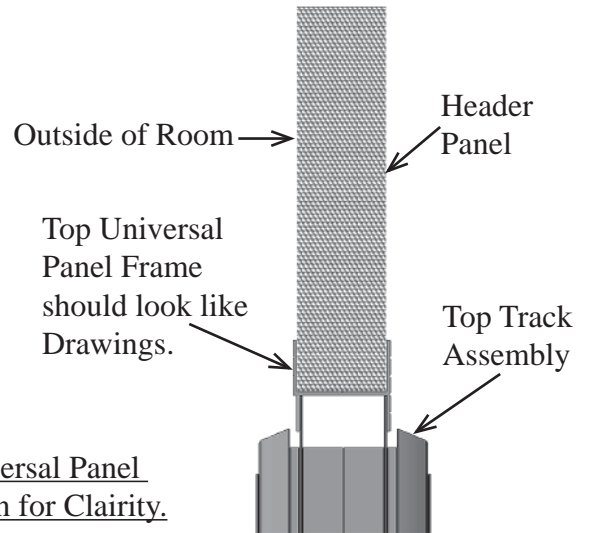
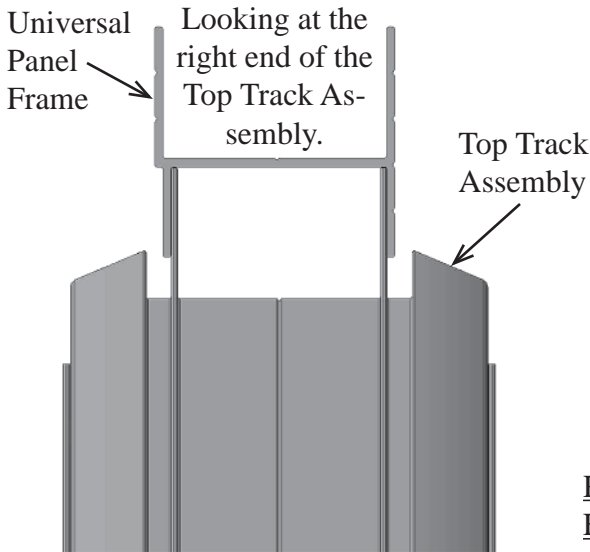
The header slides down into the Top Track Assembly. See Drawing



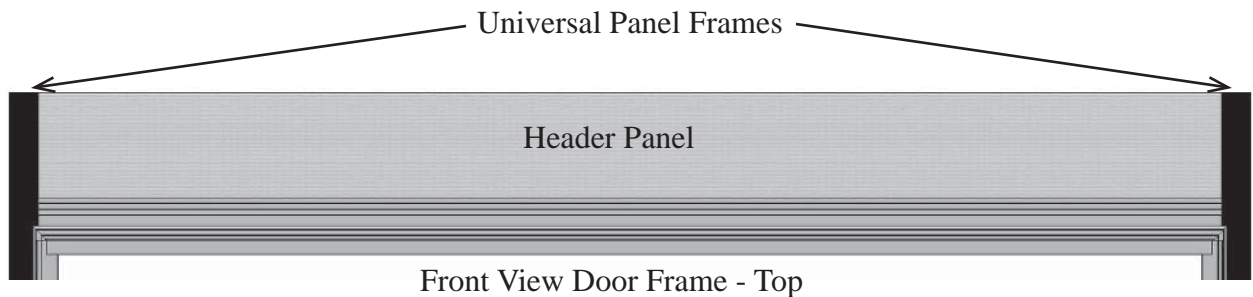
Wall Height	Door Rated Height
76-1/2"	75"
82"	80"

Header Panel over Door for 90", 96" and 102" Walls

Each door frame requires a Header Panel above top of door. Install Universal Panel Frame over legs of the Top Track Assembly. Header panel fits into the Universal Panel Frame. See Drawings.



Right and Left Universal Panel
Frames **NOT** Shown for Clairity.



Assemble by sliding the header panel down into the Universal Panel Frames on the left and right and into the Universal Panel Frame that was installed on the Top Track Assembly. Be sure header panel is fully inserted. Attach with #8 x 1/2" Screws.

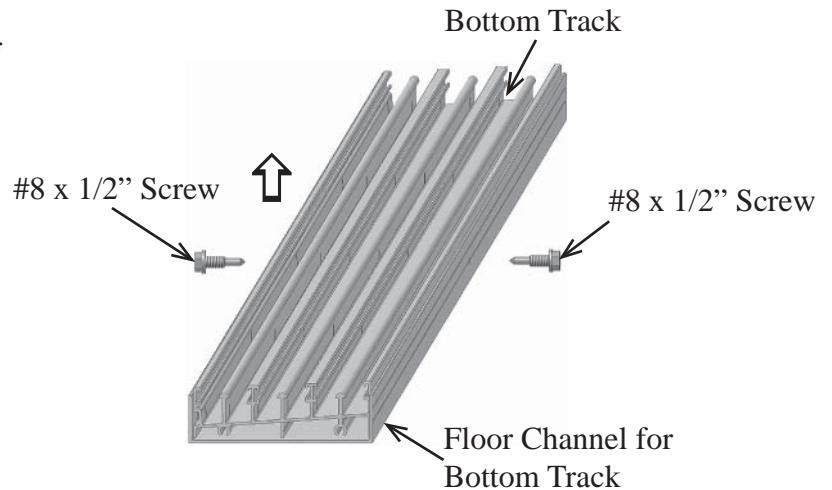
Arching Bottom Track

Before installing the Sliding Glass Doors, put an arch in the Bottom Track for smoother door operation.

1. Grasp one of the raised tracks with a pair of vise grips at the center of the Bottom Track. Do not grasp round tracks with vise grips.

2. Lift the center of the Bottom Track up approximately 1/8".

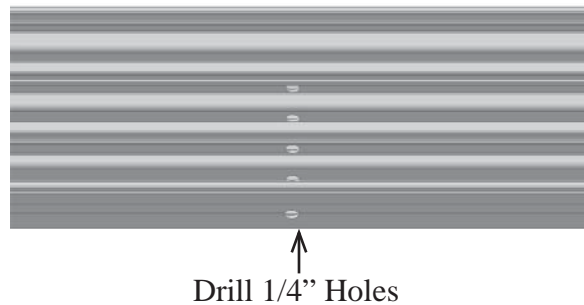
3. With the Bottom Track held up, secure by inserting #8 x 1/2" screws through both sides of the Floor Channel for Bottom Track, using the lower groove in the side of the Floor Channel for Bottom Track as a location point.



Weep Holes in Floor Channel for Bottom Track

After Bottom Track has been raised in the center it is necessary to drill weep holes in the outside flange of the Floor Channel for Bottom Track.

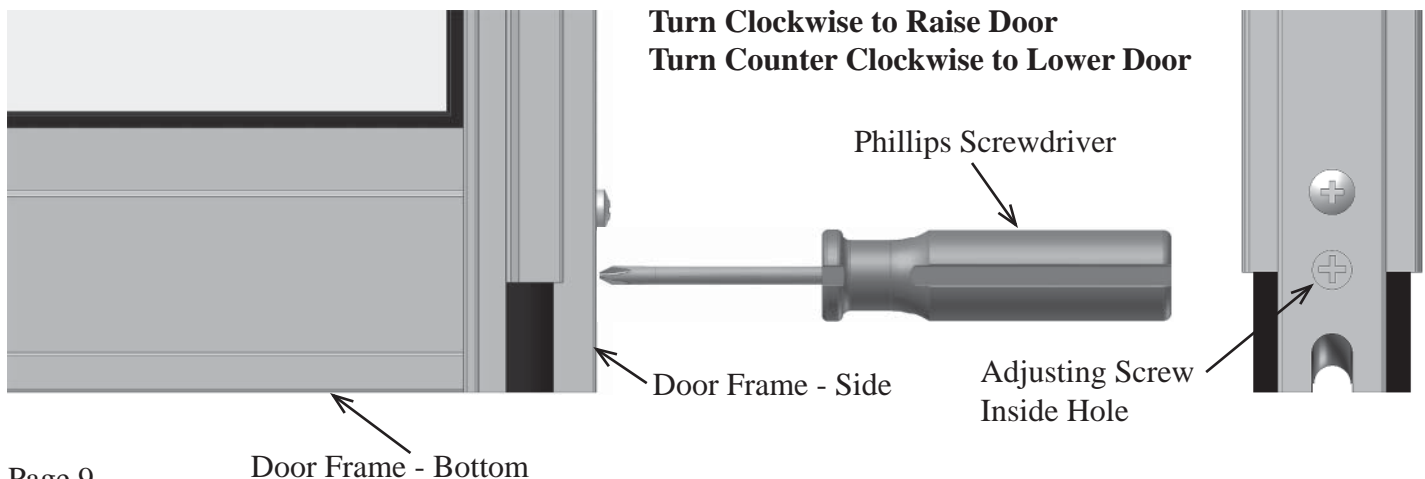
Using a 1/4" drill bit aligned by eye with the factory drilled weep holes in the Bottom Track, drill the outside flange of the Floor Channel for Bottom Track.



Ball Bearing Door Glides

Each sliding glass door and the sliding screen door have two built-in ball bearing roller guides in the bottom of the doors.

Before installing the door into the door track assembly adjust the ball bearing roller to bring the edge of the roller flush with the bottom edge of the door.

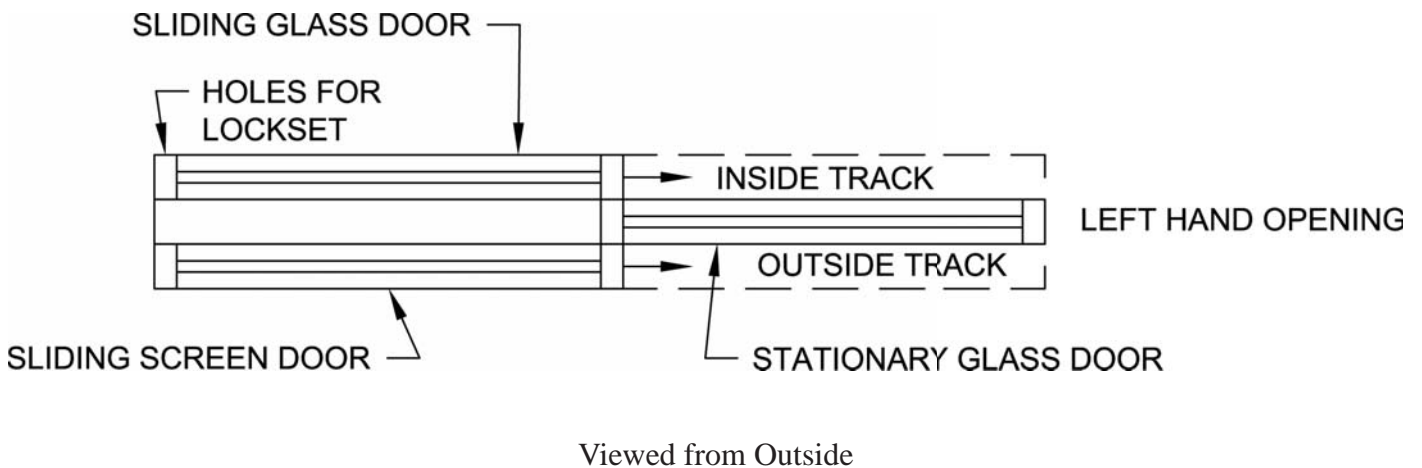
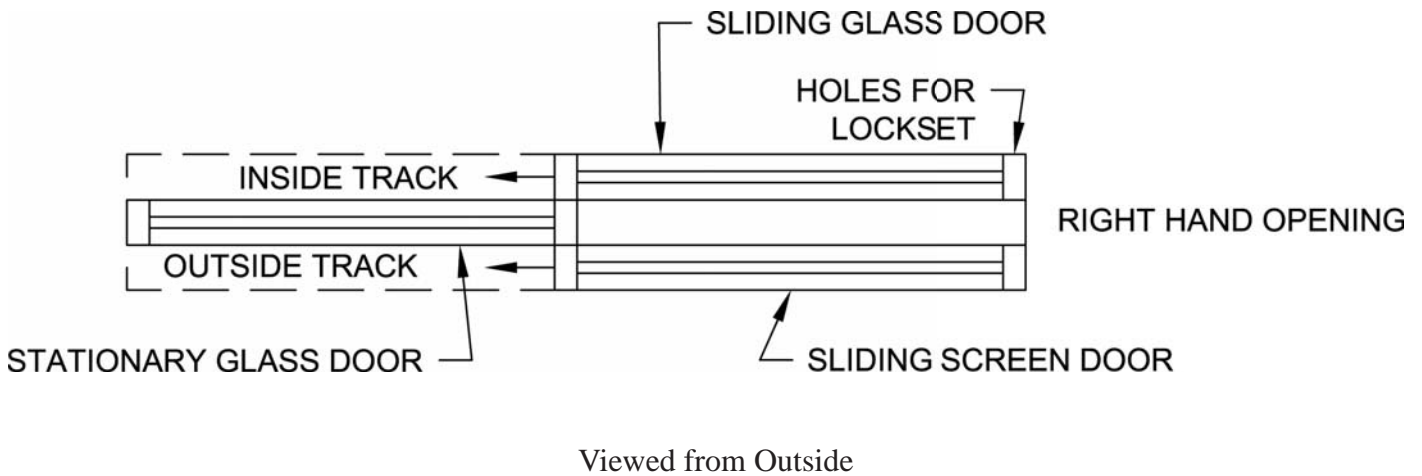


Installing the Doors

The sliding glass door is always in the inside track. The stationary door is in the center track. The Screen Door is in the outside track. Position of doors is shown in layout.

The sliding glass door can be positioned for either right or left opening. The position of the lockset holes in the door are always next to the side track.

Insert the top of the door into the top track as far as it will go. Then move the door in until the bottom of the door will enter the bottom track and the ball bearing rollers contact the top of the round track.



Adjusting the Doors

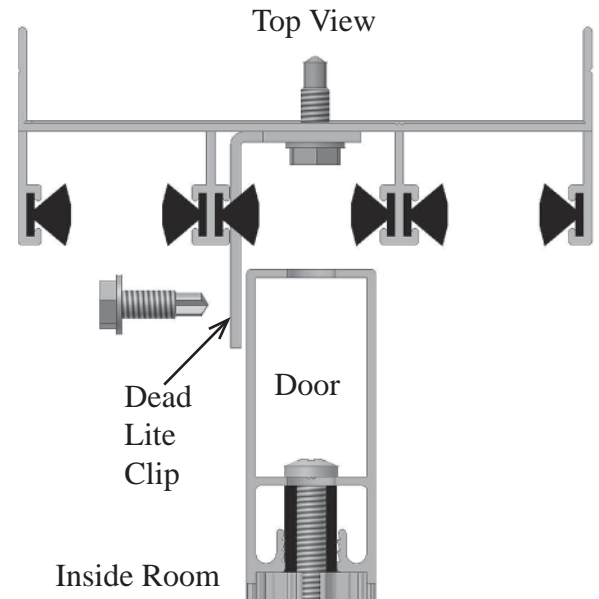
Adjust the ball bearing rollers by turning the adjusting screw until door is square in the door track assembly.

Turn the screwdriver **clockwise** to **raise** the door.

Turn the screwdriver **counter clockwise** to **lower** the door.

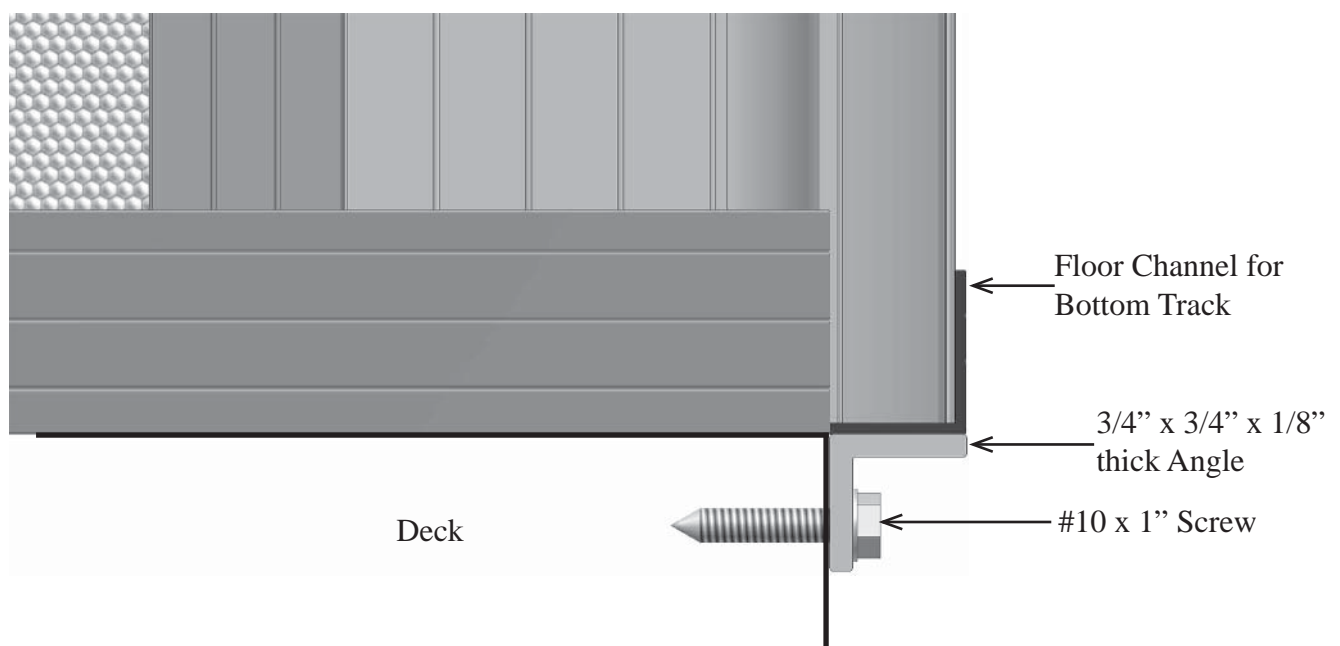
Secure Stationary Glass Door

1. Position the pre-drilled hole side of the Dead Lite Clip at the bottom of the door frame center track. The side of the Clip without a hole should be inside the room.
2. Attach the Dead Lite Clip to the Left or Right Side Tracks with a #8 x 1/2" depending if the Sliding Door opens Left or Right.
3. Repeat steps 1 and 2 at the top of the Left or Right Side Track.
4. Position The Stationary Glass Door unit into the Door Track Assembly and fasten the door to the Dead Lite Clip with a #8 x 1/2" Screw at the top and bottom.
5. Repeat steps 1 thru 4 for other Stationary Glass Doors.



Floor Channel for Bottom Track Support

1. When a room enclosure wall is installed near or at the edge of the deck, the Floor Channel for the Bottom track may need added support. Included with the order is a 3/4" x 3/4" x 1/8" thick Angle for attaching to the edge of the deck as shown in the drawing.

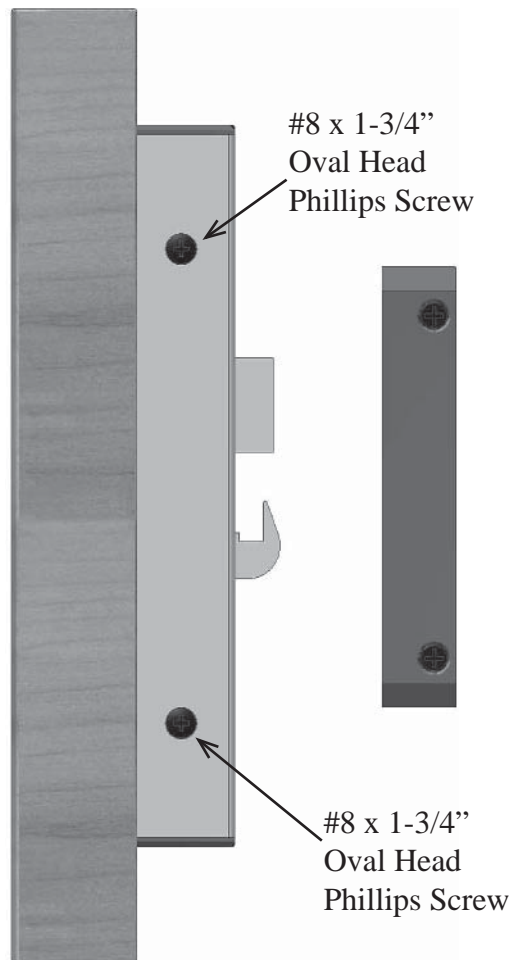


Lockset for Sliding Glass Door

The doors have been pre-drilled for direct installation of the lockset.

1. Remove the knock out from the Outside Handle for the Key Lockset.
2. Insert the lock into the Outside Handle for the Key Lockset.
3. Line up the Inside Key Lockset and the Outside Handle with the Lock.
4. Attach to Sliding Glass Door with two #8 x 1-3/4" Oval Head Phillips Screws.

Inside Key Lockset and Strike



Installing Strike for Lockset

With the Lockset in place, move the door to the fully closed position. Then place the strike in the latched position with Lockset. Center the Lockset vertically. You will want to center the 7/32" drilled holes in the Recess so the flats of the #8 x 3/8" Binding Barrels will fit. See Drawing Below.

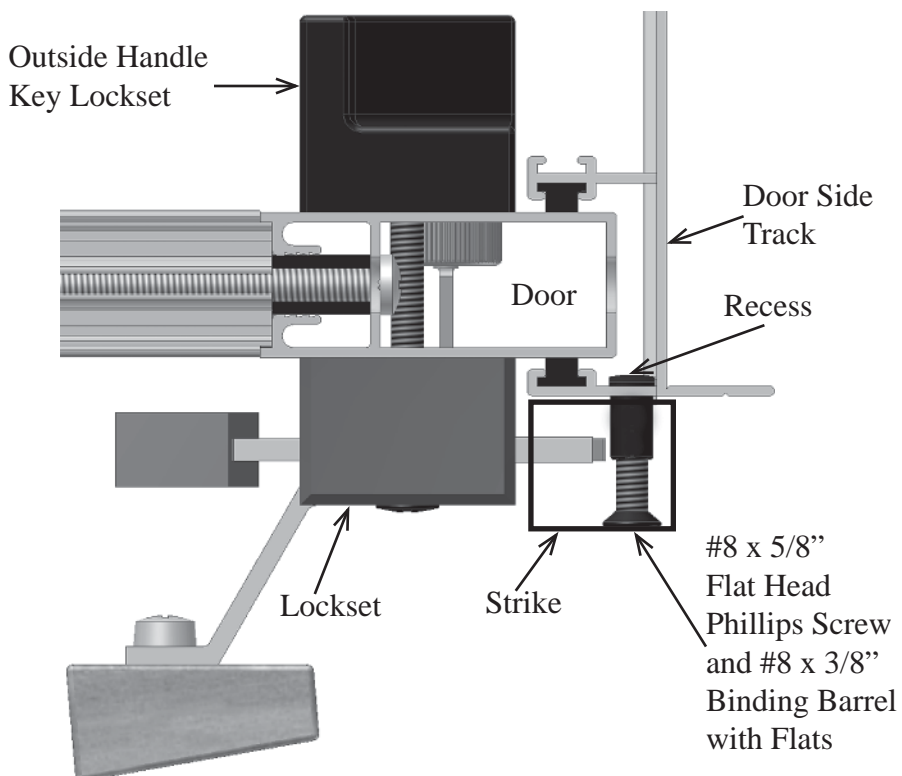
Insert the #8 x 3/8" Binding Barrels with Flats through the 7/32" drilled holes in the Door Side Track. Put Strike back in place over 7/32" drilled holes and attach Strike by using #8 x 5/8" Flat Head Phillips Screw and #8 x 3/8" Binding Barrels with Flats. See Drawing Below.

Inside View of Lockset and Strike



Use Strike as
guide and Drill
two 7/32" Holes
for #8 x 3/8"
Binding Barrels
with Flats

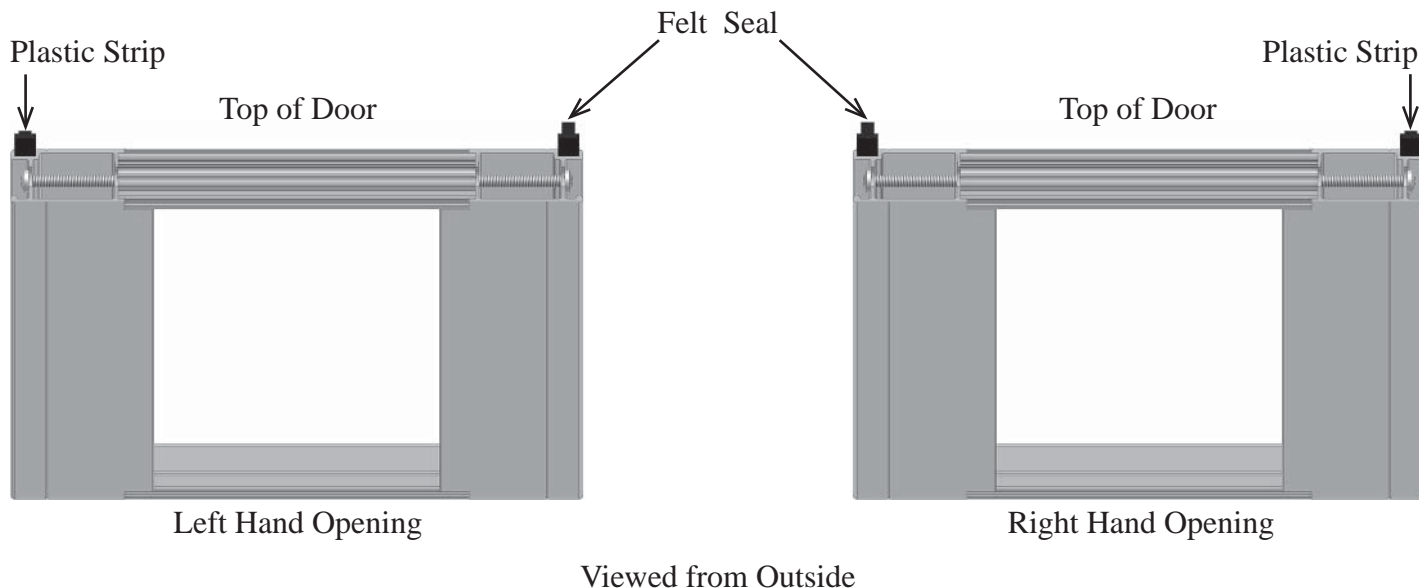
Top View



Screen Door Seal

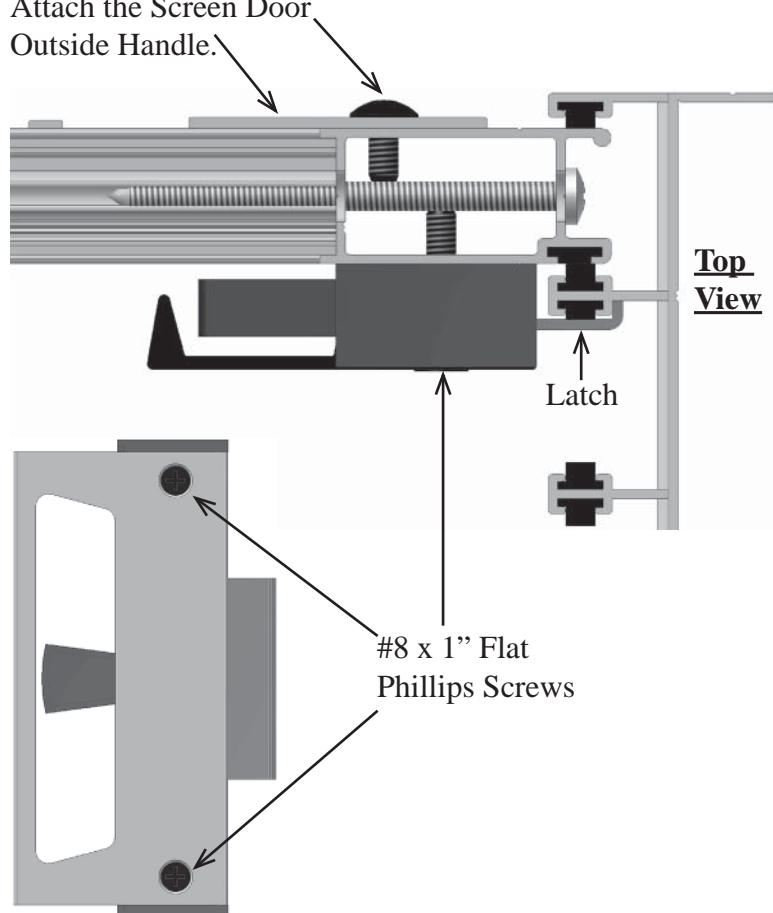
The screen door is installed with the felt seal on the inside. Before installing the door be sure the plastic strip and felt seal is in the proper position according to the door opening. The plastic strip is always next to the door side track.

When necessary remove the plastic and felt seal by pulling them out from the top of the door. Then, re-insert according to door opening. **See Drawing.**



#8 x 1/2" Truss Head Phillips Screws used to Attach the Screen Door Outside Handle.

Lockset for Screen Door



Note: The sliding screen door Lockset must be installed above the sliding glass door lockset for proper clearance.

1. With the screen door fully closed, locate the screen door lockset by hooking the latch over the side track. **See Drawing.**
2. Using the screen door lockset as a template, use an 1/8" drill bit and drill holes through one side of the door frame.
3. Attach the screen door lockset with two #8 x 1" Flat Phillips Screws.
4. To attach the outside door handle for the screen door. Use the outside door handle as a template and drill two 1/8" holes, then attach outside door handle with two #8 x 1/2" Truss Head Phillips Screws.

Screen Door Seal Extrusion

The screen door seal extrusion fits into the channel of the screen door frame which has the felt seal. Position the extrusion vertically so that it fits between the screw heads in the door channel. Fasten with three #8 x 1/2" Self Drilling Screws as shown.

