



**HANDLE & CLOSER INSTALLATION
INSTRUCTIONS FOR OUT SWINGING DOOR
DELUXE 3-SEASON, STANDARD 3-SEASON
DURA-BREEZE, DELUXE AND FULL SCREEN ROOMS**



Step 1

The notched spindle should be broken off to 2-1/4" long.

Step 2

Assemble key and cylinder to the lock button by inserting the key and cylinder into the lock button and turning the key one half turn. Remove key from cylinder prior to further installation. If you do not want to use the lock go to Step 3 and use the standard thumb button.

Step 3

Assemble spindle, spring and thumb button or lock button into outside handle as shown.

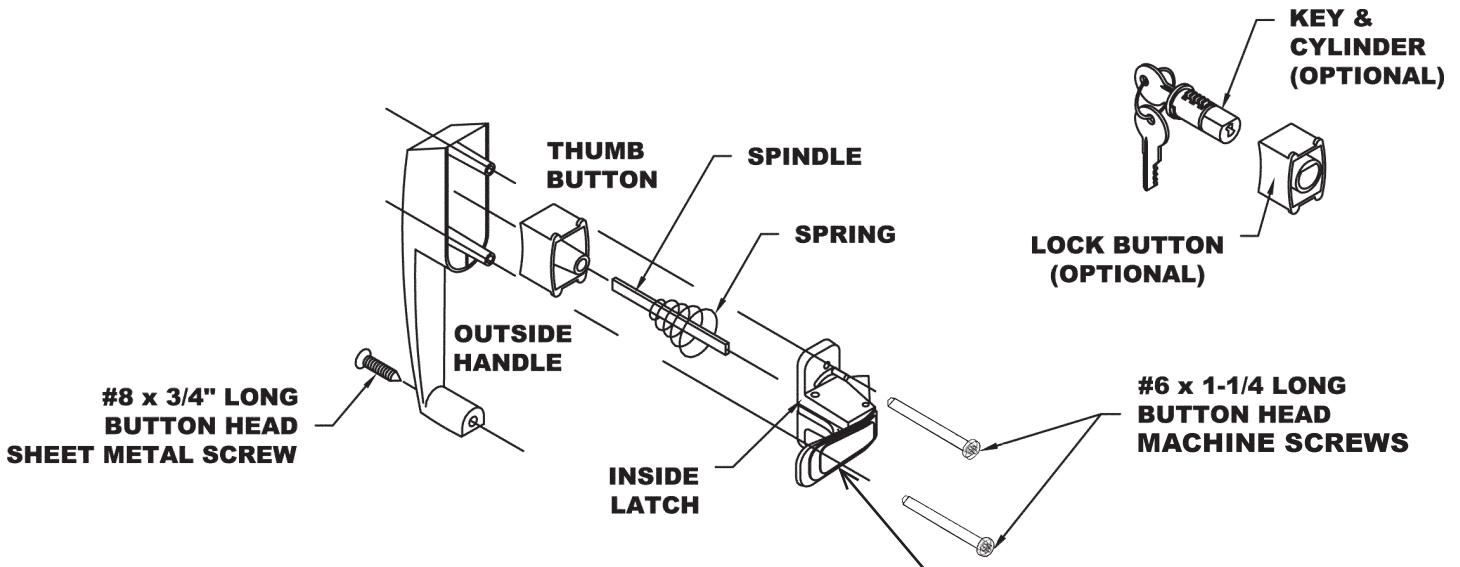
Step 4

Insert this assembly through the drilled holes from the outside of door. Then position inside latch with two (2) shims over holes on inside of door, guiding end of spindle into rectangular slot in latch. Insert #6 x 1-3/8" long, button head, machine screws through door into threaded sleeves and draw up firmly.

CAUTION: DO NOT OVER TIGHTEN AS THIS MAY CAUSE THE LATCH TO BIND.

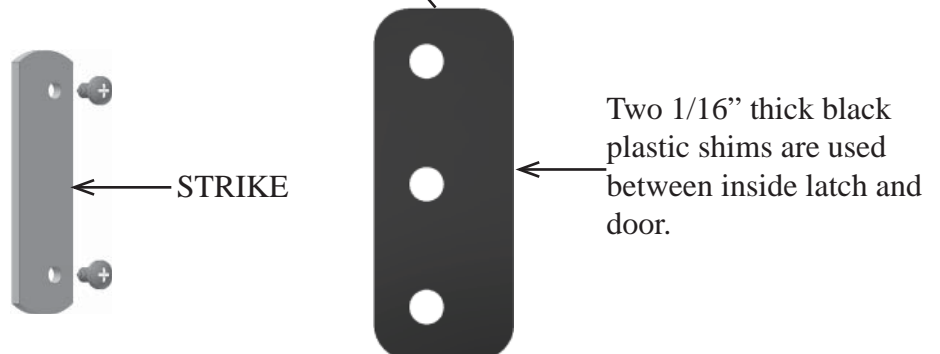
Step 5

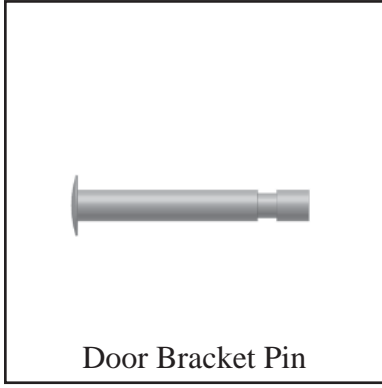
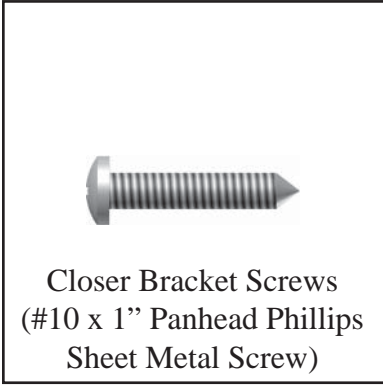
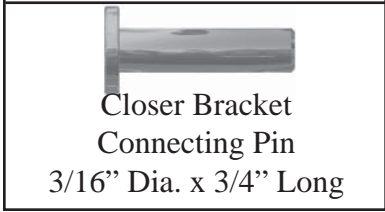
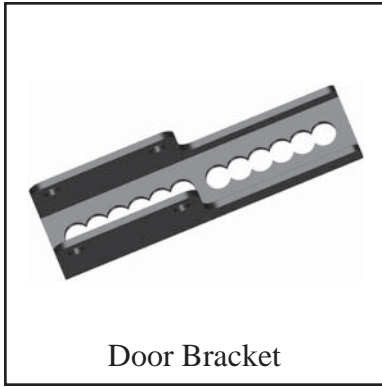
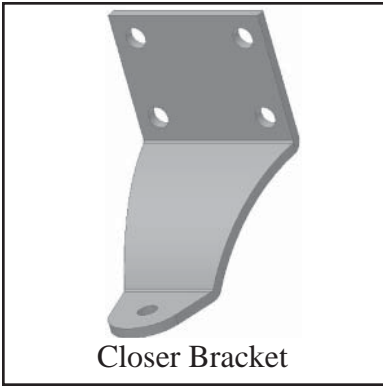
Standing outside pre-drill hole, using 1/8" drill, through outside skin of door. Use the hole in the bottom of door handle as a guide (**Do Not drill through to inside of door**). Install #8 x 3/4" long screw.



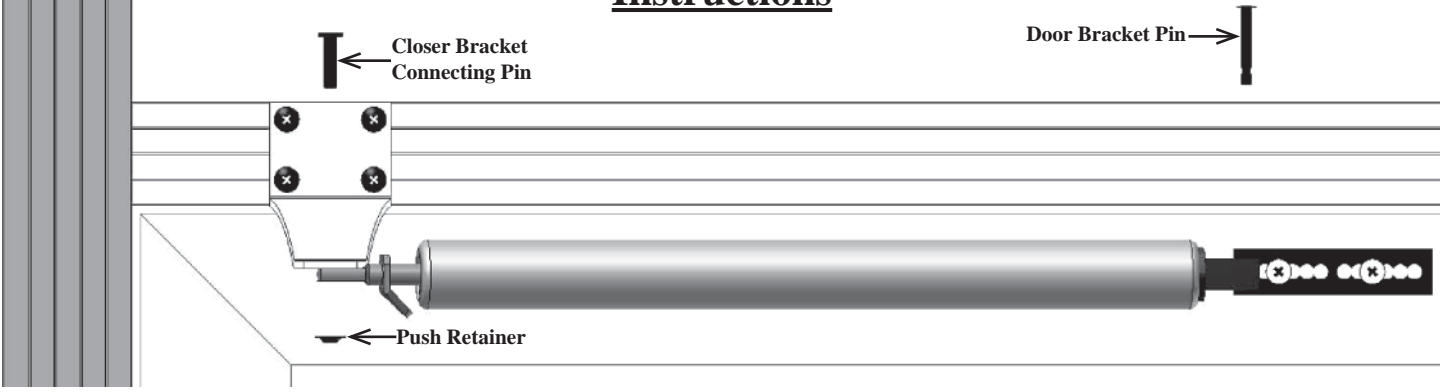
Step 6

Position Strike on door jam to match latch then mark and drill two 1/8" holes and fasten with two #8 x 3/8" pan head sheetmetal screws as shown below.





Instructions



1. Locate and pre-drill the four (4) factory marked Positions with a 9/64" drill. Attach the Closers Bracket to the Door Header oriented as shown with four (4) Closers Bracket Screws.
2. Slide the Hold Open Washer on to the Shaft of the Door Closer as shown.
3. With the Hold Open Washer on the Shaft slide the Closers Bracket Connecting Pin through the Closers Bracket and through the shaft of the Door Closer, then using a pair of pliers squeeze the Push Retainer on to the Pin.
4. With the Door Closer attached to the Closers Bracket, insert the Door Closer into the Door Bracket and attach it with the Door Bracket Pin.

NOTE: The Closer is in **Maximum** latching power position with (pin in Hole 1). If less power is required, hold door open with Hold Open Washer, pull Door Connecting pin and relocate in Hole 2.