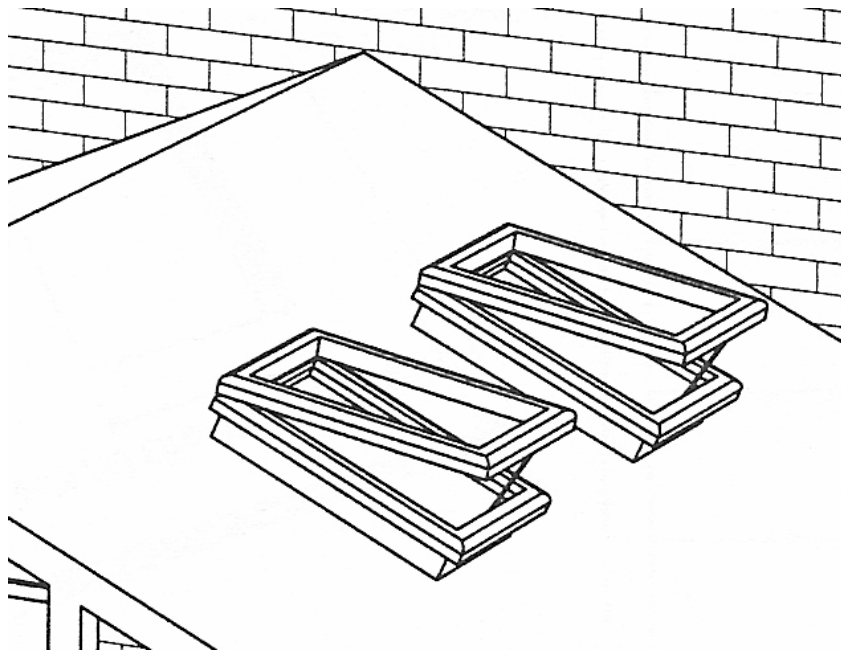




VENTING SKYLIGHT

INSTALLATION INSTRUCTIONS

Read instructions before starting the job. They explain the steps required to produce a finished product that will meet factory specifications. All references to “Left” and “Right” are while facing the home.



Check the material received.

Match your shipment with the bill of Materials.
If there is a shortage or wrong material, call Dealer Service immediately.

Safety is Important!

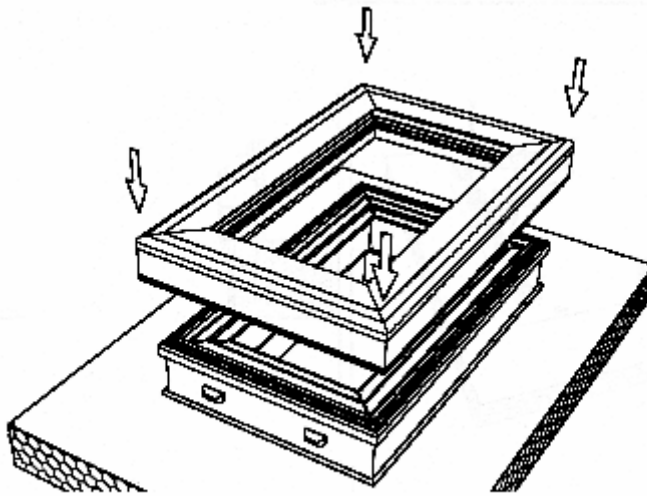
Wear Safety Glasses and Work Gloves.
Follow all safety practices while assembling and installing this product.

**DURA-BILT PRODUCTS, INC. P.O. Box 188 Wellsburg, N.Y. 14894
Dealer Service 1-570-596-2000 E-Mail info@durabilt .com**

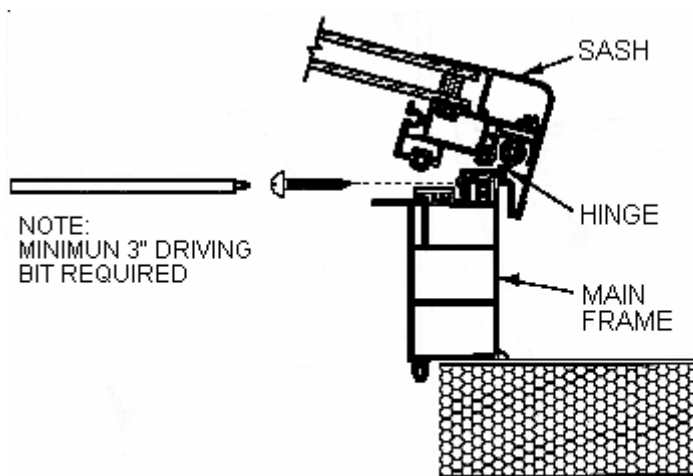
DURA-BILT RESERVES THE RIGHT TO CHANGE DESIGN AND/OR SPECIFICATIONS WITHOUT NOTICE.

The main frame is installed at our factory. The sash is field installed.

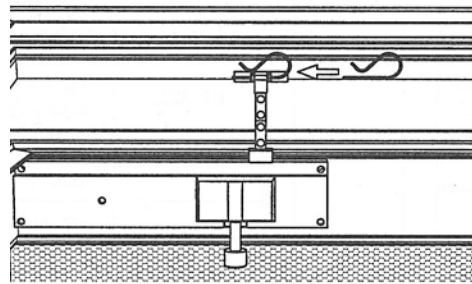
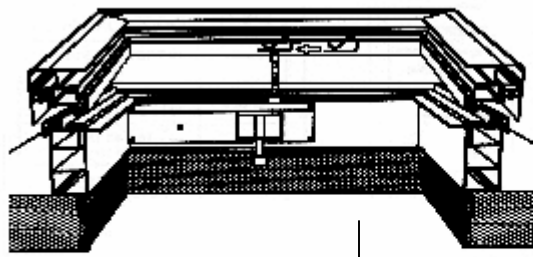
Before installing sash, make sure hardware chain link is in maximum opening position. Now you're ready to install the sash to the main frame. Hinging system is designed and cut to interior width of main frame. Lift the bottom of the sash to an open position and hinge will drop and self position sash to main frame for proper alignment.



Fasten sash to main frame in pre-drilled holes located on hinge using fasteners supplied.



Position the hardware chain link in keeper and insert pin in place.



ENLARGED VIEW