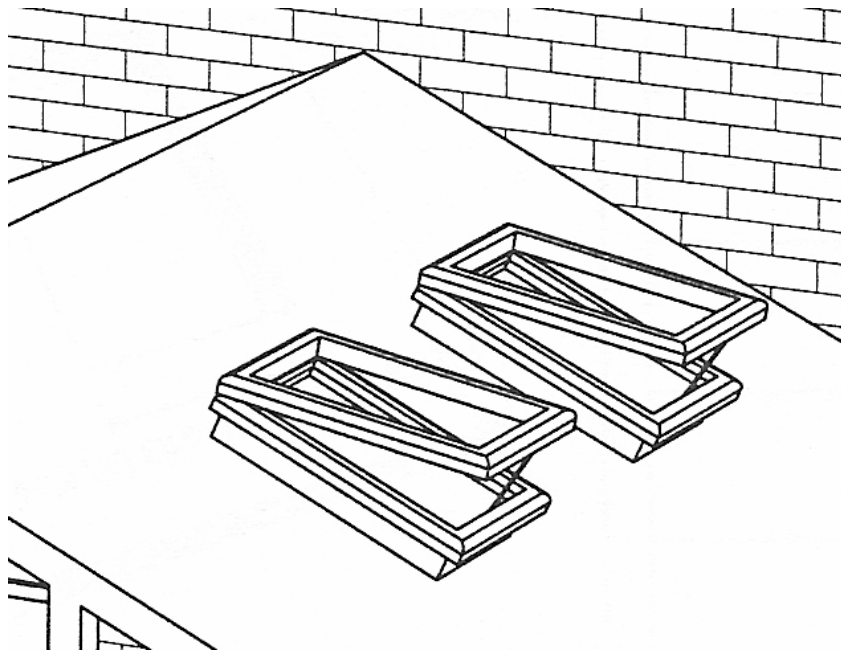




VENTING SKYLIGHT FIELD INSTALLATION INSTRUCTIONS

Read instructions before starting the job. They explain the steps required to produce a finished product that will meet factory specifications. All references to “Left” and “Right” are while facing the home.



Check the material received.

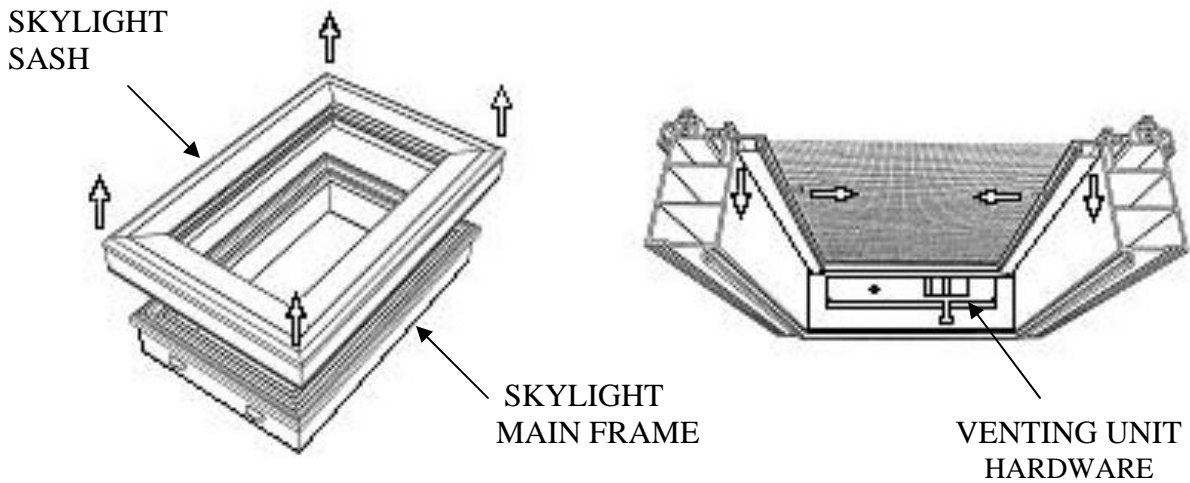
Match your shipment with the bill of Materials.
If there is a shortage or wrong material, call Dealer
Service immediately.

Safety is Important!

Wear Safety Glasses and Work Gloves.
Follow all safety practices while assembling and
installing this product.

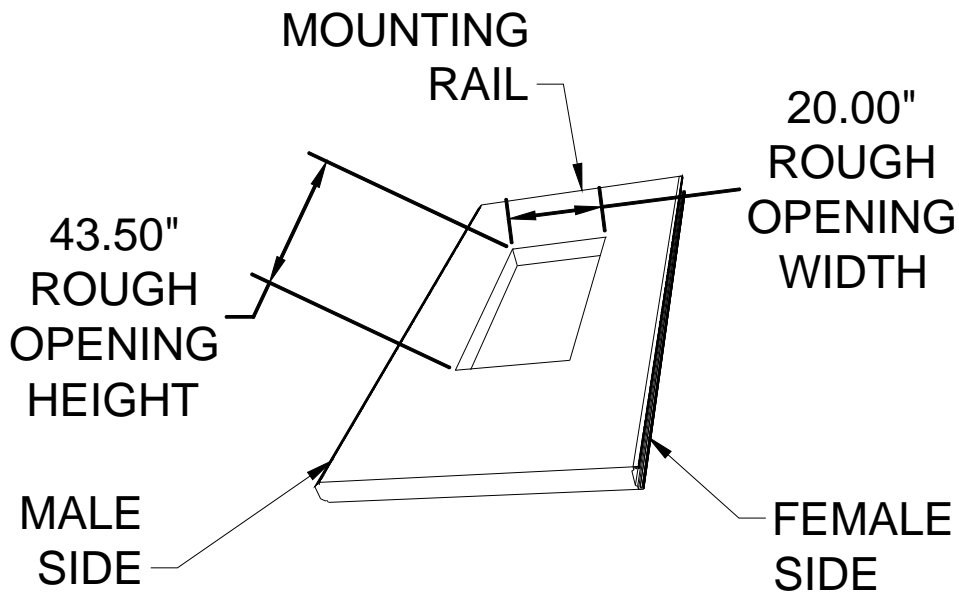
DURA-BILT PRODUCTS, INC. P.O. Box 188 Wellsburg, N.Y. 14894
Dealer Service 1-570-596-2000 E-Mail info@durabilt.com

DURA-BILT RESERVES THE RIGHT TO CHANGE DESIGN AND/OR SPECIFICATIONS WITHOUT NOTICE.

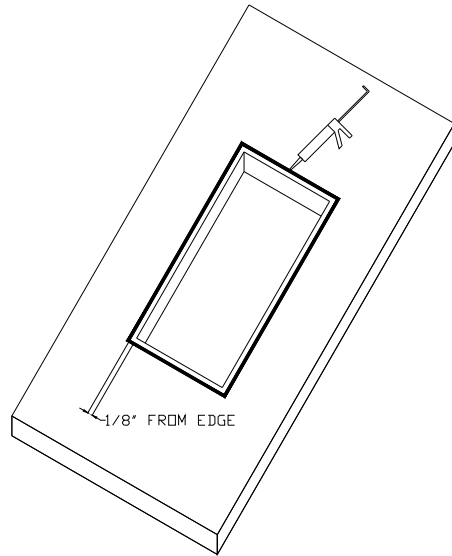


Handle With Caution! Venting unit sash is not fastened to main frame on header. Open the venting sash to maximum height, remove pin from hardware, separate sash from main frame and remove insect screen.

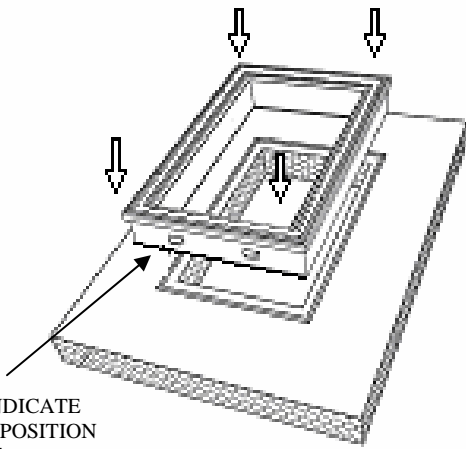
For 3", 4" and 6" Aluminum Foam Roof Panels.



The above illustration shows the standard installation of a Dura-Lock Roof.
Note: For Reverse installation of a Dura-Lock Roof the Female Side is on the Left.
 Cut the rough opening as per specified dimensions.

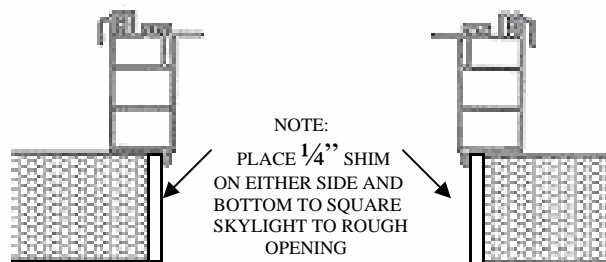


Apply caulk around rough opening approximately 1/8" from edges.



FLY TRAPS INDICATE
DOWNWARD POSITION
OF SKYLIGHT

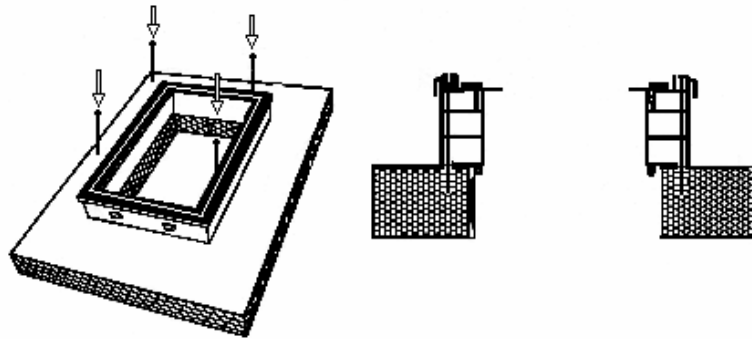
Insert skylight into rough opening.



NOTE:
PLACE 1/4" SHIM
ON EITHER SIDE AND
BOTTOM TO SQUARE
SKYLIGHT TO ROUGH
OPENING

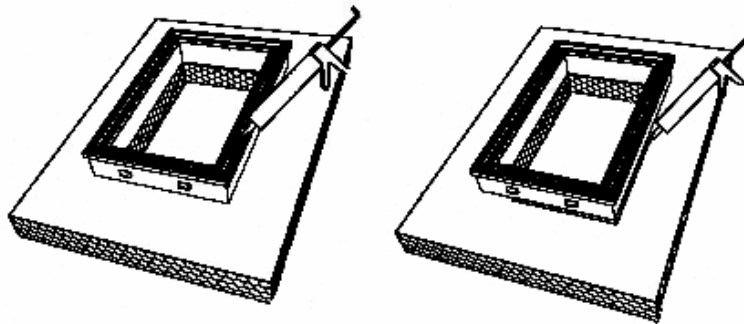
Using 1/4" spacers on either side and bottom, align and square skylight to opening.

Patents Pending



Fasten skylight to roof panel with 3/16" socket drive head. #10 x 5-1/4" screws.

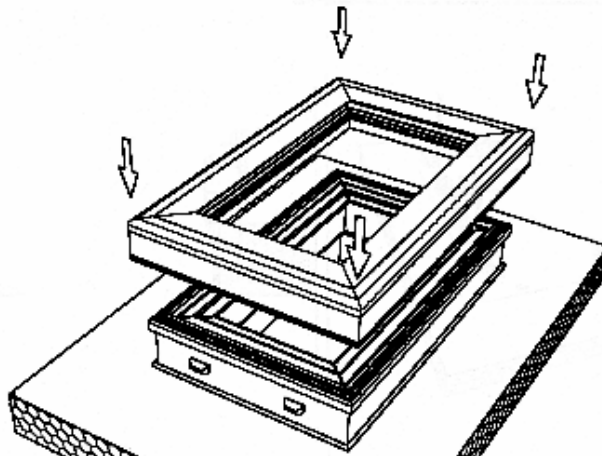
Remove shims.



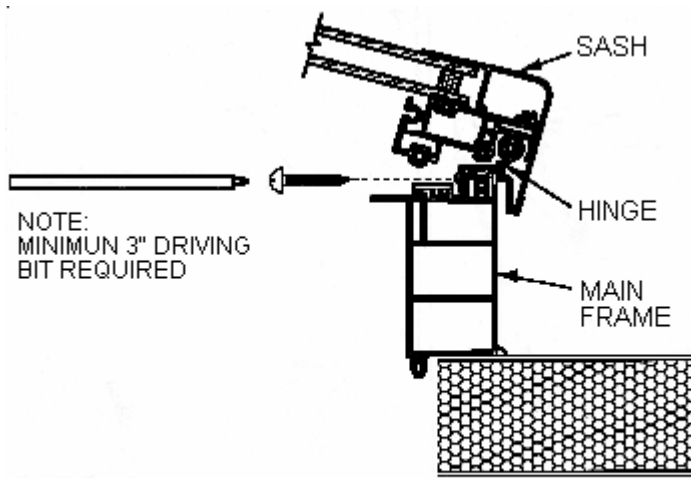
Fill screw holes with white caulk to avoid moisture accumulation.

Start caulk at the downward side of the skylight and continue all the way around.

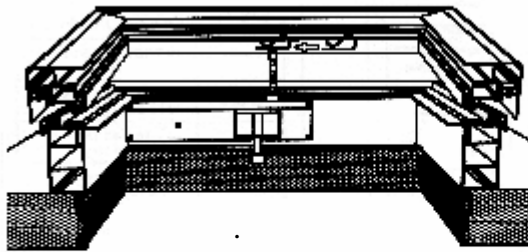
Before installing sash, make sure hardware chain link is in maximum opening position. Now you're ready to install the sash to the main frame. Hinging system is designed and cut to interior width of main frame. Lift the bottom of the sash to an open position and hinge will drop and self position sash to main frame for proper alignment.



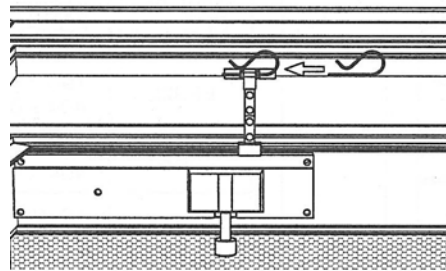
Patents Pending



Fasten sash to main frame in pre-drilled holes located on hinge using fasteners supplied.

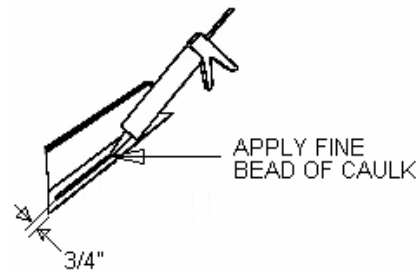


Position the hardware chain link in keeper and insert pin in place

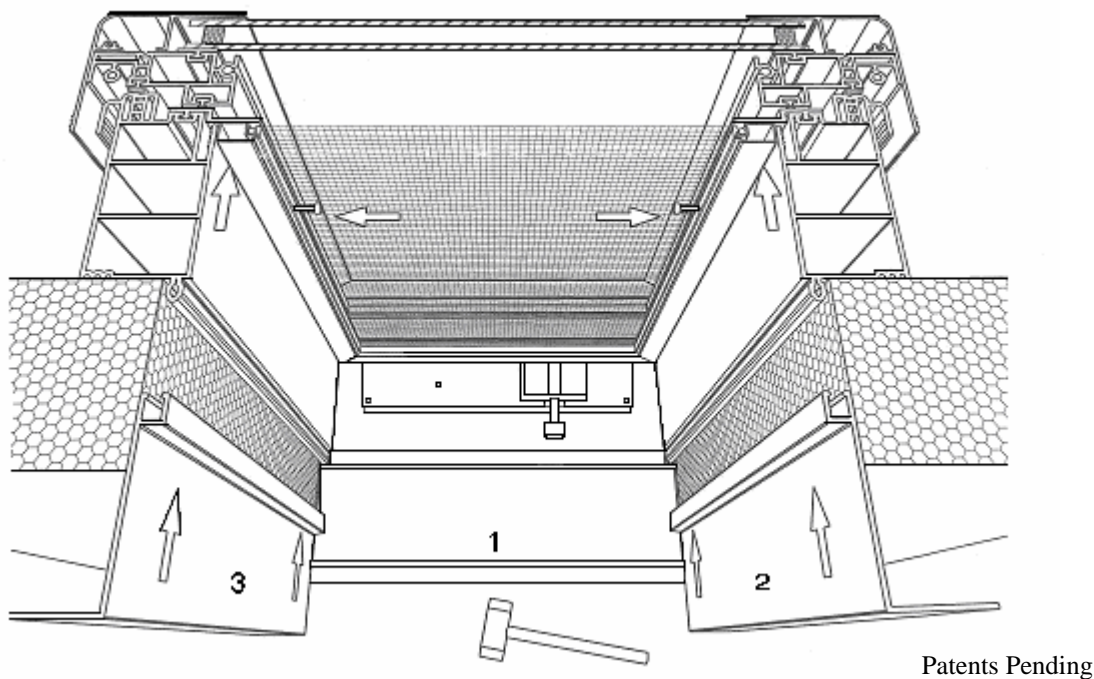


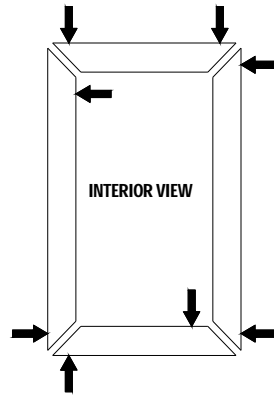
ENLARGED VIEW

Apply a fine bead silicone caulk to the bottom legs of the interior snap-on covers to avoid bowing and to assure proper alignment and adhesion to the interior of the roof panel.

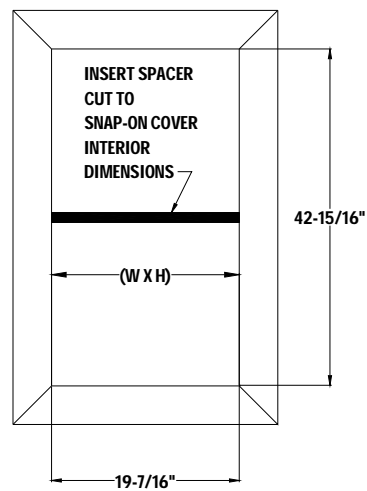


The snap-on covers are cut to exact dimensions individually fitted with sides of skylight frame. Insert interior snap-on covers using rubber mallet to avoid scuffing of vinyl in the order indicated above. Re-insert insect screen. Be sure to fully pull and hold pins inward to avoid abrasions to surface of the main frame.





Adjust mitered ends of snap-on covers if required for proper alignment.



Patents Pending

Insert the spacer cut to interior cover dimension, to avoid gaps in mitered corners and bowing covers. Do not remove spacer until caulk adheres fully to roof panel.

If necessary apply caulk to fill gaps along vertical corners.